

Inhoudsopgave

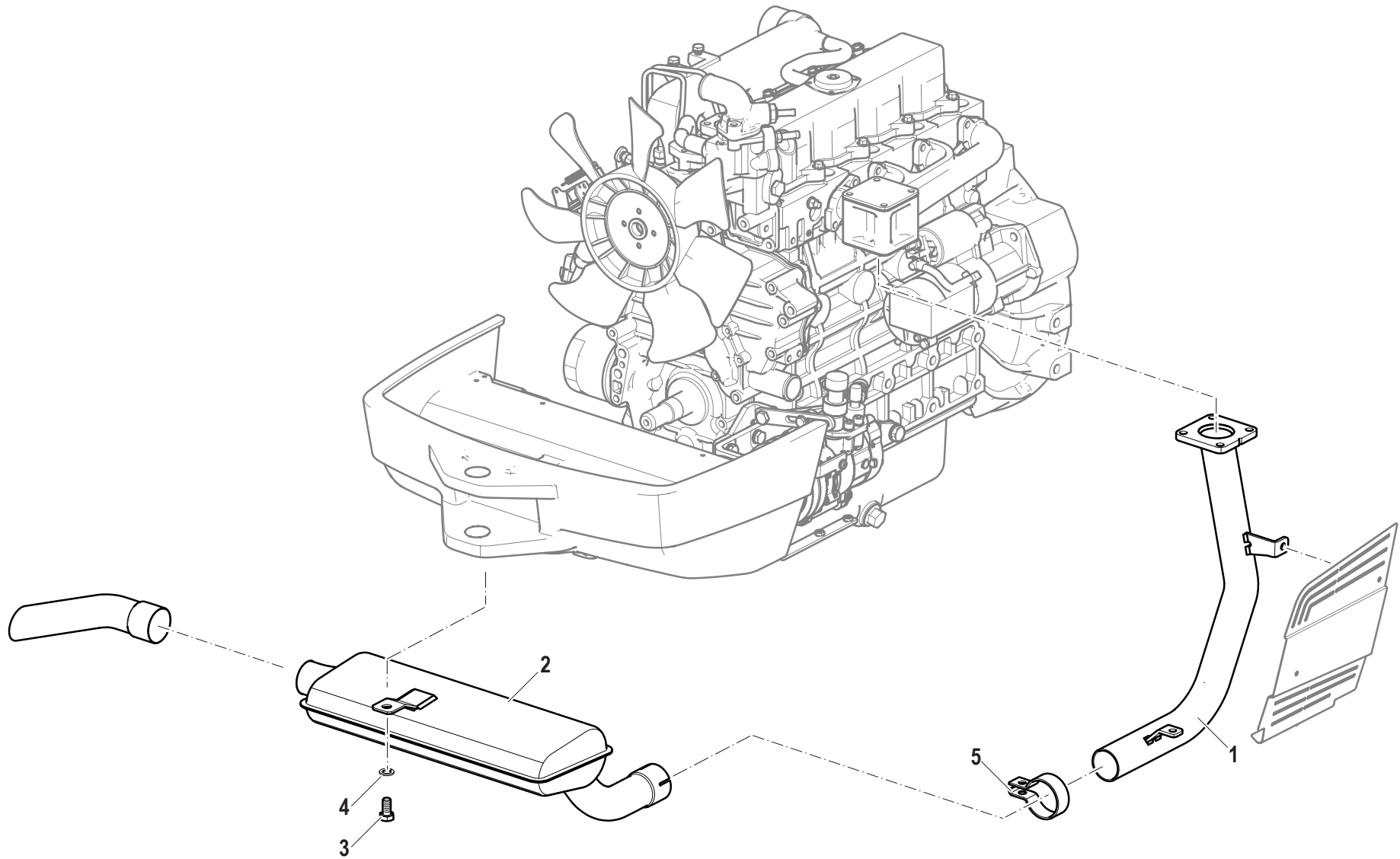
Achteras Behuizing	44
Brandstof Tank & Montage	132
Bumper & Motorkapsluiting	8
Cabine	136
Dashbord	26
Driepunt	110
Elecktrisch	86
Front Gewichten & Beugel	120
Gaskabels	126
Hydrauliek Hef	98
Hydrauliek P.T.O. & Diff. Slot	94
Hydrauliek Ventiel	100
Hydrauliek Ventielen	96
Ingaande As	50
Koppeling	48
Koppeling Pedalen	52
LuchtfILTER	130
Middenstuk & Koppeling Plaat	42
Motor	122
Motorkap	10
Oliekoeler	92
Parkeer Rem	60
P.T.O.	74
P.T.O. Koppeling	78
P.T.O. Schakeling	82
Radiator & Slangen	128
Rem Pedalen	56
Remmen Achter	54
Schakelpoken & Gaffels	70
Schakelpook & Zitting Montage	30
Stickers	24
Spatschermen Achter	20
Spatschermen Voor & Rolbeugel	12
Tandwielen	64
Uitlaat	6
Vooras Behuizing	38
Vooras Aandrijving	46
Wiel Eindaandrijving	72
Parts Index	162



Code	Description	Notes
A.06.01.L20003_0	MUFFLER	
B.01.01.L20003_0	FRONT SUPPORT	
B.02.01.L20003_0	BONNET	
B.03.01.L20003_0	FRONT MODGUARDS	
B.03.02.L20003_0	FRONT MUDGUARDS (VERSION WITH CAB)	
B.05.02.L20004_0	REAR MUDGUARDS (VERSION WITH CAB)	
B.07.01.L20003_0	PLATES AND STICKERS	
B.08.01.L20003_0	DASHBOARD	
B.09.01.L20004_0	SEAT SUPPORT / GEAR LEVERS COVER	
B.09.02.L20005_0	SEAT SUPPORT / GEAR LEVERS COVER (VERSION WITH CAB)	
C.01.01.L20003_0	FRONT AXLE	
C.02.01.L20003_0	CORPO CENTRALE	
C.03.01.L20003_0	REAR AXLE	
D.01.01.L20003_0	FRONT TRANSMISSION	
D.02.01.L20004_0	CLUTCH	
D.02.02.L20003_0	INPUT SHAFT	
D.03.01.L20004_0	CLUTCH CONTROLS	
D.04.01.L20003_0	BRAKE	
D.05.01.L20004_0	BRAKES CONTROLS	
D.06.01.L20003_0	PARKING BRAKE	
D.07.01.L20003_0	GEARS MAIN SHAFT / GEARS	
D.08.01.L20003_0	GEARS TRANSMISSION SHAFT / GEARS	
D.10.01.L20004_0	GEARBOX CONTROLS	
D.12.01.L20003_0	REDUCTION GEARS	
D.14.01.L20003_0	POWER TAKE-OFF	
D.15.01.L20003_0	PRESA DI FORZA	
D.16.02.L20004_0	POWER TAKE-OFF CONTROLS	
E.01.01.L20003_0	IMPIANTO ELETTRICO ANTERIORE	
E.02.01.L20003_0	ENGINE ELECTRIC SYSTEM	
E.03.01.L20004_0	REAR ELECTRICAL SYSTEM	
F.02.01.L20003_0	HYDR. SYSTEM : HEAT EXCHANGER	
F.04.01.L20003_0	PTO /DIFFERENTIAL LOCK HYDR. SYSTEM	
I.01.01.L20003_0	HYDR. CONTROL VALVES: AVAILABLE PARTS	
L.01.01.L20003_0	RAISE/LOWER LIFT	

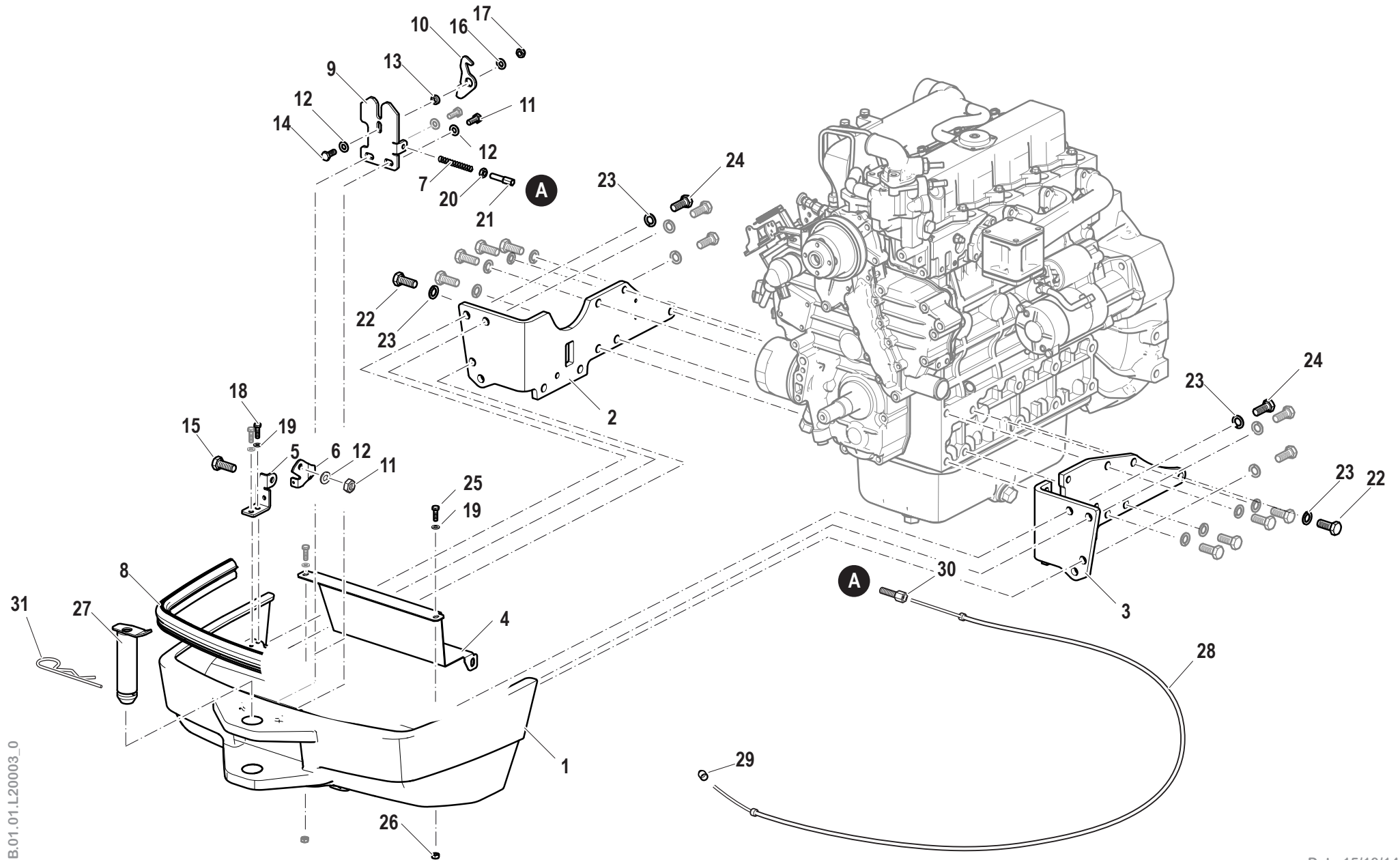


Code	Description	Notes
L.02.01.L20004_0	CONTROL VALVES	
M.01.01.L20003_0	POSITION AND DRAFT CONTROL LIFT	
M.02.01.L20004_0	POSITION AND DRAFT CONTROL LIFT	
T.01.01.L20003_0	IMPLEMENTS ATTACHMENT - STANDARD	
T.01.02.L20003_0	IMPLEMENTS ATTACHMENT WITH QUICK COUPLINGS	
T.01.03.L20003_0	IMPLEMENTS ATTACHMENT - ADJUSTABLE ARMS WITH QUICK HITCHES	
U.01.01.L20003_0	FRONT BALLASTS	
A.01.01.L20003_0	ENGINE	Engine: 60 CV
A.01.02.L20003_0	ENGINE	Engine: 60 CV
A.02.01.L20004_0	ENGINE CONTROLS	
A.03.01.L20003_0	RADIATOR	
A.04.01.L20003_0	AIR FILTER	
A.05.01.L20003_0	FUEL TANK	
A.05.01.L20003_1	FUEL TANK	
Y.01.01.L20003_0	FRAME BF8B	
Y.01.02.L20003_0	FRONT GLASS	
Y.01.05.L20003_0	UNDER-ROOF - AIR CONDITIONING - HEATING	
Y.01.05.L20003_1	UNDER-ROOF - AIR CONDITIONING - HEATING	
Y.01.06.L20003_0	TOP - AIR CONDITIONING - HEATING	
Y.01.06.L20003_1	TOP - AIR CONDITIONING - HEATING	
Y.01.07.L20003_0	TOP AND UNDER-ROOF FOR CAB	



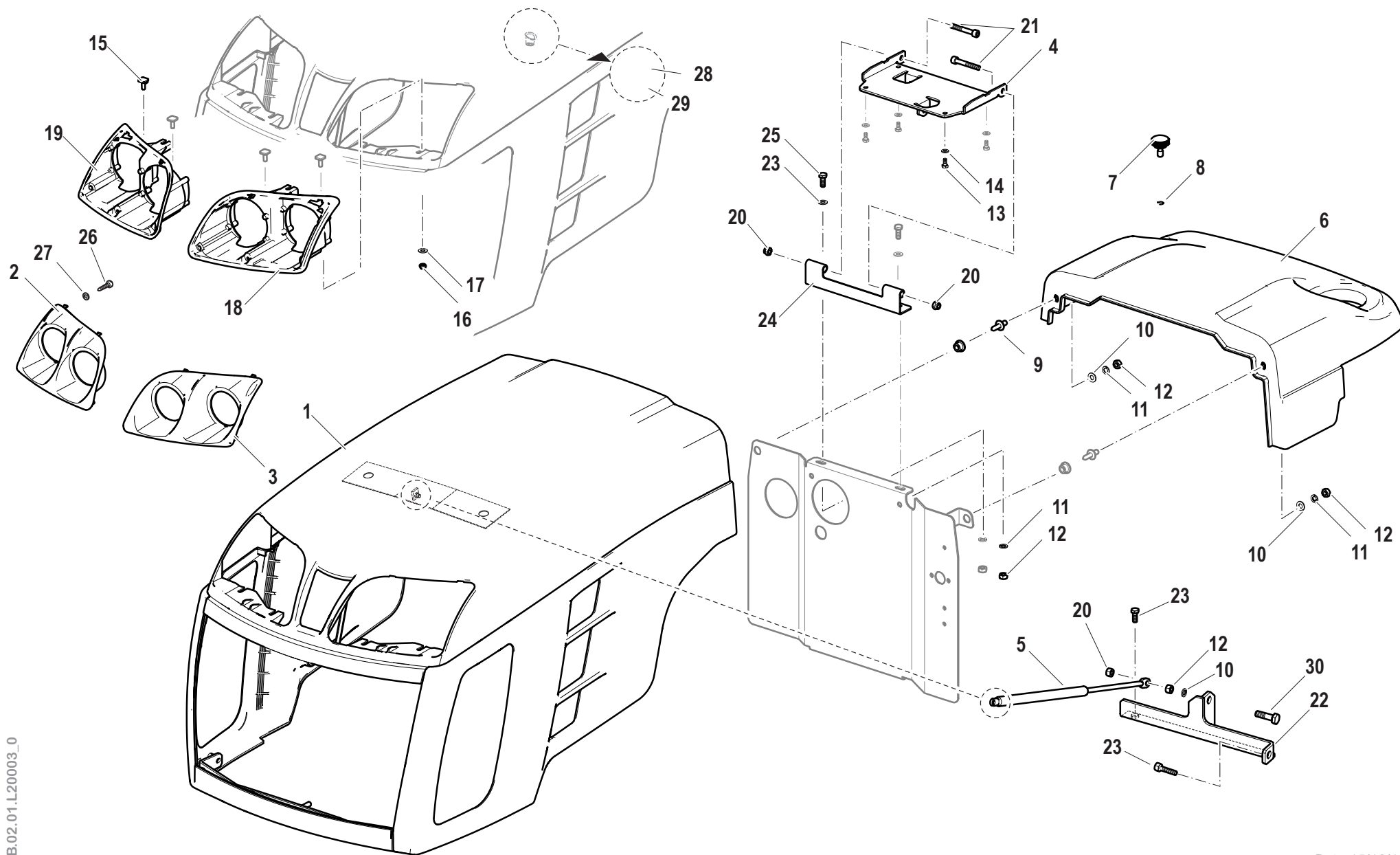
Pos.	Code	Q.ty	Description	Notes
1	590A2214	1	TUBO DI SCARICO GREZZO K60	
2	581A2213	1	SIL.SCARICO GREZZO K60-L60	
3	31112151	1	SCREW TE M8X25 UNI 5739 8G	
4	F0843643060	1	WASHER 8	
5	581A2805	1	COLLARE SILENZIATORE BeB F47	

FRONT SUPPORT

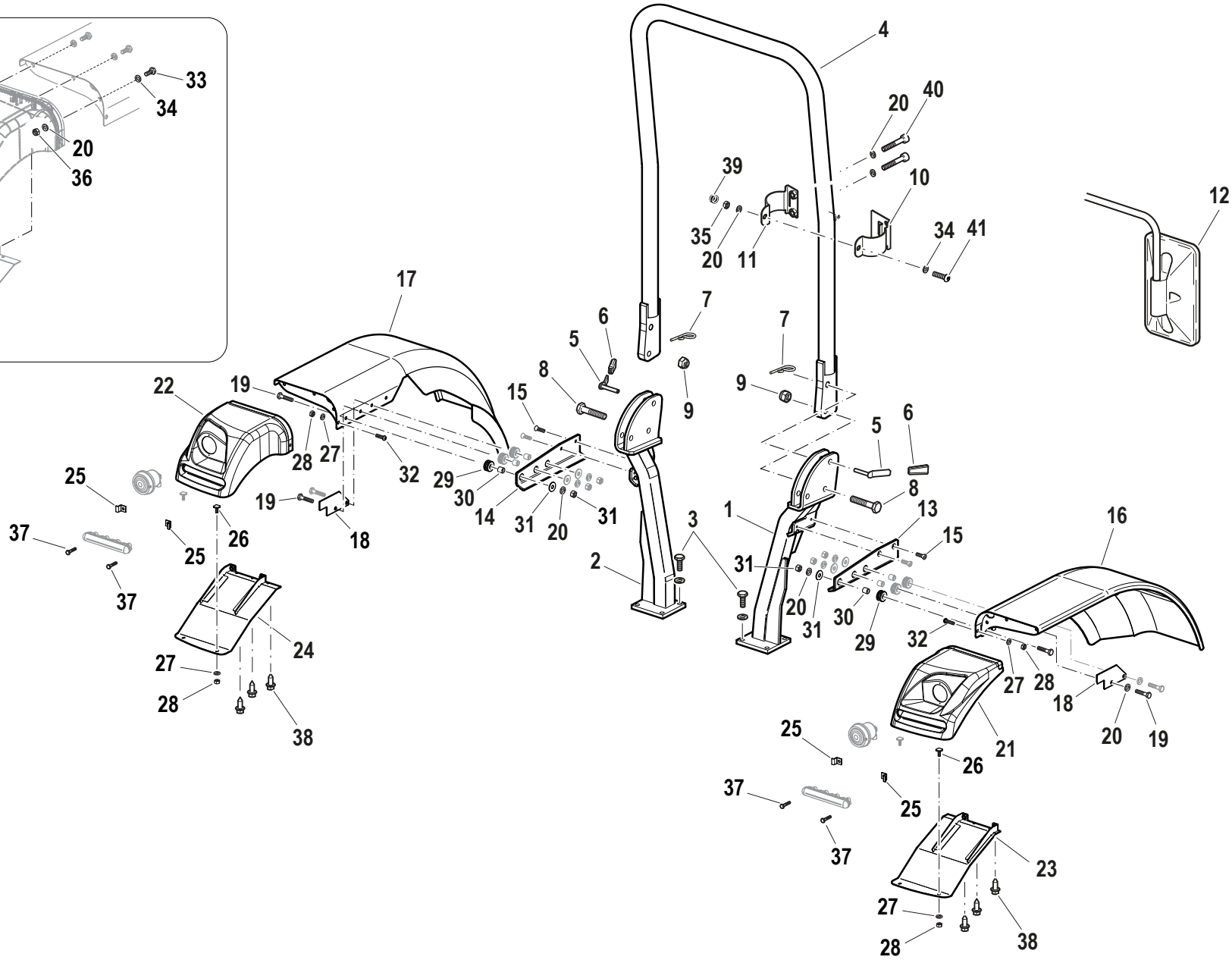
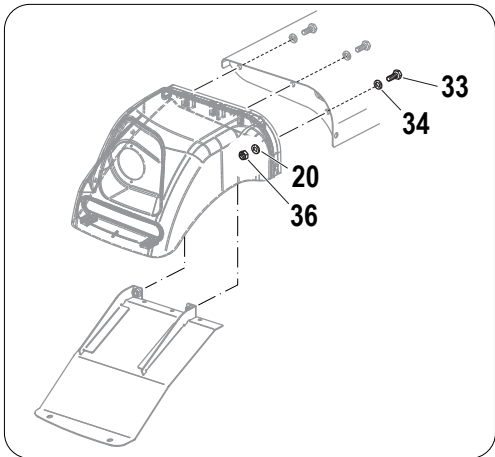


Pos.	Code	Q.ty	Description	Notes
1	511A2198N	1	FRONT SUPPORT K60-L60(A2198) -BLACK-	
2	590A2204N	1	LONGH.DX SUPP.RADIAT.K60-NERO-	
3	590A2802N	1	LONGH.SX SUPP.RADIAT.K60-NERO-	
4	561A2814	1	PARATIA ANTICAL.INFER.K60	
5	561A3069	1	SUPP.LEVA SGANCIO COF.K60-L60	
6	561A3070	1	LEVA SGANCIO COFANO K60-L60	
7	F0831065000	1	SPRING	
8	28177274	1	GASCKET RIF.182400153.945	
9	56179625	1	FIXING BRACKET	
10	56174658	1	HOOD HOOK	
11	31112150	2	SCREW TE M8X20 UNI 5739 8G	
12	31411084	2	WASHER 8,4x17	
13	56174659	1	SPACER	
14	31112151	1	SCREW TE M8X25 UNI 5739 8G	
15	31411084	1	WASHER 8,4x17	
16	31411090	1	WASHER 9x24	
17	31241080	1	HEXAGON SELFLOCK NUT M8	
18	31112082	2	SCREW TE M6X12 UNI 5739 8G	
19	F0843570000	2	WASHER 6	
20	31231080	1	NUT M8	
21	58048002	1	CLAMPING SCREW	
22	31112904	10	SCREW TE M12X1,25X30 UNI5740	
23	F0843843060	16	WASHER 12	
24	31112272	6	SCREW TE M12X30 UNI 5739	
25	31112093	2	SCREW TE M6X20	
26	31211060	2	HEXAGONAL NUT M8	
27	590A2721	1	PERNO TRAINO ANT.K30-K40-K60	
28	31112210	2	SCREW TE M10X20 UNI 5739	
29	F0843755000	2	WASHER 10	
30	590A2944	1	STAFFA INF.FISS.RADIATORE K60	

BONNET



Pos.	Code	Q.ty	Description	Notes
1	590A2220V	1	COFANO FERRARI K60-L60 VERDE	
2	55279867	1	COVER	
3	55279866	1	COVER	
4	561A2236	1	PIASTRA INCERN.COFANO K60-L60	
5	58092972	1	SPRING	
6	573A2215V	1	COPERT.SERBAT(A2215)VERDE	
7	56174835	1	KNOB	
8	35211060	1	SEEGER RING	
9	561A3068	2	PIN	
10	31411084	2	WASHER 8,4x17	
11	F0843643060	2	WASHER 8	
12	31211080	2	NUT M8	
13	31111091	4	SCREW E M6X14 UNI 5739 8G	
14	F0843570000	4	WASHER 6	
15	58079929	4	SCREW	
16	31411064	6	WASHER 6,4x12,5	
17	F0814547000	4	SELFLOCK NUT M6	
18	55279866	1	COVER	
19	55279867	1	COVER	
20	31241081	2	HEXAGON SELFLOCK NUT	
21	31152088	2	SCREW TCEI M8X55 UNI 5931	
22	F0843643060	2	WASHER 8	
23	31211080	2	NUT M8	
24	561A0084	1	HOOD HINGE	
25	31112150	2	SCREW TE M8X20 UNI 5739 8G	



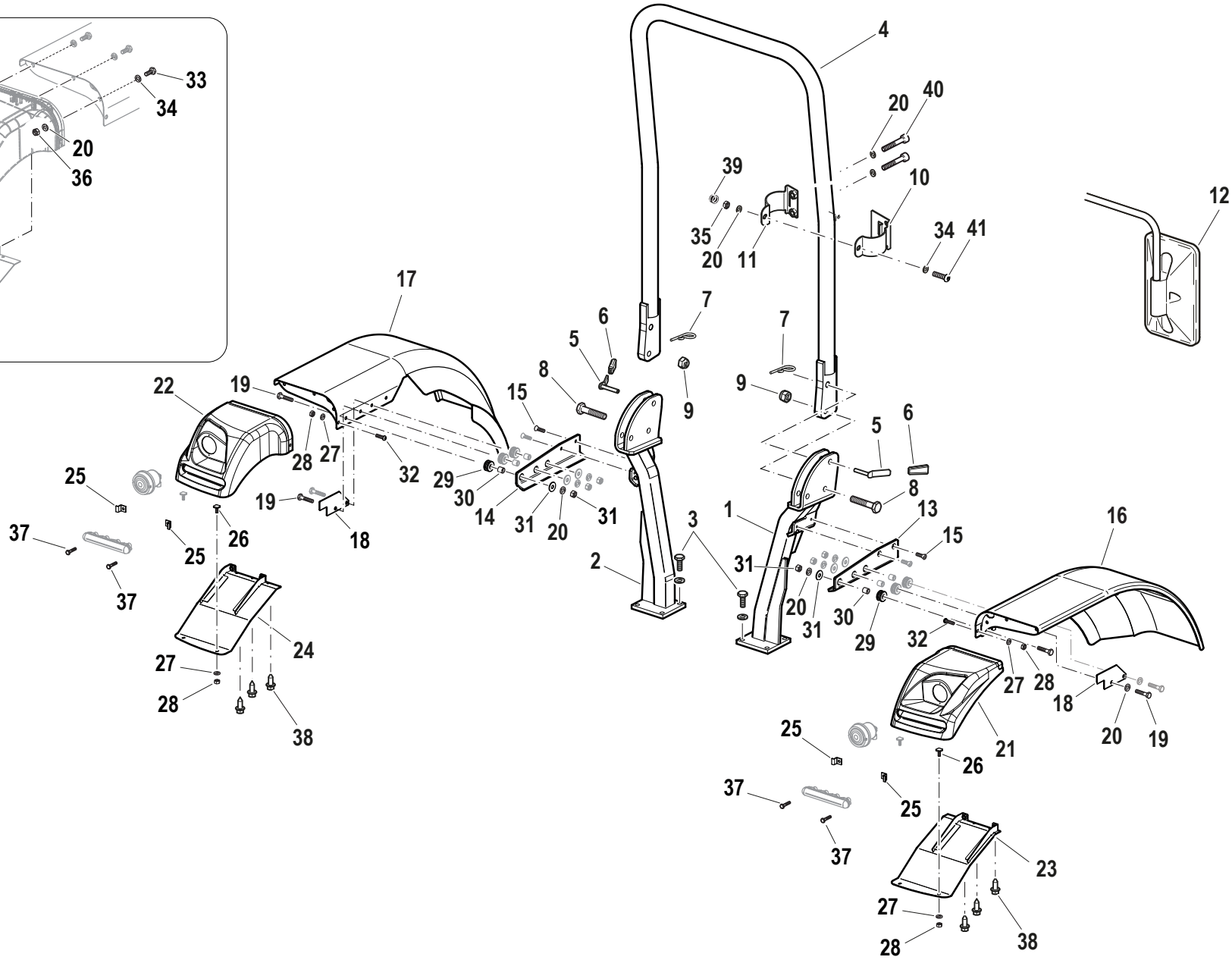
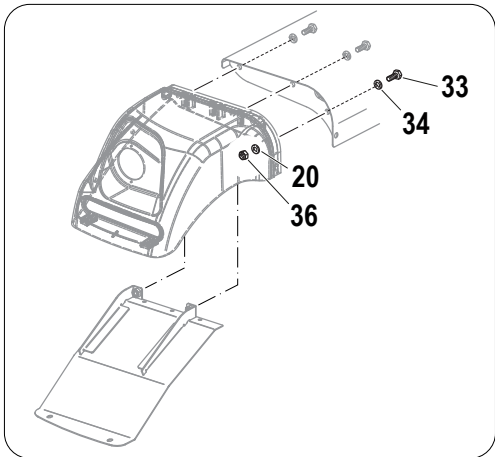
Pos.	Code	Q.ty	Description	Notes
1	59079844	1	LEFT SUPPORTING COLUMN	
2	59079845	1	RIGHT SUPPORTING COLUMN	
3	31112272	8	SCREW TE M12X30 UNI 5739	
4	590A2254N	1	FRAME	
5	59076690	2	HINGE PIN	
6	P917280000000	2	GRIP	
7	P439149000000	2	SPLIT PIN	
8	F0864377000	2	SCREW M16X70 UNI 5737	
9	F0814794000	2	SELFLOCK NUT M16 CL.6	
10	561A2371N	1	MORS.MASCHIO SPECC.RETROV.NERO	
11	590A2372N	1	MORS.FEMMINA SPECC.RETROV.NERO	
12	580A2365	1	SPECCHIO RETROVISORE 6169001	
13	561A0986	1	FIXING PLATE	
14	561A0990	1	FIXING PLATE	
15	31132565	4	SCREW TSVEI M8x16 UNI 5933	
16	590A1990V	1	LEFT FRONT FENDER	
17	590A1991V	1	RIGHT FRONT FENDER	
18	561A0393F	2	GUARD	
19	31112154	6	SCREW TE M8X40 UNI 5739 8G	
20	F0843643060	6	WASHER 8	
21	55279804	1	LAMP HOLDER	
22	55279805	1	LAMP HOLDER	
23	590A0849	1	GUARD	
24	590A0848	1	GUARD	
25	56177045	8	RETAINER	
26	58079929	8	SCREW	
27	31411064	8	WASHER 6,4x12,5	
28	F0814547000	8	SELFLOCK NUT M6	
29	55175174	6	BLOCK	
30	56171996	6	SPACER	
31	F0843708110	6	WASHER 8,4x32x2,5	
32	F0862479020	2	SCREW M8X16 7380	
33	31111151	6	SCREW TE M8X16 UNI 5739 8G	
34	31411084	6	WASHER 8,4x17	

SERIAL

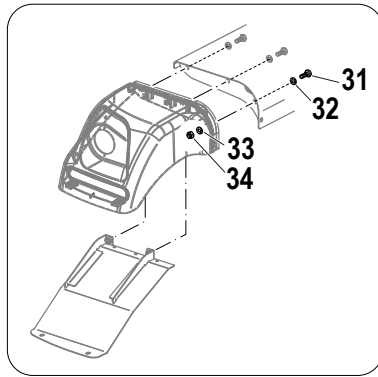
FRONT MODGUARDS


CODE REV

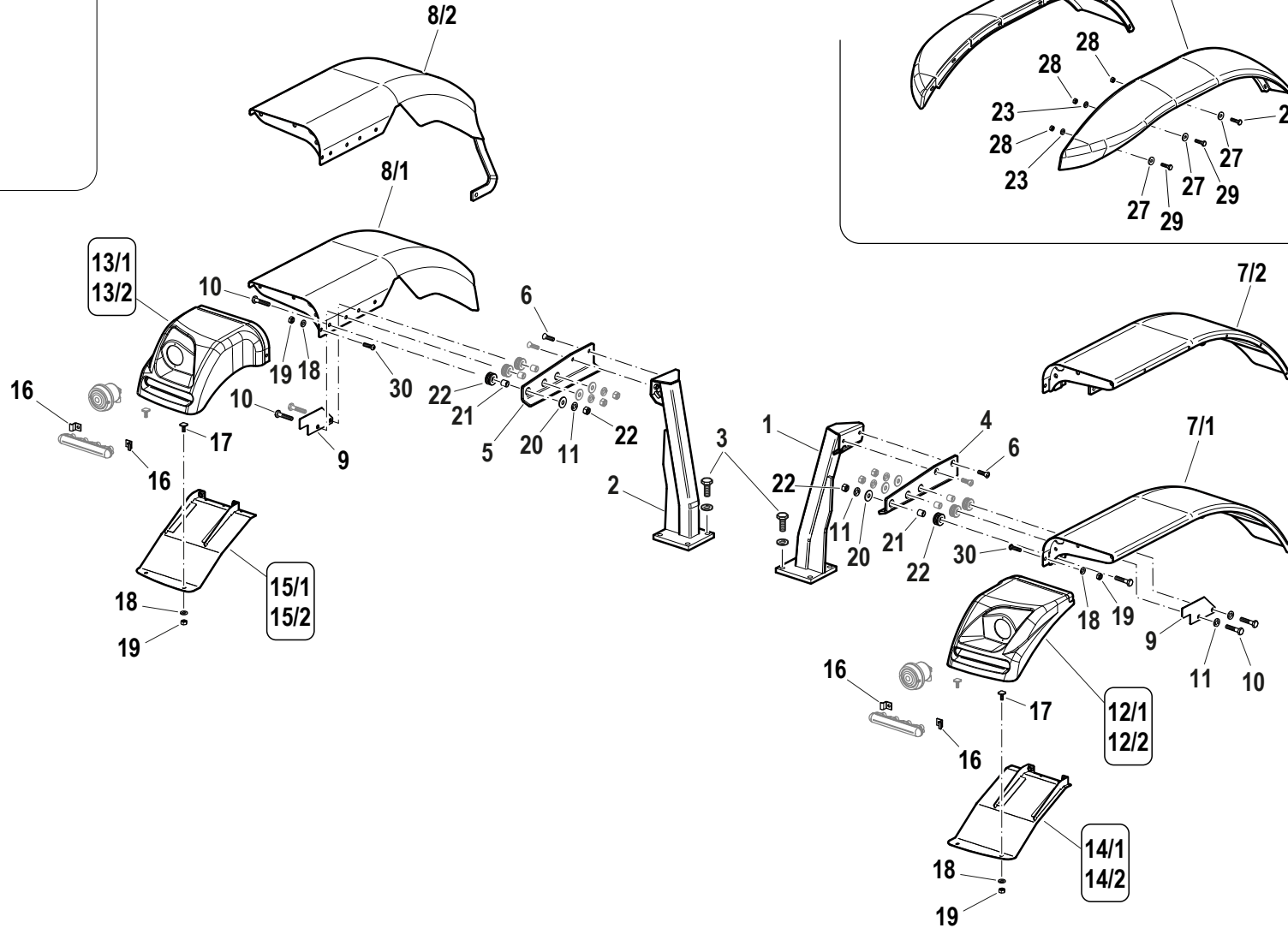
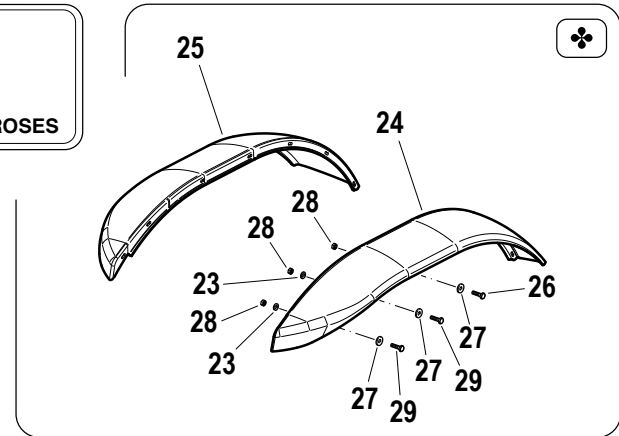
B.03.01.L20003_0



Pos.	Code	Q.ty	Description	Notes
35	F0843643060	6	WASHER 8	
36	31211080	6	NUT M8	




PROLUNGHE IN GOMMA PER PARAFANGHI
RUBBER EXTENSIONS FOR MUDGUARDS
CAOUTCHOUIC RALLONGES POUR AILES
GUMMI VERLÄNGERUNGEN FÜR KOTFLÜGEL
ALARGADORES DE GOMA POR GUARDABARROSES



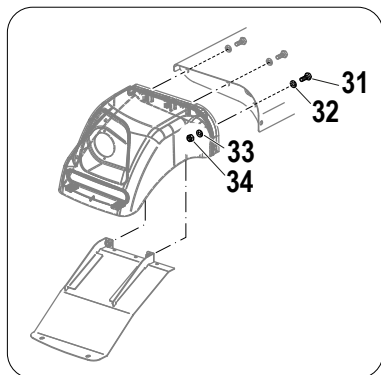
Pos.	Code	Q.ty	Description	Notes
1	590A0063	1	WING HOLDER	
2	590A0064	1	WING HOLDER	
3	31112272	8	SCREW TE M12X30 UNI 5739	
4	561A0986	1	FIXING PLATE	
5	561A0990	1	FIXING PLATE	
6	31132565	4	SCREW TSVEI M8x16 UNI 5933	
9	561A0393	2	GUARD	
10	31112154	8	SCREW TE M8X40 UNI 5739 8G	
11	F0843643060		WASHER 8	
16	56177045	8	RETAINER	
17	58079929	8	SCREW	
18	31411064	8	WASHER 6,4x12,5	
19	F0814547000	8	SELFLOCK NUT M6	
20	F0843708110		WASHER 8,4x32x2,5	
21	56171996	4	SPACER	
22	55175174	4	BLOCK	
23	31411053	4	WASHER 5,3x10	
24	573A0754	1	WING EXTENSION	
25	573A0755	1	WING EXTENSION	
26	F0861929060		SCREW M5X12 UNI 5739	
27	31411054		WASHER 5,3X15	
28	31241051		SELFLOCK NUT M5	
29	F0861934060		SCREW M5X16 UNI 5739	
30	F0862479020	2	SCREW M8X16 7380	
31	31111151	6	SCREW TE M8X16 UNI 5739 8G	
32	31411084	6	WASHER 8,4x17	
33	F0843643060	6	WASHER 8	
34	31211080	6	NUT M8	
07/1	590A2000V	1	LEFT FRONT FENDER	
07/2	590A1994V	1	LEFT FRONT FENDER	
08/1	590A2001V	1	RIGHT FRONT FENDER	
8/2	590A1995V	1	RIGHT FRONT FENDER	
12/1	55279804	1	LAMP HOLDER	
12/2	552A0771	1	LAMP HOLDER	


SERIAL

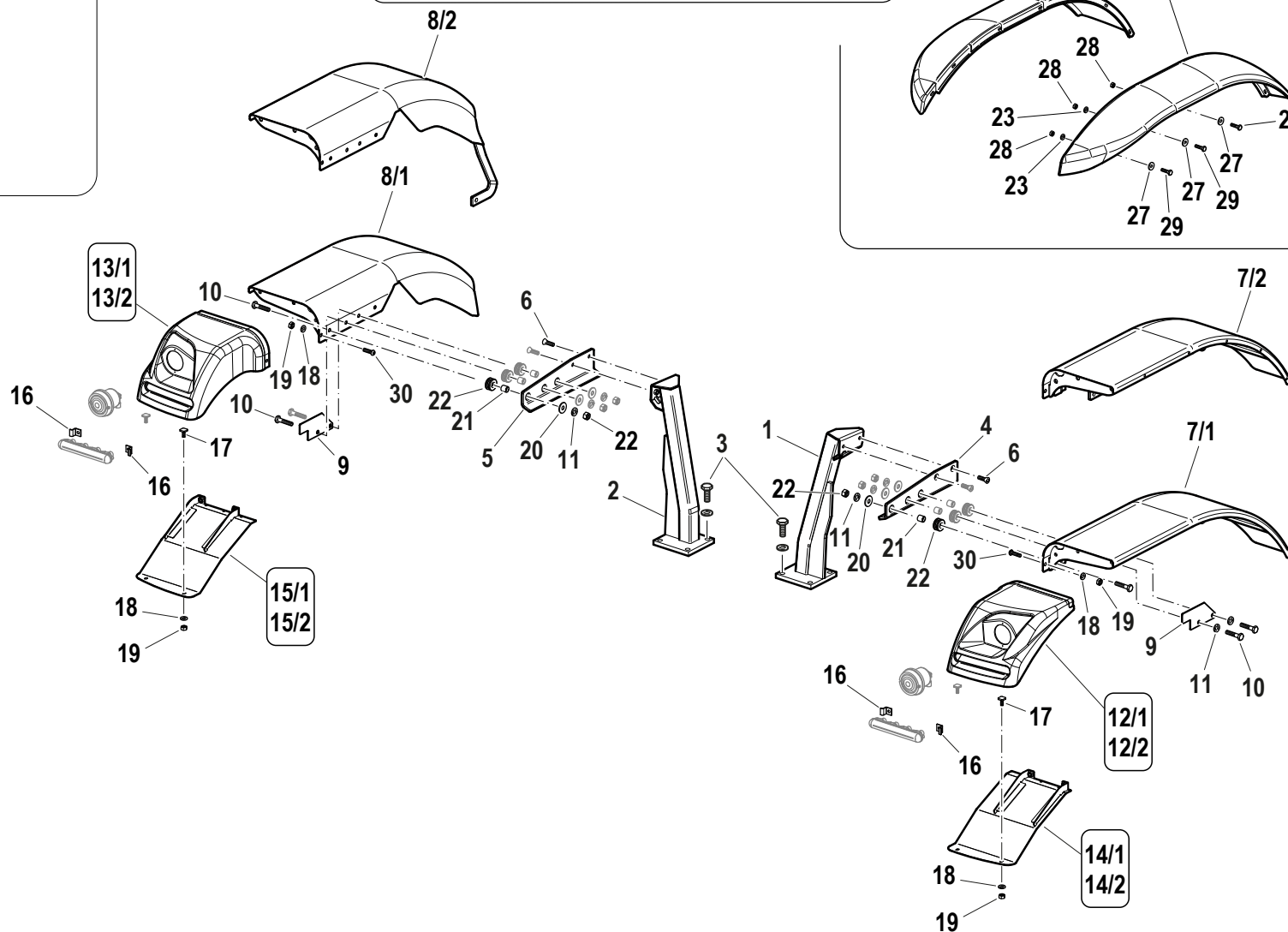
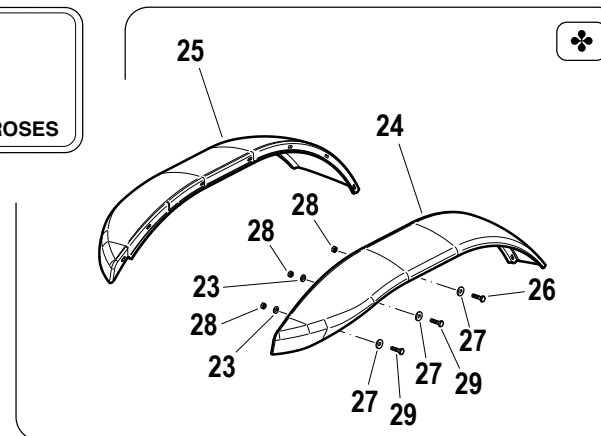
FRONT MUDGUARDS (VERSION WITH CAB)

CODE REV

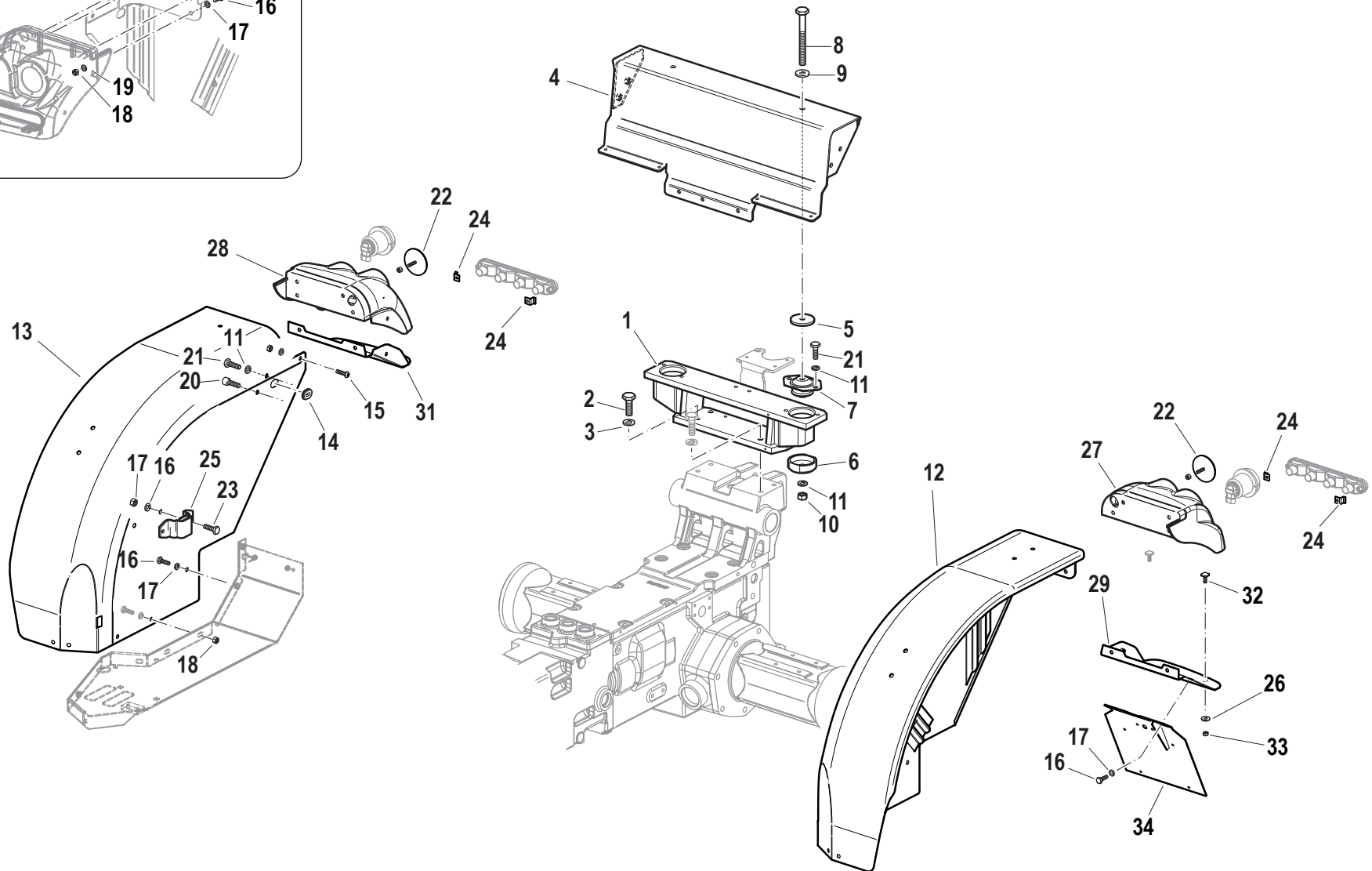
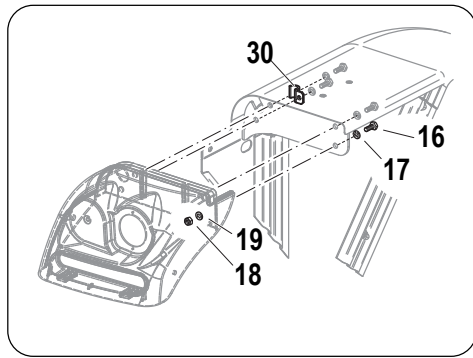
B.03.02.L20003_0




PROLUNGHE IN GOMMA PER PARAFANGHI
RUBBER EXTENSIONS FOR MUDGUARDS
CAOUTCHOUIC RALLONGES POUR AILES
GUMMI VERLÄNGERUNGEN FÜR KOTFLÜGEL
ALARGADORES DE GOMA POR GUARDABARROS



Pos.	Code	Q.ty	Description	Notes
13/1	55279805	1	LAMP HOLDER	
13/2	552A0772	1	LAMP HOLDER	
14/1	590A0849	1	GUARD	
14/2	590A1009	1	GUARD	
15/1	590A0848	1	GUARD	
15/2	590A1010	1	GUARD	



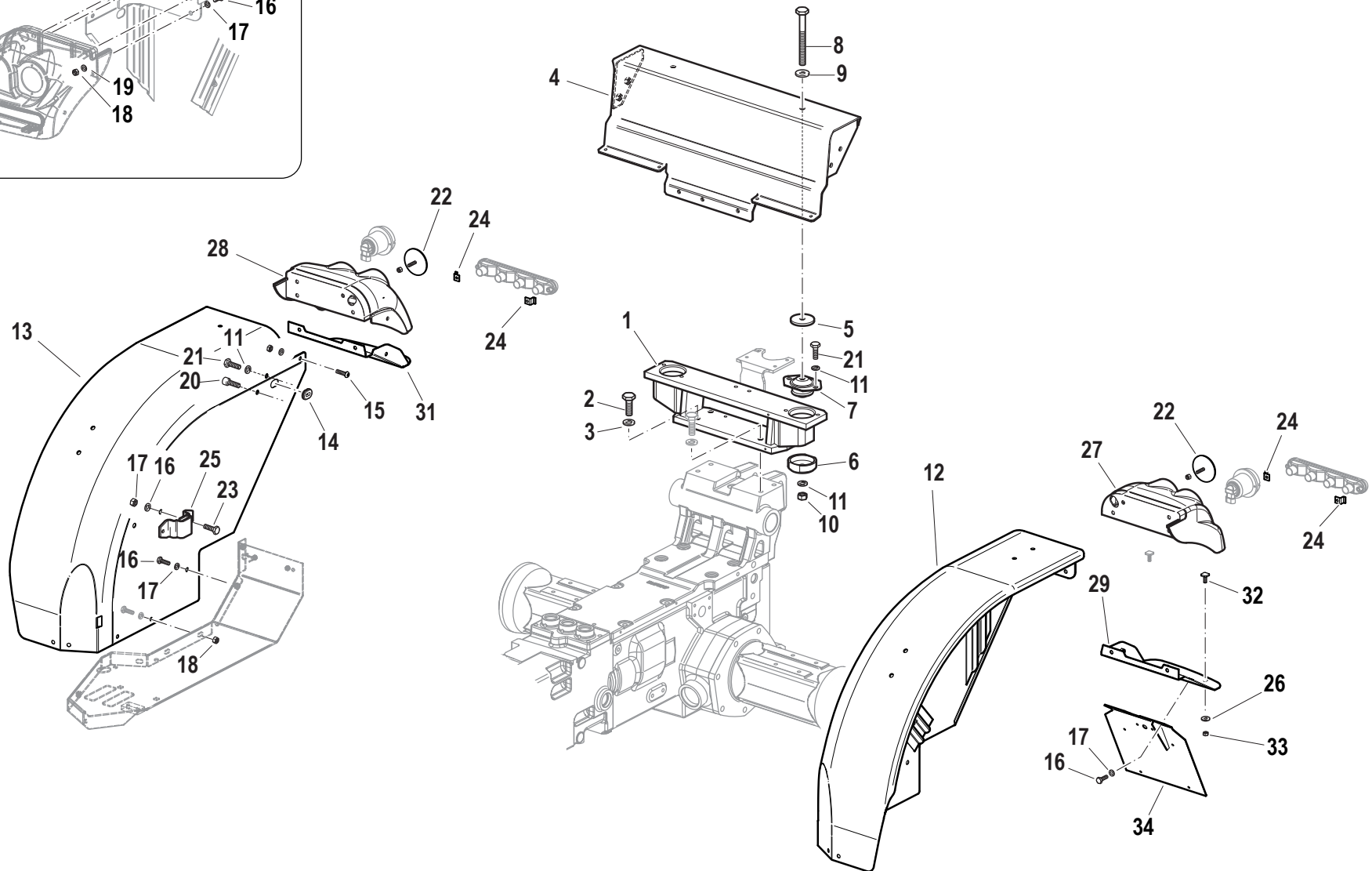
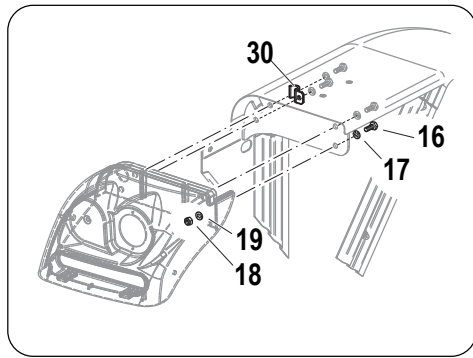
Pos.	Code	Q.ty	Description	Notes
1	590A2250	1	MENSOLA POST.K60-V65-CAB-	
2	31112264	4	SCREW TE M12X35 UNI 5739	
3	F0843843060	4	WASHER 12	
4	590A2335V	1	TR.POST.K60-V65RSR(A2335)VERDE	
5	561A0432	2	WASHER 45x11/3	
6	56177222	2	STOP	
7	58176233	2	SILENT-BLOCK	
8	31112285	2	SCREW TE M12x125 UNI 5737	
9	31411130	2	WASHER 13x24	
10	31221120	2	NUT M12	
11	F0843843060	2	WASHER 12	
12	590A1997V	1	PAR.POS.SX(A1997)VERDE GM2RSAR	
13	590A1996V	1	PAR.POS.DX(A1996)VERDE GM2RSAR	
14	58171901	2	CABLE GLAND 15,5-24-32-2	
15	F0862479020	4	SCREW M8X16 7380	
16	31111151	8	SCREW TE M8X16 UNI 5739 8G	
17	F0843643060	8	WASHER 8	
18	31211080	6	NUT M8	
19	31411084	6	WASHER 8,4x17	
20	31152098	2	SCREW TCEI M10X20 UNI 5931	
21	31112210	2	SCREW TE M10X20 UNI 5739	
22	58177330	2	REFLECTOR	
23	F0862129000	1	SCREW M6X18 UNI 5739 8.8	
24	56177045	4	RETAINER	
25	F0843570000	8	WASHER 6	
26	31411064	8	WASHER 6,4x12,5	
27	55279806	1	LAMP HOLDER	
28	55279807	1	LAMP HOLDER	
29	590A0057	1	COVER	
30	F0825414000	1	CABLE GLAND 7-15-18,5-2,5	
31	590A0058	1	COVER	
32	58079929	8	SCREW	
33	F0814547000	8	SELFLOCK NUT M6	
34	590A0059	1	LICENCE PLATE HOLD	

SERIAL

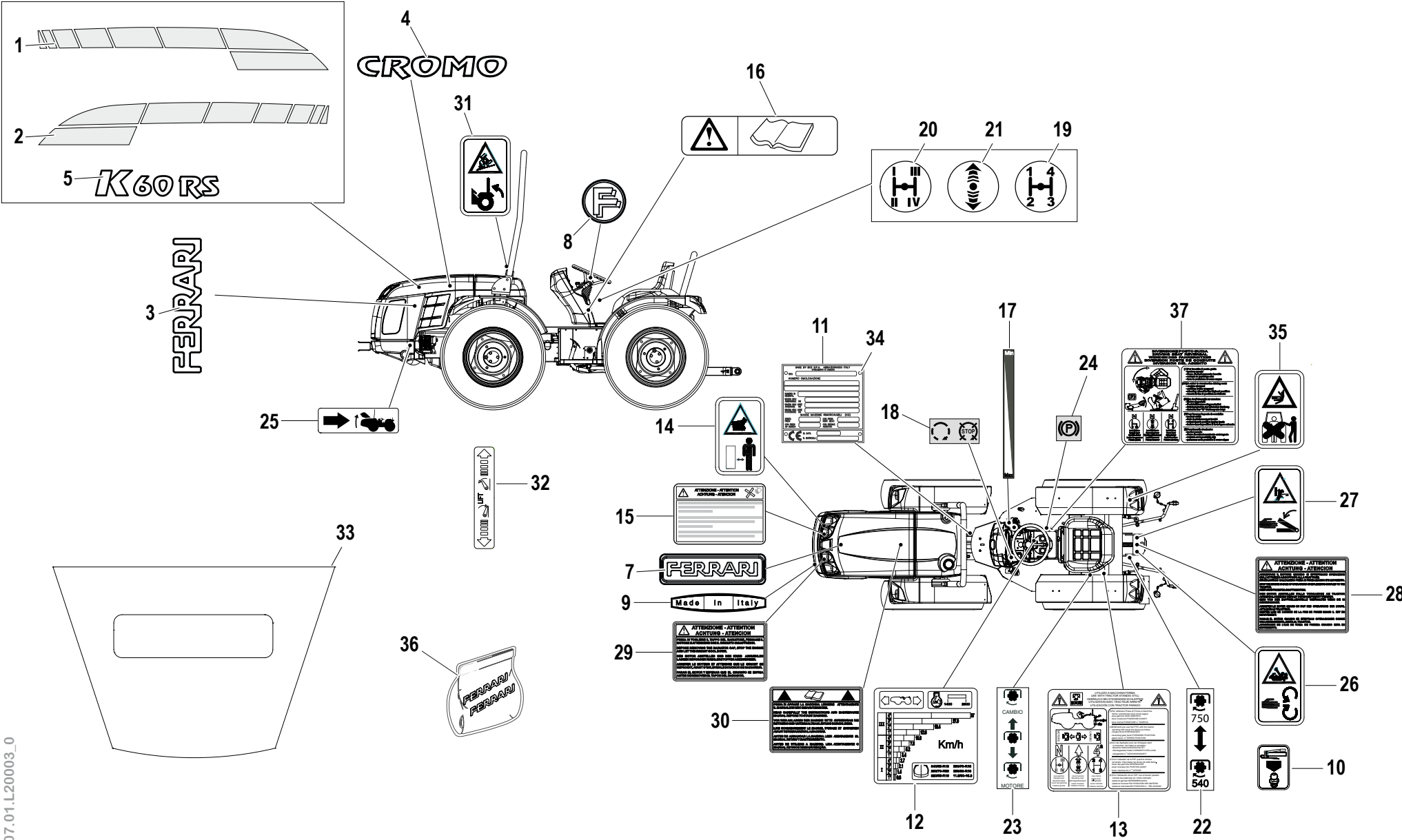
REAR MUDGUARDS (VERSION WITH CAB)

CODE REV

B.05.02.L20004_0

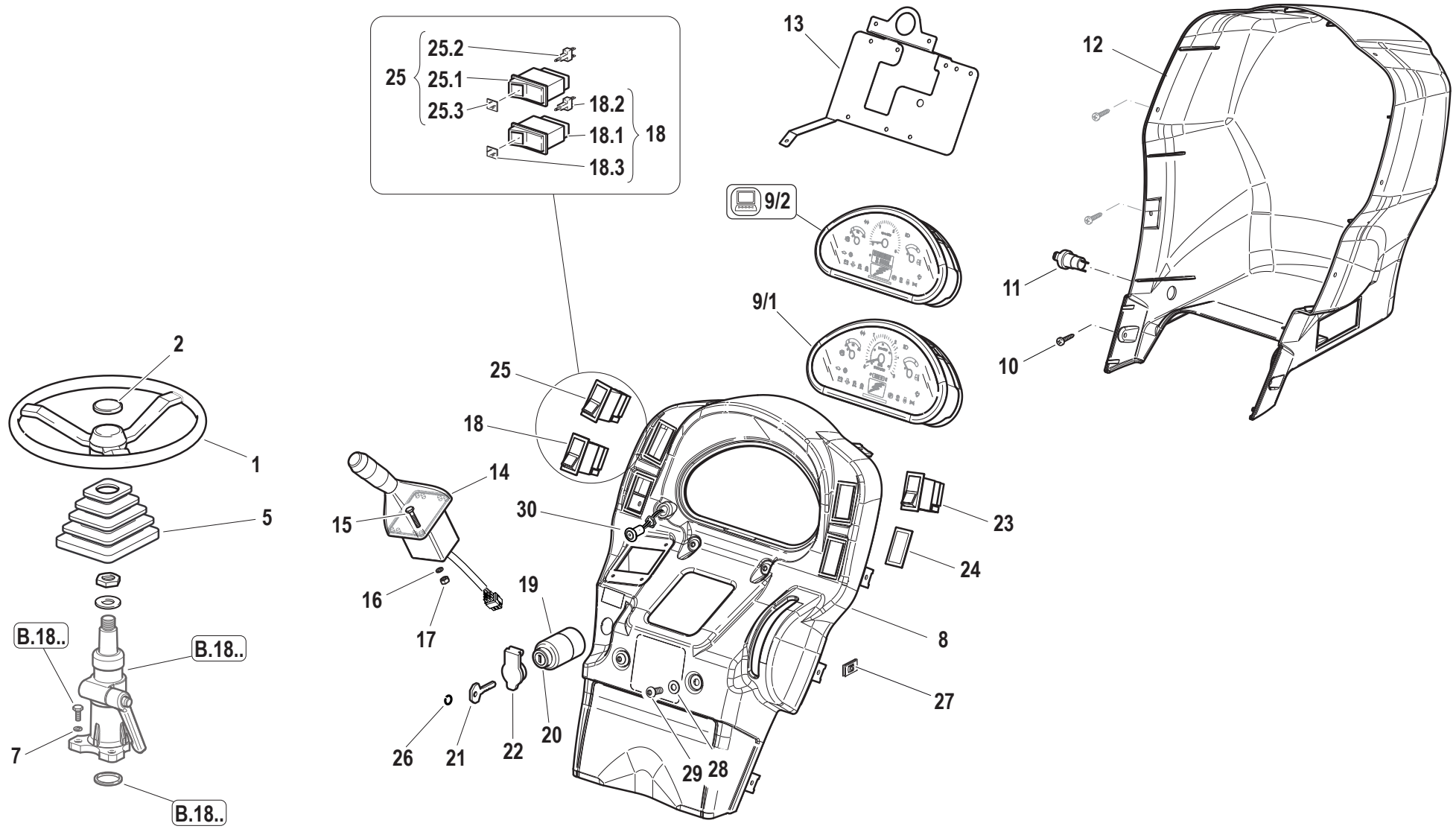


Pos.	Code	Q.ty	Description	Notes
35	59070592	1	LEVER BEARING	
36	31112208	2	SCREW TE M10X16 UNI 5739	
37	31411105	2	WASHER 10,5x21	
38	31212100	2	NUT M10	
39	590A1919N	1	STAFFA DX G.RAPIDI 55-65-NERA-	
40	590A0091	1	STAFFA SX SUPP.G.RAP.55-65	



B.07.01.L20003_0

Pos.	Code	Q.ty	Description	Notes
1	580A2865	1	DECAL	
2	580A2864	1	DECAL	
3	580A2895	2	DECAL	
4	580A3121	2	DECAL	
5	580A2867	2	DECAL	
7	580A2171	1	DECAL	
8	580A1121	1	DECAL	
9	580A2179	1	DECAL	
10	580A1023	1	PLATE	
11	580A3133	1	DECAL	
12	58076077	1	DECAL	
13	580A1016	1	DECAL	
14	580A1039	1	FAN WARNING PLATE	
15	58074880	1	PLATE	
16	58077047	1	DECAL	
17	58072511	1	INSTRUCTION PLATE	
18	580A1581	1	DECAL	
19	580A1580	1	DECAL	
20	580A1583	1	DECAL	
21	58072573	1	PLATE	
22	58072575	1	PLATE	
23	58072510	1	INSTRUCTION PLATE	
24	58074841	1	DECAL	
25	580A0572	1	DECAL	
26	580A0285	1	DECAL	
28	580A1038	1	PLATE	
29	58173775	1	PLATE	
30	580A1605	1	DECAL	
31	580A1037	1	PLATE	
32	580A1606	1	DECAL	
33	580A1607	1	DECAL	
34	580A1609	4	DECAL	



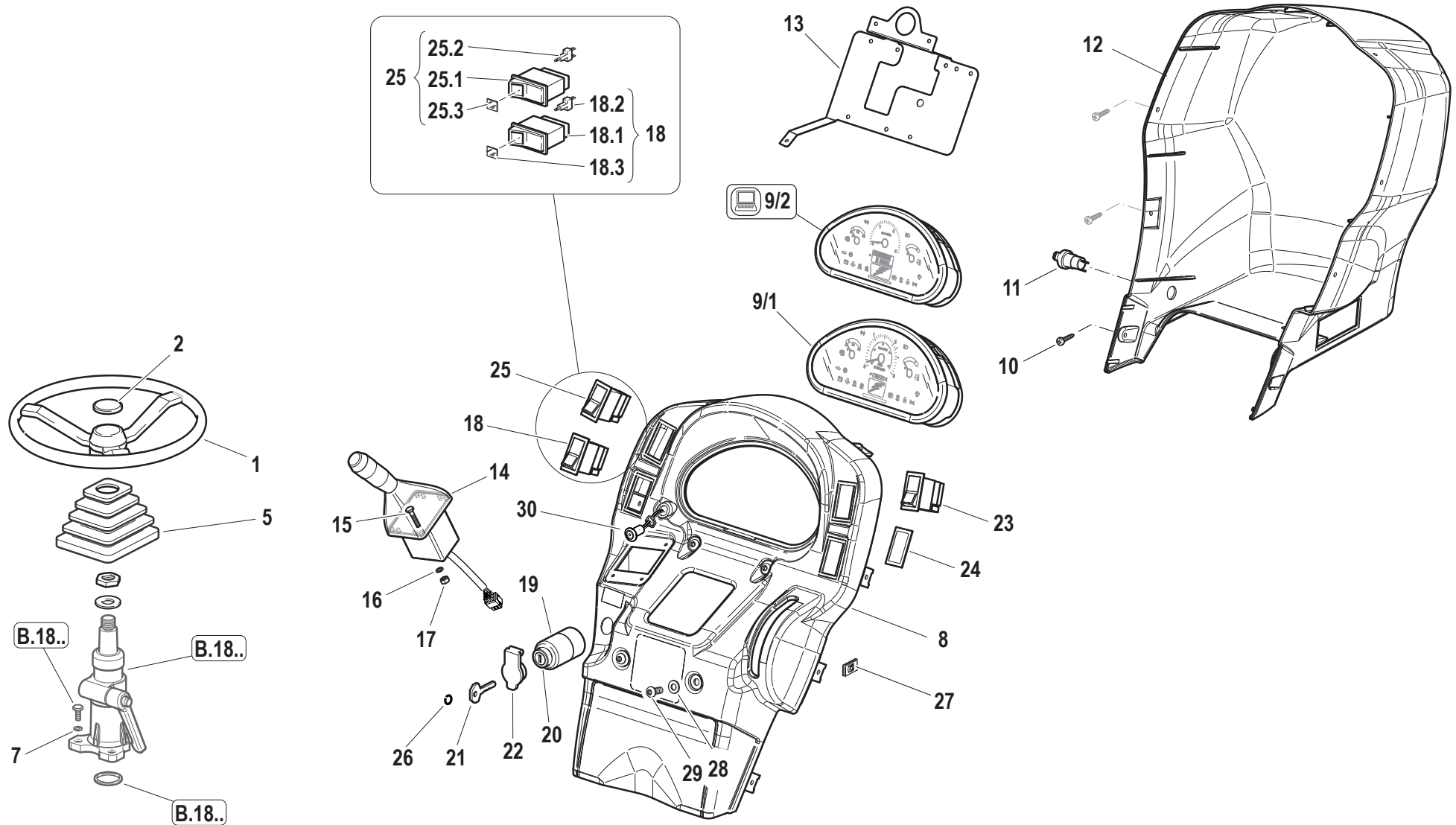
Pos.	Code	Q.ty	Description	Notes
1	F0865040000	1	STEERING WHEEL	
2	F0865040020	1	PLUG	
4	56177086	1	CENTERING	
5	P238105000000	1	BELLOWS	
6	31112219	4	SCREW TE M10X25 UNI 5739	
7	F0843755000	4	WASHER 10	
10	31510096	8	RIBBED SCREW 4,2X16	
13	561A1007	1	SUPPORT	
14	58173345	1	STEERING COLUMN SWITCH UNIT	
15	31111084	4	SCREW TE M4X16 UNI 5739 8G	
16	F0843526000	4	WASHER 4,3x12/1,5	
17	31211040	4	NUT M4	
18	58176593	1	SWITCH	
19	30000797	1	CHANGE OVER SWIT	
20	F0825500210	1	RING NUT	
21	580A2134	2	IGNITION KEY	
22	F0825400060	1	COVER	
23	F0825115010	1	PUSH-BUTTON	
24	58172043	1	FRONT GRILLE	
27	F0825403050	1	SOCKET	
28	581A0029	1	BRIDLE	
25.1	58177268	1	CHANGE-OVER SWITCH	
25.2	58173120	1	GLASS	
25.3	58173119	1	PILOT LIGHT 12V	
26.1	58173116	1	CHANGE-OVER SWITCH	
26.2	58173121	1	GLASS	
26.3	58173119	1	PILOT LIGHT 12V	
03-feb	581A0379	1	UNIT	
03-gen	58177087	1	SMALL COLUMN	
08-feb	552A0542	1	INSTRUMENT PANEL	
08-gen	55279820	1	INSTRUMENT PANEL	
09-feb	581A3053	1	STRUM.DIGITALE 05410054.02	
09-gen	581A3051	1	STRUM.ANALOGICO 05400114.02	
12-apr	573A2267	1	PL.POST.CRUSC.55-65RS-M-JOY-	

SERIAL

DASHBOARD

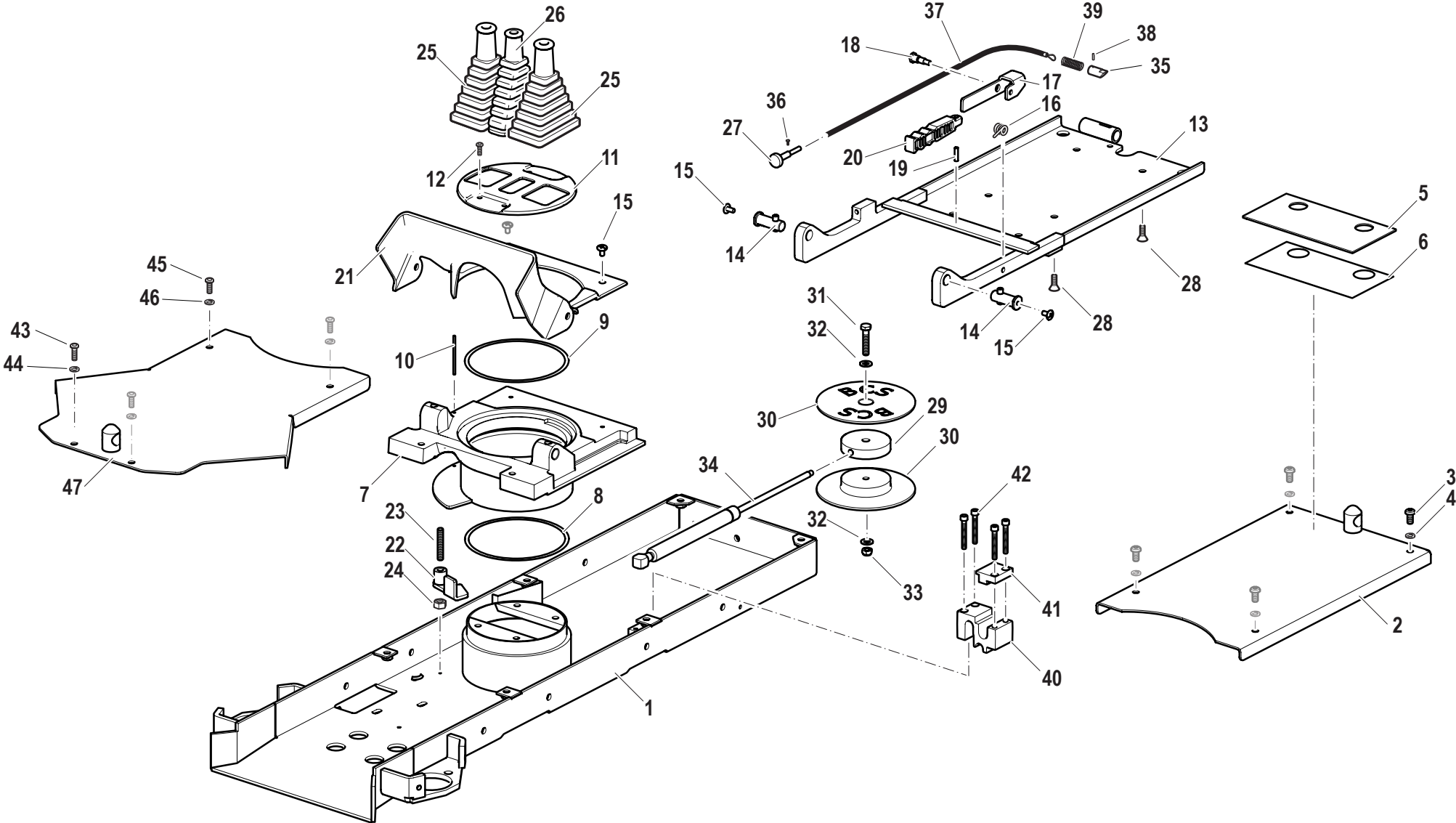
CODE REV

B.08.01.L20003_0



Pos.	Code	Q.ty	Description	Notes
12-feb	573A0784	1	INSTRUMENT PANEL	
12-gen	55279823	1	INSTRUMENT PANEL	
12-mar	55279821V	1	PL.POST.CRUSC(79821)VERDE	

SEAT SUPPORT / GEAR LEVERS COVER



Pos.	Code	Q.ty	Description	Notes
1	590A2316	1	SC.CON.TUBI/CAVI K60-V65-REV-	
2	590A2339V	1	COP.POST.SCAT.(A2339)VERDE	
3	F0862479020	4	SCREW M8X16 7380	
4	31411084	4	WASHER 8,4x17	
5	573A2622	1	TAPP.SUPP.SEDILE K60-65-REV-	
6	580A2623	1	BIADES.FT349 TAPP.SUPP.SED.GM	
7	590A2344	1	TORR.GIREV.COMPL.K60-V65-REV-	
8	573A0356	1	GASKET	
9	57374545	1	GASKET	
10	34221005	1	CYL. PLUG m6 D.3x60 DIN 6325	
11	593A0864	1	FLANGE	
12	F0863208050	4	SCREW M10X20 UNI 5933	
13	590A2348	1	SUPP.SEDILE K60-V65-REV-	
14	561A2353	2	PERNO INC.SUP/SED.K60-V65-REV-	
15	F0861973100	4	SCREW M6X12 COMBI	
16	58074488	1	SPRING	
17	563A2358	1	PERNO INC.SUP.SED.K60-V65-REV-	
18	561A2357	1	STAF.BL.SUPP.SED.K60-V65REVgrz	
19	34211028	1	ROLL PIN	
20	58070390	1	SEAT SPRINGS	
21	573A2364	1	COP.TORRETTA GIREVOLE K60-V65	
22	590A2648	1	STAF.COM.DIS.INV.FLUS.K6065grz	
23	31312087	1	PRIG.M8x40 UNI 5911 8.8 ZNT/B	
24	31241081	1	HEXAGON SELFLOCK NUT	
25	551A1602	2	RUBBER COVER	
26	551A1601	1	RUBBER COVER	
27	560A0440	1	HANDLE	
28	31132566	4	SCREW TSVEI M8X20 UNI 5933	
29	573A0291	1	INTERNO PULEGGIA 55-65-REV-	
30	573A1949	2	PULEGGIA K60-65-REV-	
31	F0862785000	1	SCREW	
32	31411084	2	WASHER 8,4x17	
33	31241081	1	HEXAGON SELFLOCK NUT	
34	581A2708	1	MOLLA A GAS(7000015748A0)	

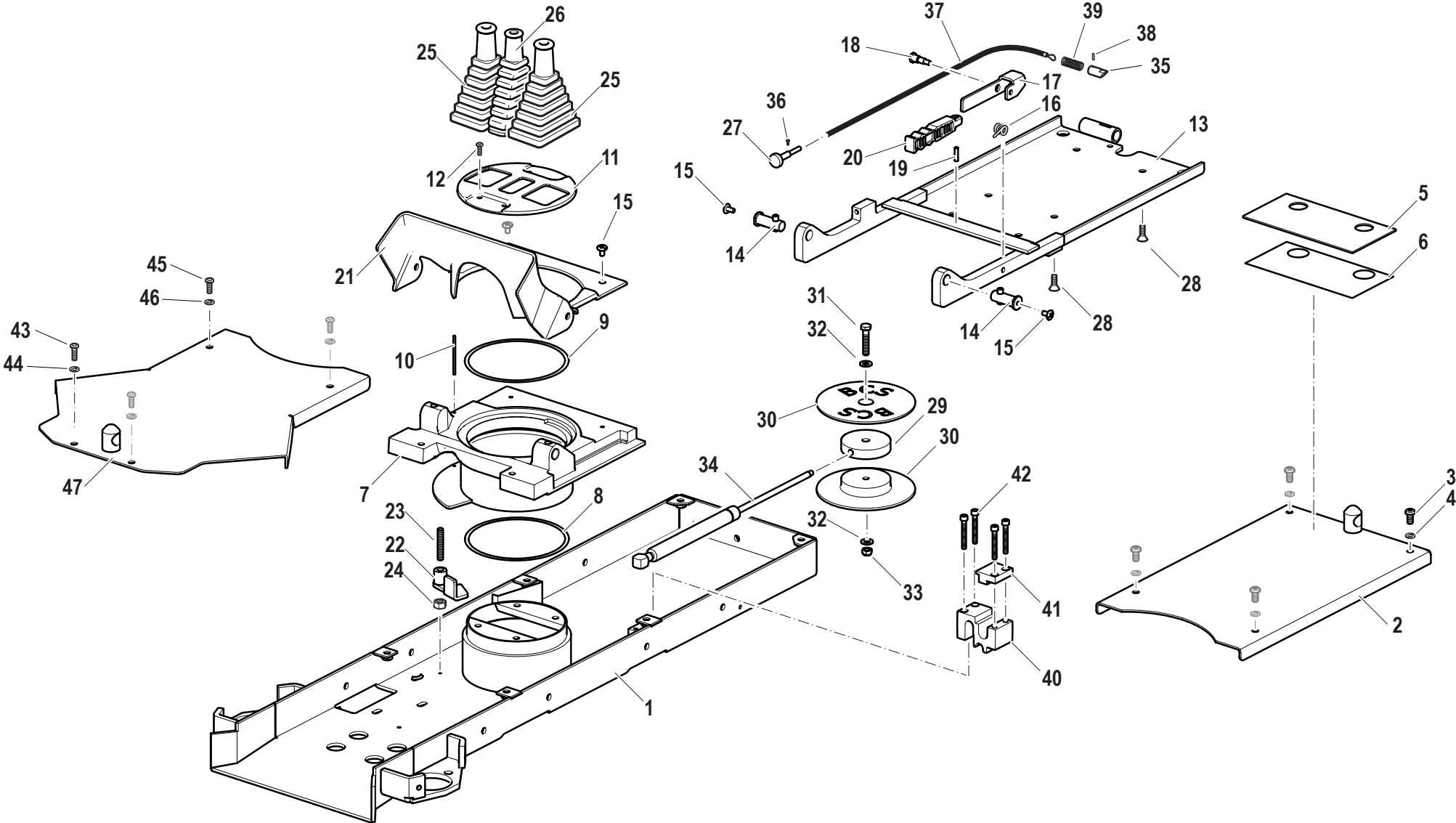
SERIAL

SEAT SUPPORT / GEAR LEVERS COVER

CODE REV

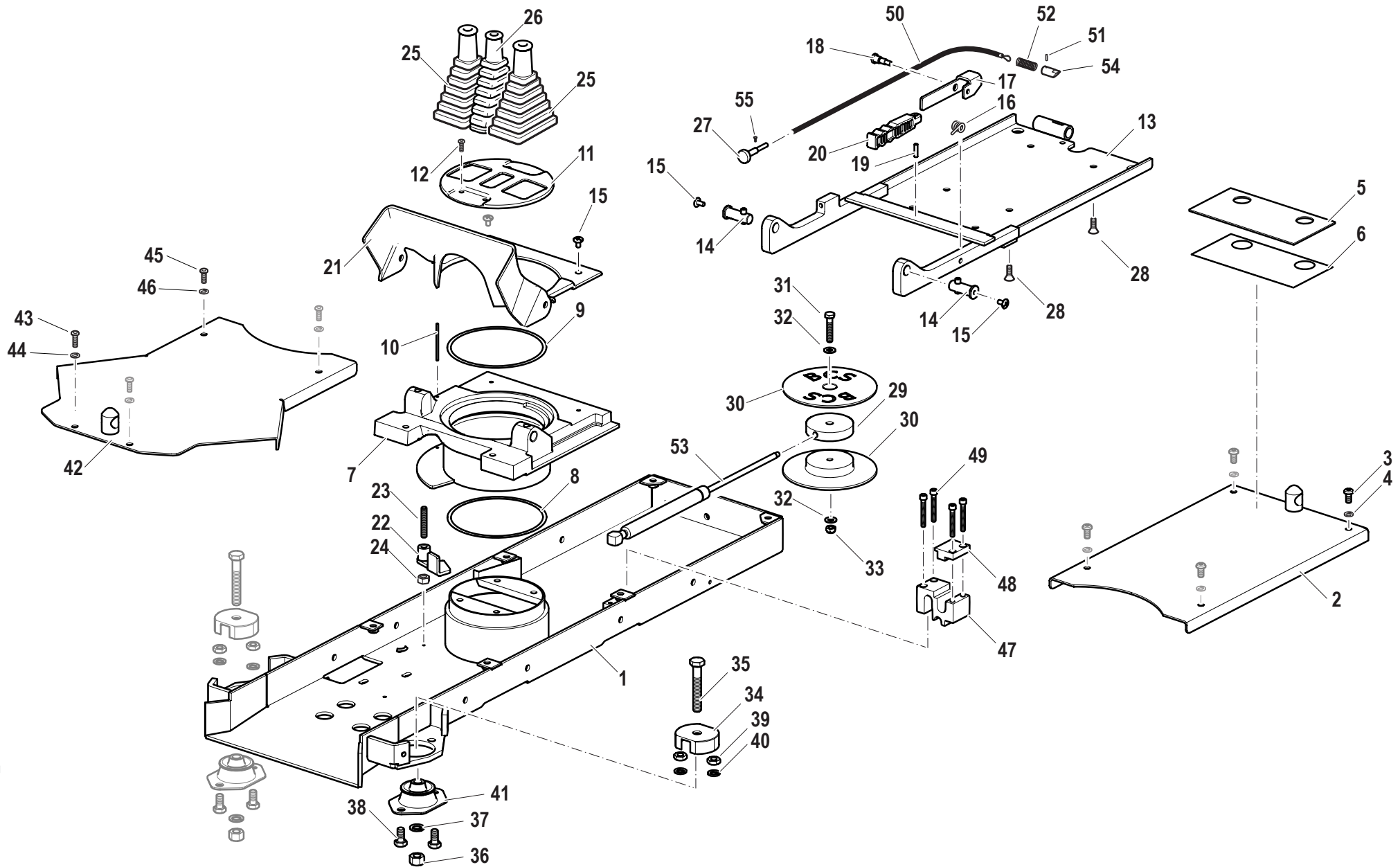
B.09.01.L20004_0

SEAT SUPPORT / GEAR LEVERS COVER



Pos.	Code	Q.ty	Description	Notes
35	563A2356	1	PERNO BL.SEDILE K60-V65-REV-	
36	31112047	1	SCREW TE M4X6 UNI 5739 8G	
37	580A2681	1	STEEL CABLE FOR TRACTOR K60-65 REV	
38	34211028	1	ROLL PIN	
39	58070390	1	SEAT SPRINGS	
40	530A2299	1	PROFILED SMALL BLOCK HAUSE	
41	56174773	1	COVER	
42	31152066	4	SCREW TCEI M6X45 UNI 5931	
43	31121007	2	SCREW BCEI M8X20 ISO7380	
44	F0843643060	2	WASHER 8	
45	F0862479020	2	SCREW M8X16 7380	
46	31411084	4	WASHER 8,4x17	
47	590A2387V	1	COP.ANT.SCA.RS-AR(A2387)VERDE	

SEAT SUPPORT / GEAR LEVERS COVER (VERSION WITH CAB)



Pos.	Code	Q.ty	Description	Notes
1	590A2316	1	SC.CON.TUBI/CAVI K60-V65-REV-	
2	590A2339V	1	COP.POST.SCAT.(A2339)VERDE	
3	F0862479020	4	SCREW M8X16 7380	
4	31411084	4	WASHER 8,4x17	
5	573A2622	1	TAPP.SUPP.SEDILE K60-65-REV-	
6	580A2623	1	BIADES.FT349 TAPP.SUPP.SED.GM	
7	590A2344	1	TORR.GIREV.COMPL.K60-V65-REV-	
8	573A0356	1	GASKET	
9	57374545	1	GASKET	
10	34221005	1	CYL. PLUG m6 D.3x60 DIN 6325	
11	593A0864	1	FLANGE	
12	F0863208050	4	SCREW M10X20 UNI 5933	
13	590A2348	1	SUPP.SEDILE K60-V65-REV-	
14	561A2353	2	PERNO INC.SUP/SED.K60-V65-REV-	
15	F0861973100	4	SCREW M6X12 COMBI	
16	58074488	1	SPRING	
17	563A2358	1	PERNO INC.SUP.SED.K60-V65-REV-	
18	561A2357	1	STAF.BL.SUPP.SED.K60-V65REVgrz	
19	34211028	1	ROLL PIN	
20	58070390	1	SEAT SPRINGS	
21	573A2364	1	COP.TORRETTA GIREVOLE K60-V65	
22	590A2648	1	STAF.COM.DIS.INV.FLUS.K6065grz	
23	31312087	1	PRIG.M8x40 UNI 5911 8.8 ZNT/B	
24	31241081	1	HEXAGON SELFLOCK NUT	
25	551A1602	2	RUBBER COVER	
26	551A1601	1	RUBBER COVER	
27	560A0440	1	HANDLE	
28	31132566	4	SCREW TSVEI M8X20 UNI 5933	
29	573A0291	1	INTERNO PULEGGIA 55-65-REV-	
30	573A1949	2	PULEGGIA K60-65-REV-	
31	F0862785000	1	SCREW	
32	31411084	2	WASHER 8,4x17	
33	31241081	1	HEXAGON SELFLOCK NUT	
34	561A2600	2	FERMO SUP.SIL/BL.ANT.K60-65CAB	

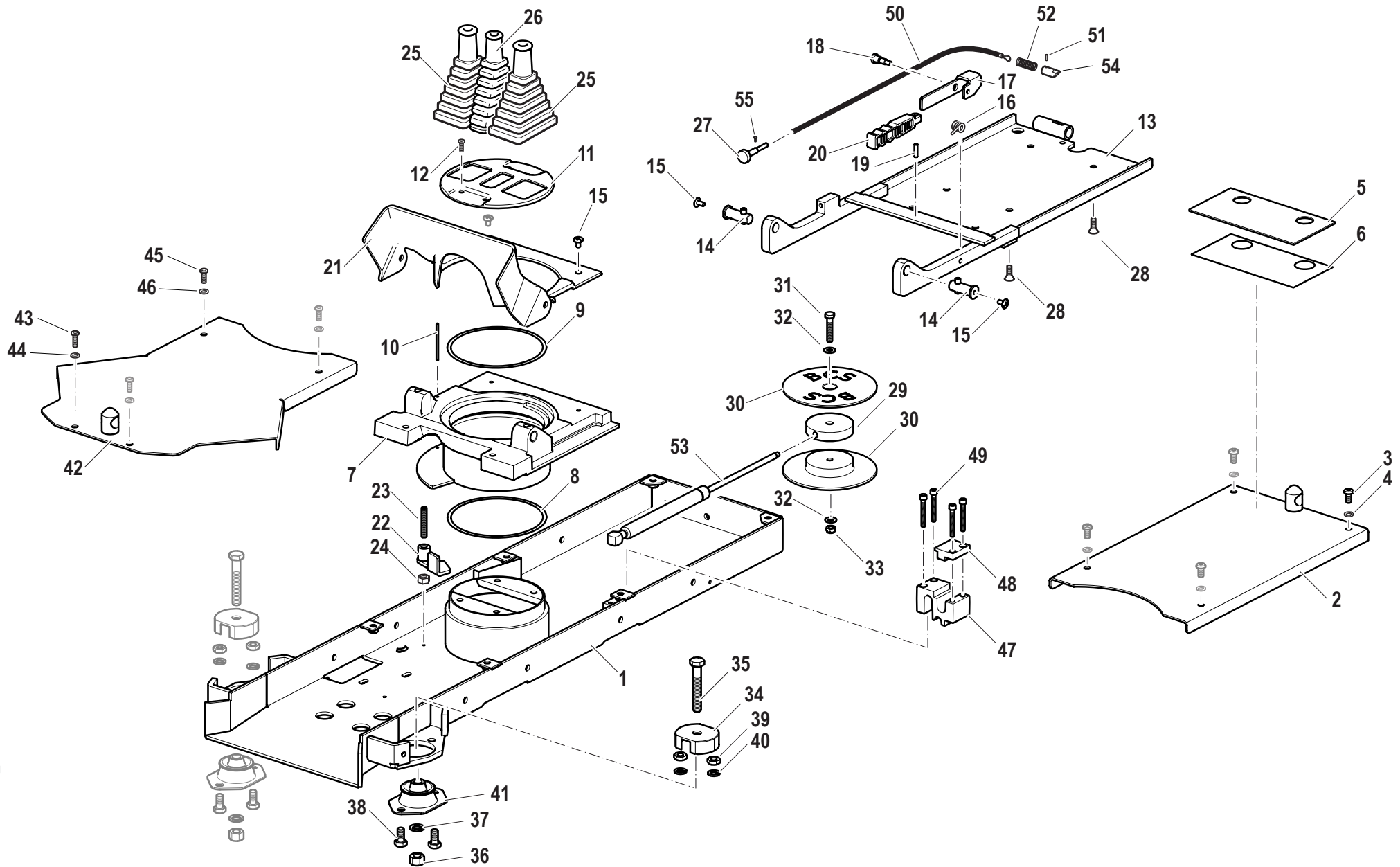
SERIAL

SEAT SUPPORT / GEAR LEVERS COVER (VERSION WITH CAB)

CODE REV

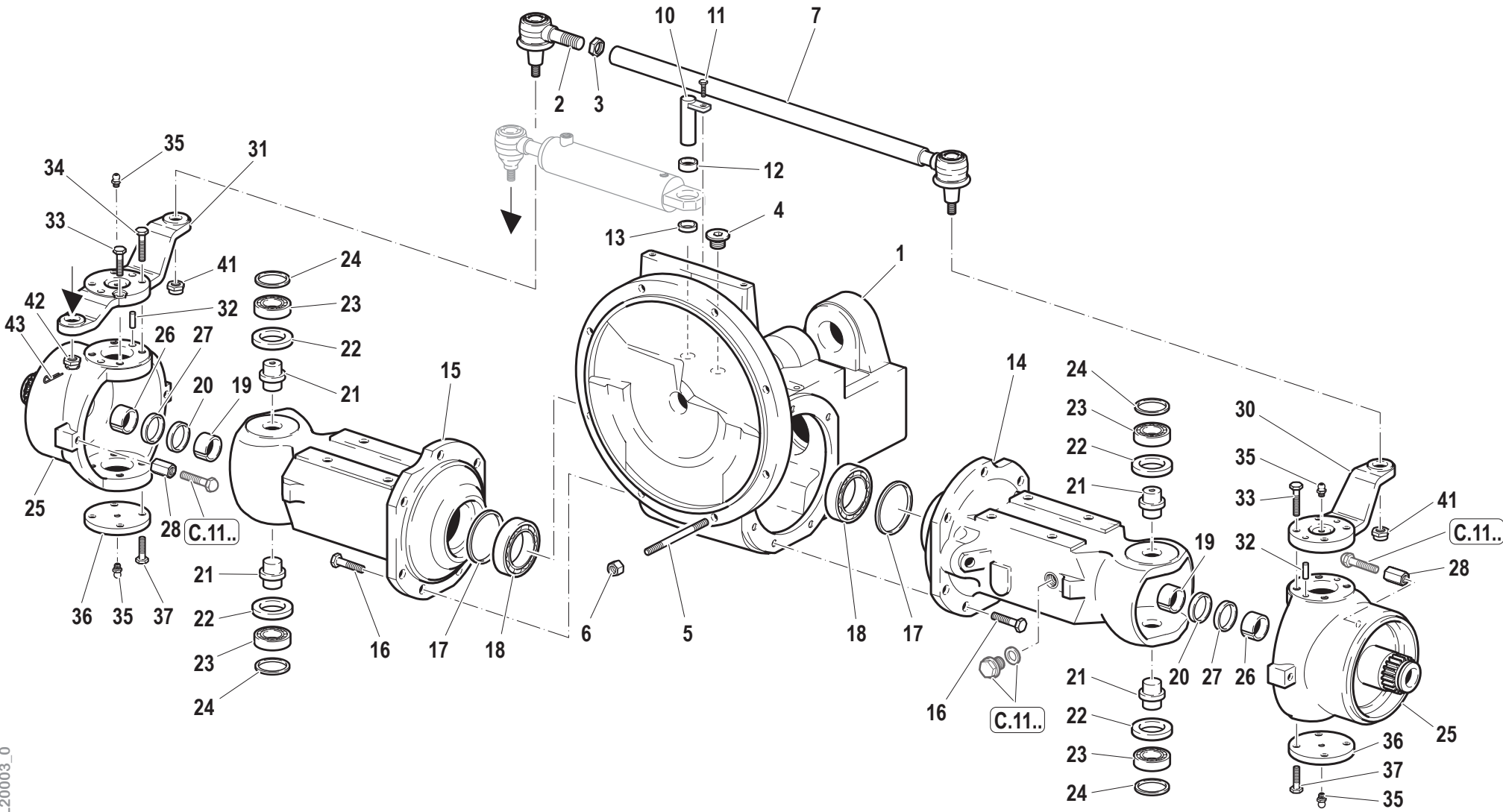
B.09.02.L20005_0

SEAT SUPPORT / GEAR LEVERS COVER (VERSION WITH CAB)



Pos.	Code	Q.ty	Description	Notes
35	31112700	2	SCREW TE M12X75 UNI 5737	
36	31221120	2	NUT M12	
37	F0843843060	2	WASHER 12	
38	31112219	4	SCREW TE M10X25 UNI 5739	
39	31211100	4	NUT M10	
40	F0843755000	4	WASHER 10	
42	590A2387V	1	COP.ANT.SCA.RS-AR(A2387)VERDE	
43	31121007	2	SCREW BCEI M8X20 ISO7380	
44	F0843643060	2	WASHER 8	
45	F0862479020	2	SCREW M8X16 7380	
46	31411084	4	WASHER 8,4x17	
47	530A2299	1	PROFILED SMALL BLOCK HAUSE	
48	56174773	1	COVER	
49	31152066	4	SCREW TCEI M6X45 UNI 5931	
50	580A2681	1	STEEL CABLE FOR TRACTOR K60-65 REV	
51	34211028	1	ROLL PIN	
52	58070390	1	SEAT SPRINGS	
53	581A2708	1	MOLLA A GAS(7000015748A0)	
54	563A2356	1	PERNO BL.SEDILE K60-V65-REV-	
55	31112047	1	SCREW TE M4X6 UNI 5739 8G	

FRONT AXLE



Pos.	Code	Q.ty	Description	Notes
1	511A2265	1	FRONT BRIDGE BOX L60-K60-V65-	
2	58170069	1	BALL JOINT END	
3	56370486	1	SPECIAL NUT M20X1 CH32 6S	
4	58071790	1	PLUG	
5	F0838475000	2	STUD BOLT M10X90 UNI 5911 8.8	
6	F0814647000	2	NUT M10	
7	59071953	1	ROD	
8	56370081	1	PLUG	
9	F0844273090	1	GASKET 22X28X1,5 CU 99,5	
10	59071171	1	HINGE PIN	
11	31111151	1	SCREW TE M8X16 UNI 5739 8G	
12	56171572	1	SPACER	
13	56170226	1	SPACER	
14	51271607	1	FRONT AXLE HOUSING	
15	51271608	1	FRONT AXLE HOUSING	
16	31112264	14	SCREW TE M12X35 UNI 5739	
17	56371582	0.8	RING	
17	56371583	0.8	RING	
17	56371584	0.8	RING	
17	56371585	0.8	RING	
17	56371586	0.8	RING	
18	F0812895000	2	BEARING 32008 (40X68X19)	
19	58170039	2	BUSHING	
20	F0802119050	2	SEAL 30x44x11	
21	56371571	4	JOINT PIN	
22	57371570	4	RING	
23	F0812705000	4	BEARING	
24	56371587	1	SHIM	
24	56371588	1.5	SHIM	
24	56371589	1	SHIM	
24	56371590	2.5	SHIM	
25	51271597	2	JOINT	
26	58171596	2	BUSHING	
27	38212503	2	OIL SEAL	

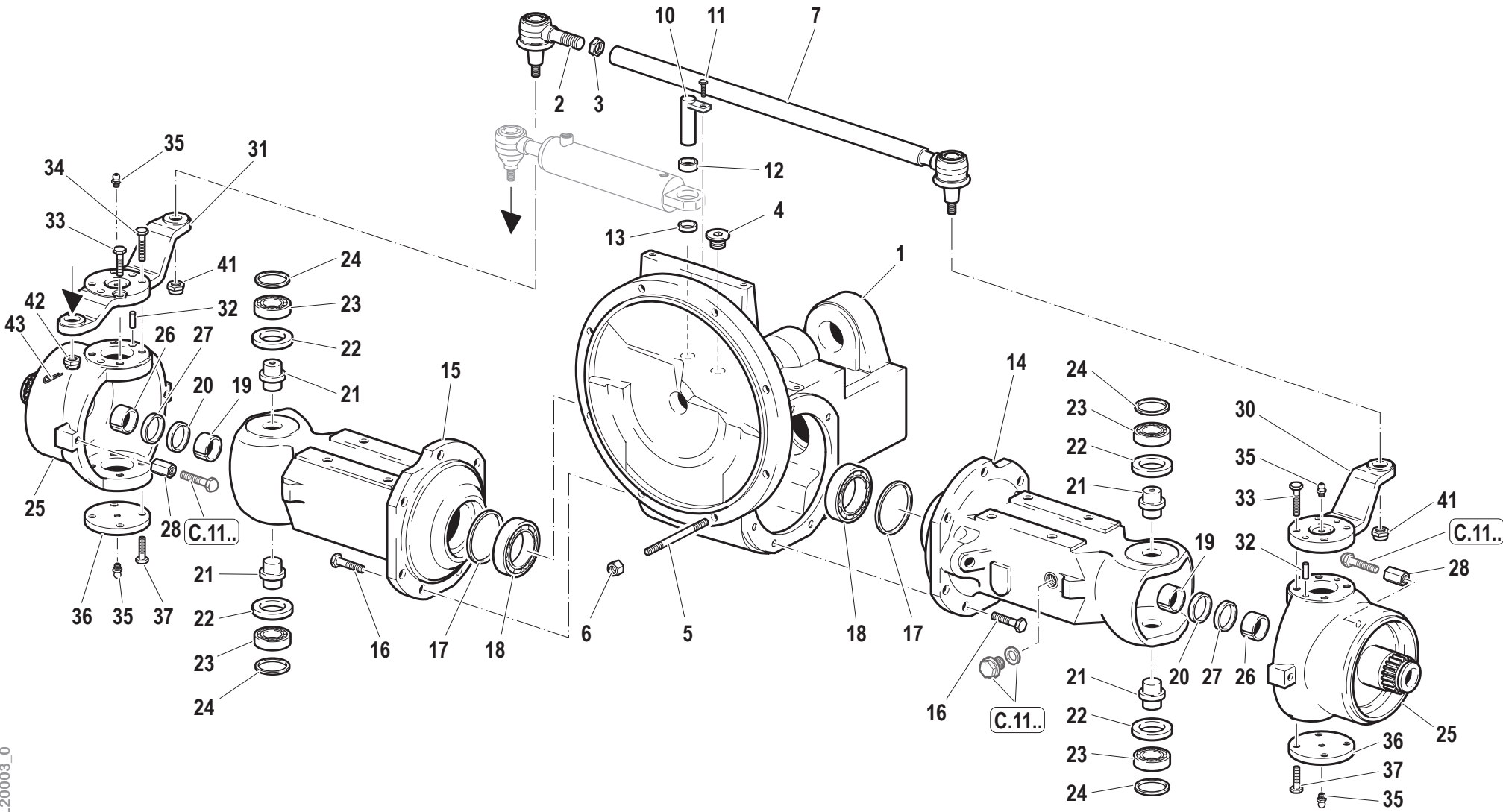
SERIAL

FRONT AXLE

CODE REV

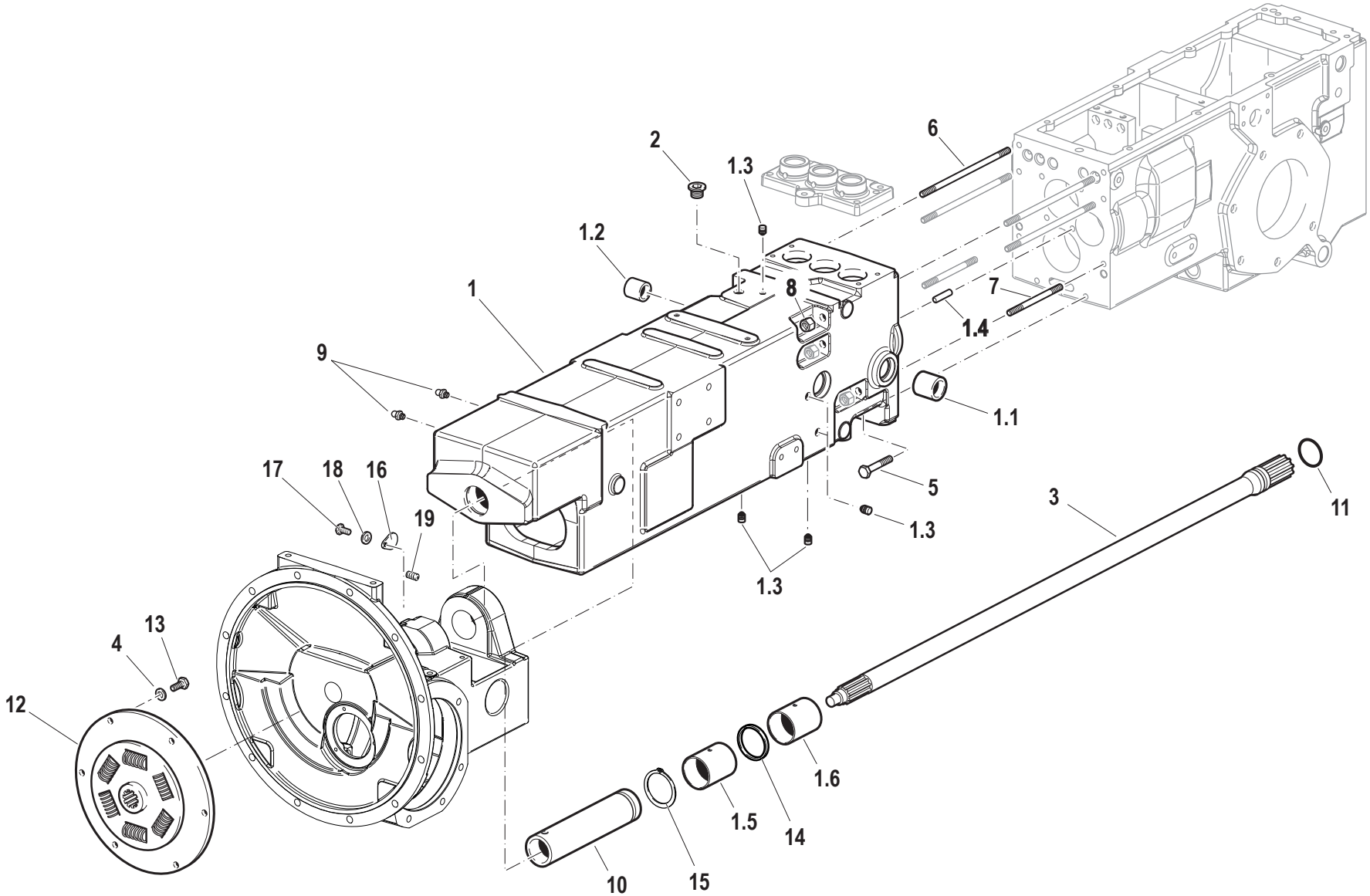
C.01.01.L20003_0

FRONT AXLE

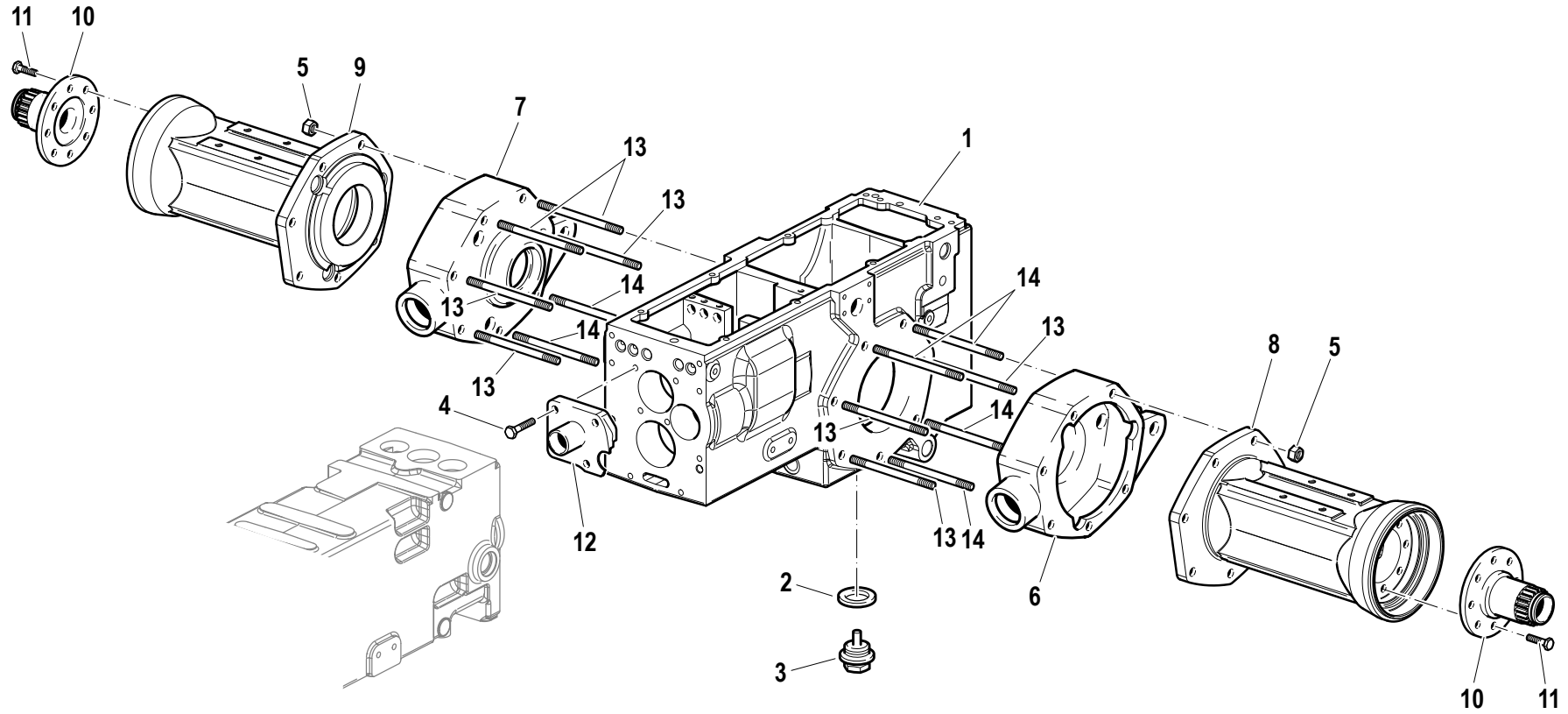


Pos.	Code	Q.ty	Description	Notes
28	F0814621000	2	SMALL COLUMN	
29	56375609	2	SCREW	
30	523A0199	1	STEERING TRACK LEVER	
31	523A0200	1	STEERING TRACK LEVER	
32	56370228	4	CYLINDRICAL PLUG	
33	F0863311250	1	SCREW M10x1,5x32	
34	F0863358050	7	SCREW	
35	30000007	4	LUBRICATOR	
36	56171569	2	COVER	
37	F0863267050	8	SCREW M10x25	

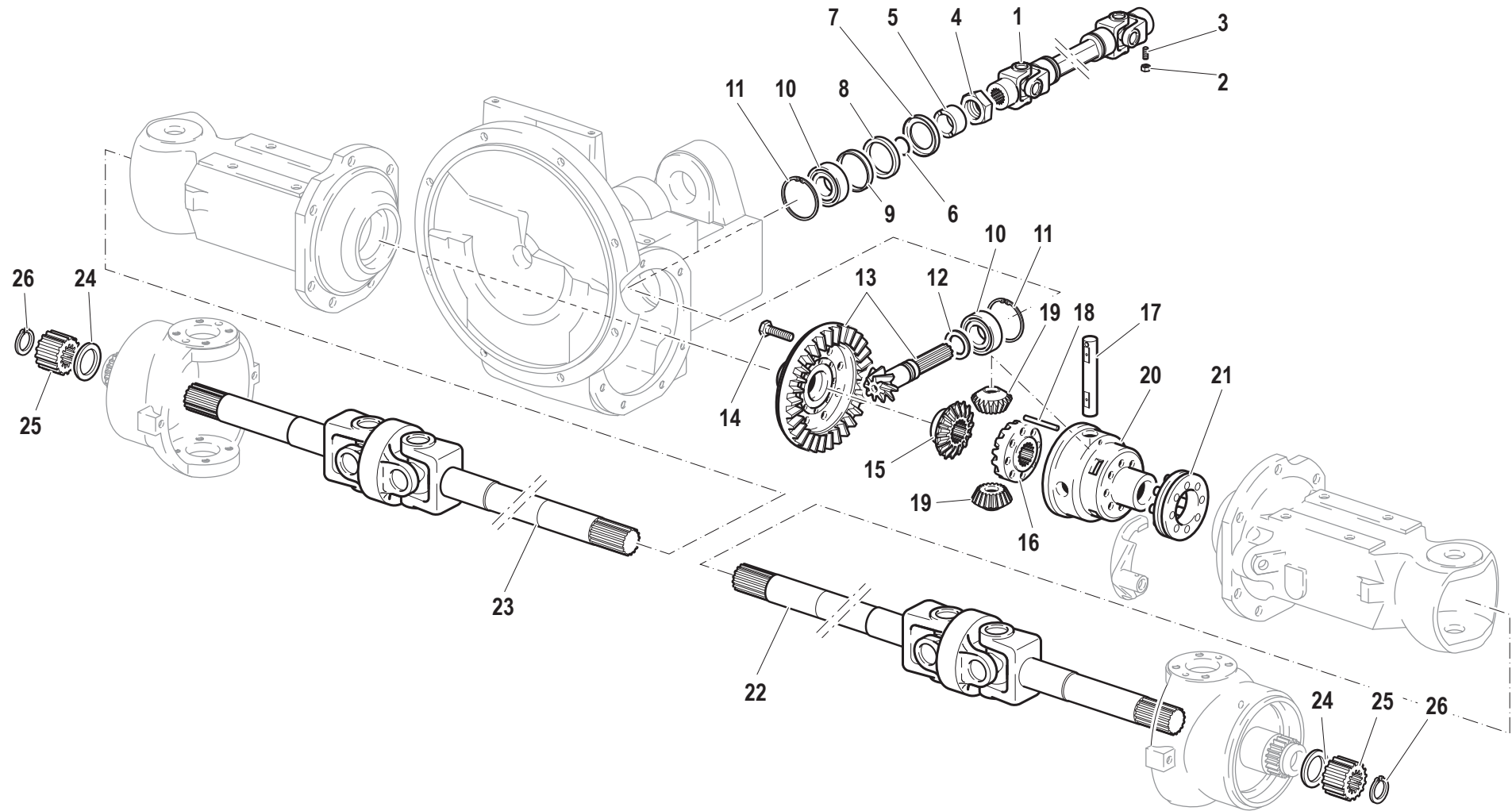
CORPO CENTRALE



Pos.	Code	Q.ty	Description	Notes
1	511A2835	1	CLUTCH HOUSING K60-V65-RS-	
1.1	58071793	1	BUSHING	
1.2	P000000007984	1	BUSHING	
1.3	58179811	5	PLUG	
1.4	56370228	2	CYLINDRICAL PLUG	
1.5	56276360	1	BUSHING	
1.6	56276359	1	BUSHING	
2	F0852538010	1	PLUG	
3	565A2289	1	SHAFT	
4	31421083	6	WASHER	
5	F0863359000	2	SCREW M10X40 UNI 5737	
6	F0838535050	4	STUD BOLT M10X170 UNI5911	
7	F0838475000	2	STUD BOLT M10X90 UNI 5911 8.8	
8	F0814647000	6	NUT M10	
9	F0826056000	2	LUBRICATOR M10 UNI 7663A	
10	564A2716	1	PIN	
11	38112507	1	O-RING	
12	581A2277	1	COUPLING	
13	31112150	6	SCREW TE M8X20 UNI 5739 8G	
14	561A2718Z	1	DIST.D.51,5x45,5/5 ZNT/B	
15	F0801331050	1	SEEGER RING	
16	561A1658Z	1	PLATE	
17	31112082	1	SCREW TE M6X12 UNI 5739 8G	
18	F0843570000	1	WASHER 6	
19	31100920	1	SCREW M12x22 UNI 5927 ZNT/B	

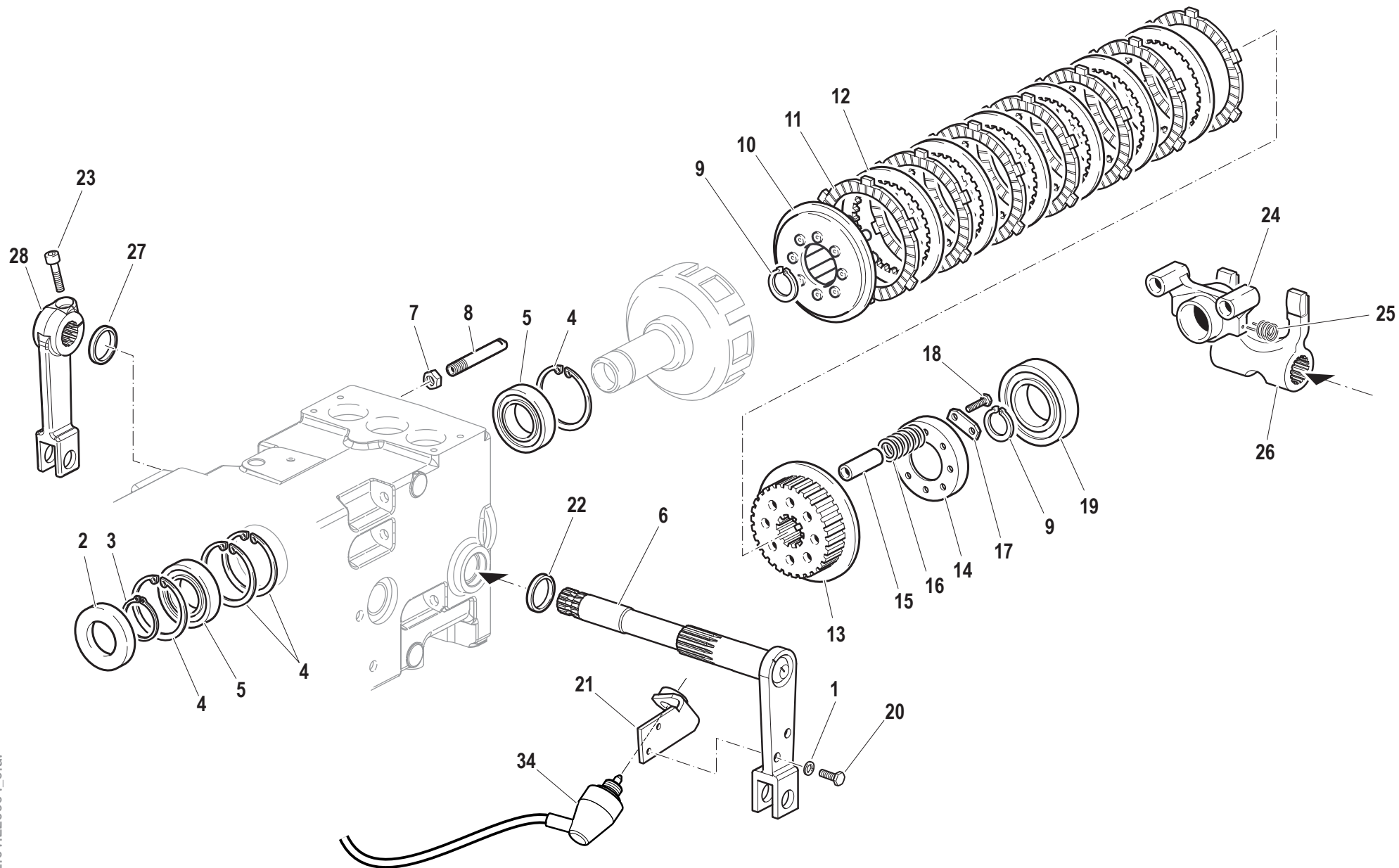


Pos.	Code	Q.ty	Description	Notes
1	511A0935	1	GEAR BOX 55-65CV	
2	31480191	1	COPPER WASHER	
3	581A0108	1	PLUG	
4	31112219	4	SCREW TE M10X25 UNI 5739	
5	F0814695000	14	NUT	
6	51171603	1	BRAKE HOUSING	
7	51171604	1	BRAKE HOUSING	
8	511A0111	1	REAR AXLE HOUSING	
9	511A0112	1	REAR AXLE HOUSING	
10	56371612	2	SUPPORT	
11	F0863267050	16	SCREW M10x25	
12	59079172	1	FRONT COVER	
13	F0838660000	8	STUD BOLT M12X105 UNI 5911-66	
14	F0838660100	6	STUD BOLT M12x115 UNI 5911-66	



Pos.	Code	Q.ty	Description	Notes
1	581A2292	1	DOPPIO GIUNTO CARD.L60-K60-V65	
2	31211080	1	NUT M8	
3	F0862657000	1	GRAIN	
4	56371666	1	RING NUT	
5	56471665	1	SPACER	
6	38112670	1	O-RING	
7	56171671	1	PROTECTIVE RING	
8	F0802190010	1	SEAL	
9	56171672	1	SPACER	
10	37221300	2	CYL. ROLLER BEARING	
11	35111063	2	SEEGER RING	
13	593A2290	1	C/C Z=10/39(ANT)L60-K60-V65	
14	F0863267050	8	SCREW M10x25	
15	52471513	1	CROWN WHEEL	
16	52471516	1	CROWN WHEEL	
17	56471508	1	PIN	
18	56371994	1	PIN	
19	52471509	2	PLANETARY GEAR	
20	51374866	1	HOUSING	
21	59071518	1	SLEEVE	
22	58171514	1	JOINT	
23	58171515	1	JOINT	
24	56471565	2	SHIM	
25	52473922	2	CROWN WHEEL	
26	F0801175050	2	RING	
12.1	56371670	0.25	SHIM	
12.2	56371667	0.25	SHIM	
12.3	56371668	0.25	SHIM	
12.4	56371669	0.25	SHIM	

CLUTCH



Pos.	Code	Q.ty	Description	Notes
1	F0843643060	2	WASHER 8	
2	F0802187050	1	OIL SEAL	
3	35121040	1	SEEGER RING	
4	F0801408000	4	SEEGER RING	
5	37111400	2	BEARING	
6	59079538	1	CONTROL SHAFT	
7	F0814689050	1	NUT	
8	561A2740	1	TUBO LAV.FRIZIONE CAMBIO 55-65	
9	563A1689	1	VITE M10x43 CH.22 ZNT/B	
10	592A1187	1	DISCO REAZ.FRIZ.CAMBIO 55-65CV	
11	58171558	7	CLUTCH DISC	
12	58171559	6	DISC	
13	524A1233	1	MOZZO DISCHI FRIZIONE	
14	56371551	1	FLANGE	
15	561A1188	4	DIST.D.12x10,1/31,1	
16	580A1189	8	MOLLA FRIZIONE 55-65	
17	52071702	4	CLAMPING PLATE	
18	31111091	8	SCREW E M6X14 UNI 5739 8G	
19	37111460	1	BEARING	
20	31112146	2	SCREW TE M8X22 UNI 5739 8G	
21	590A1683	1	STAFFA INT.CONS.AVVIAM.55-65	
22	38212503	1	OIL SEAL	
23	31152083	1	SCREW TCEI M8X30 UNI 5931	
24	522A1185	1	FRICTION RELEASE SLEEVE 55-65	
25	F0819180080	2	SPRING	
26	52371733	1	CLUTCH FORK	
27	F0802088050	1	SEAL 22x32x6	
28	56579865	1	CLUTCH LEVER	
29	31211100	1	NUT M10	
30	F0801241010	2	SEEGER RING	
31	590A1686	1	STAFFA REG.CONS.AVVIAM.55-65	
32	31112150	2	SCREW TE M8X20 UNI 5739 8G	

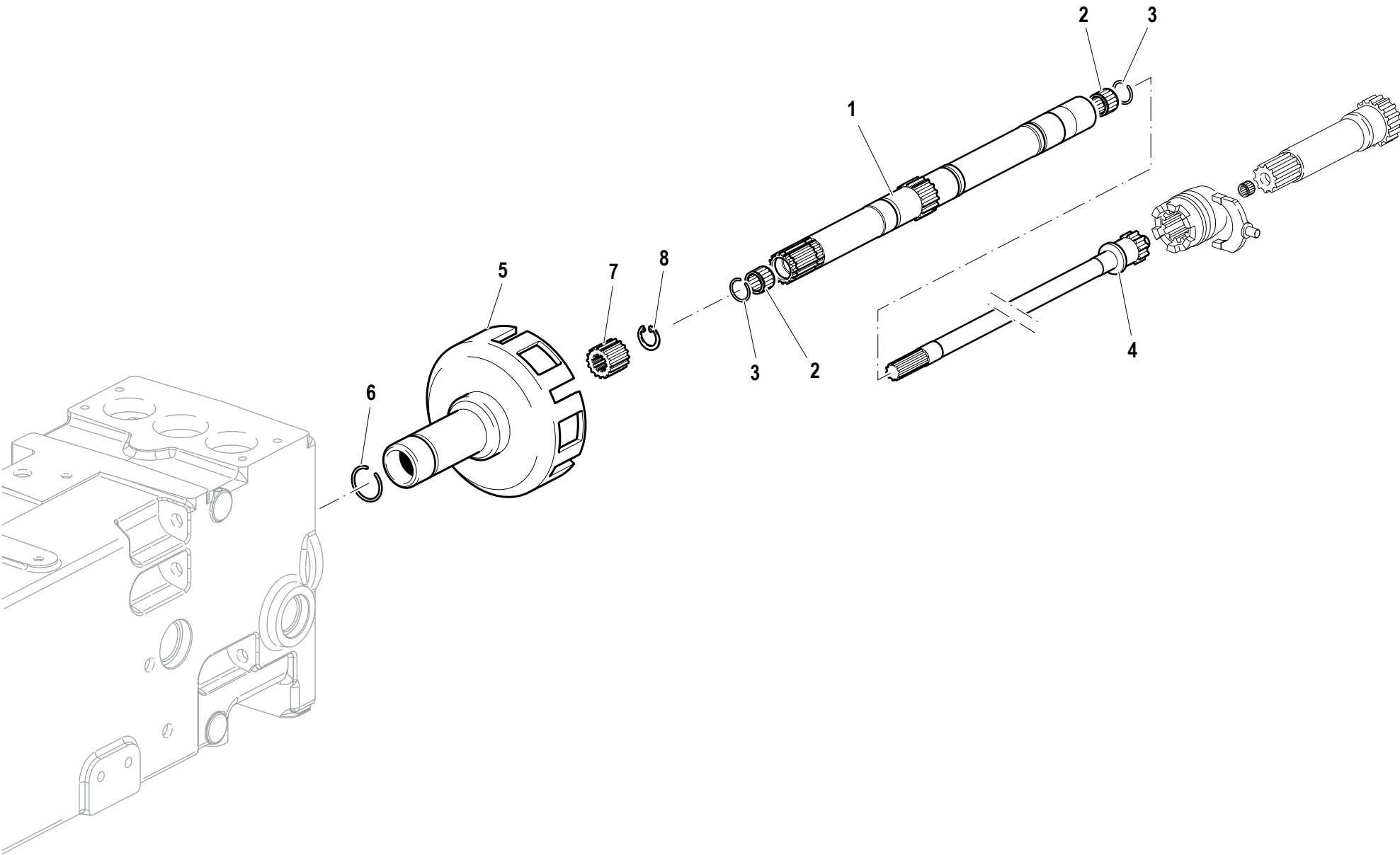
SERIAL

CLUTCH

CODE REV

D.02.01.L20004_0

INPUT SHAFT



D.02.02.L20003_0

Pos.	Code	Q.ty	Description	Notes
1	52479521	1	TRANSMISSION SHAFT	
2	F0812578050	2	ROLLER CAGE	
3	F0801156050	2	SAFETY RING	
4	56479697	1	SHAFT	
5	52579212	1	CLUTCH HOUSING	
6	F0800056050	1	CIRCLIP	
7	52472344	1	FIX SLEEVE	
8	35111027	1	SEEGER RING	

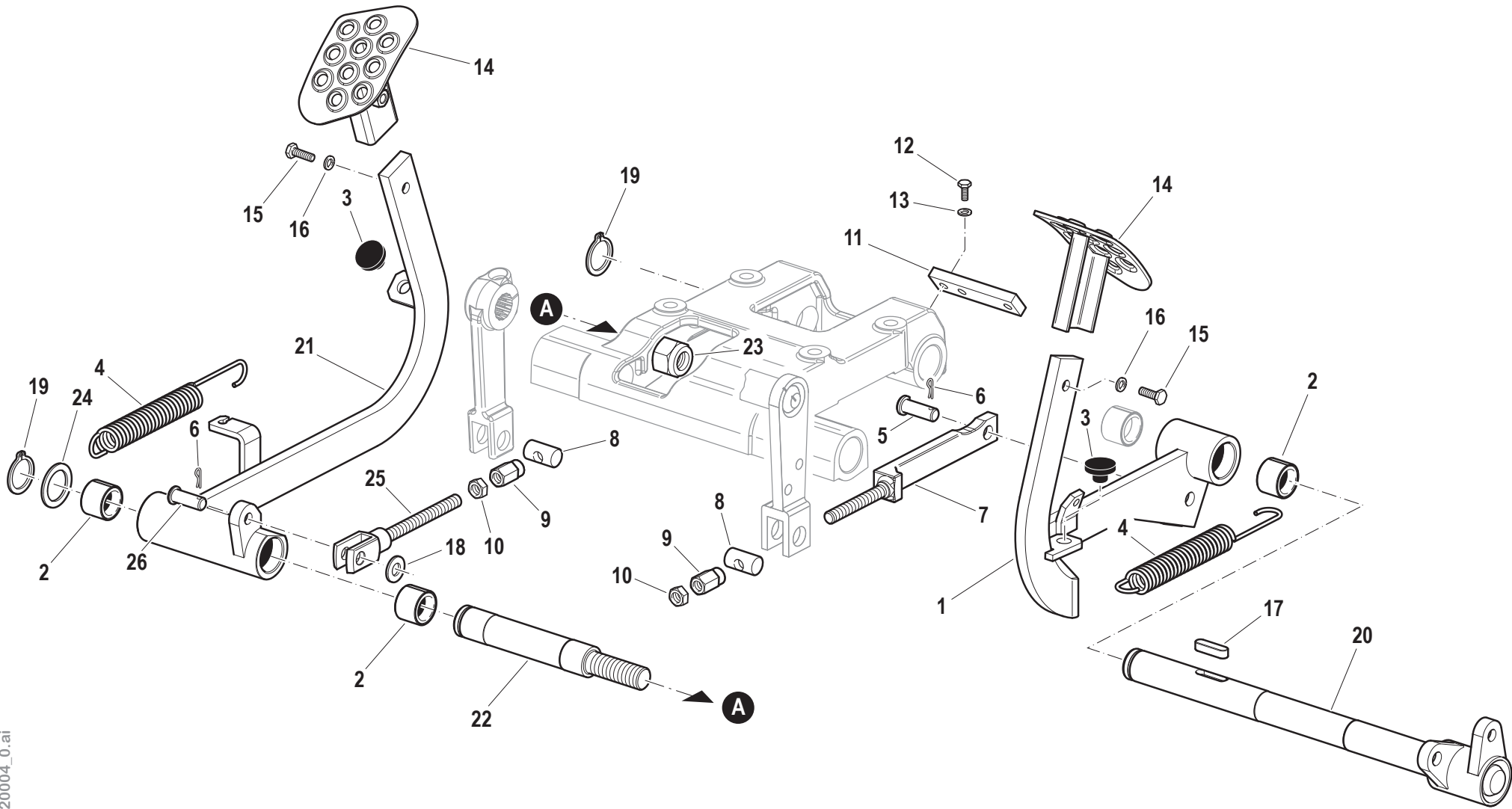
SERIAL

INPUT SHAFT

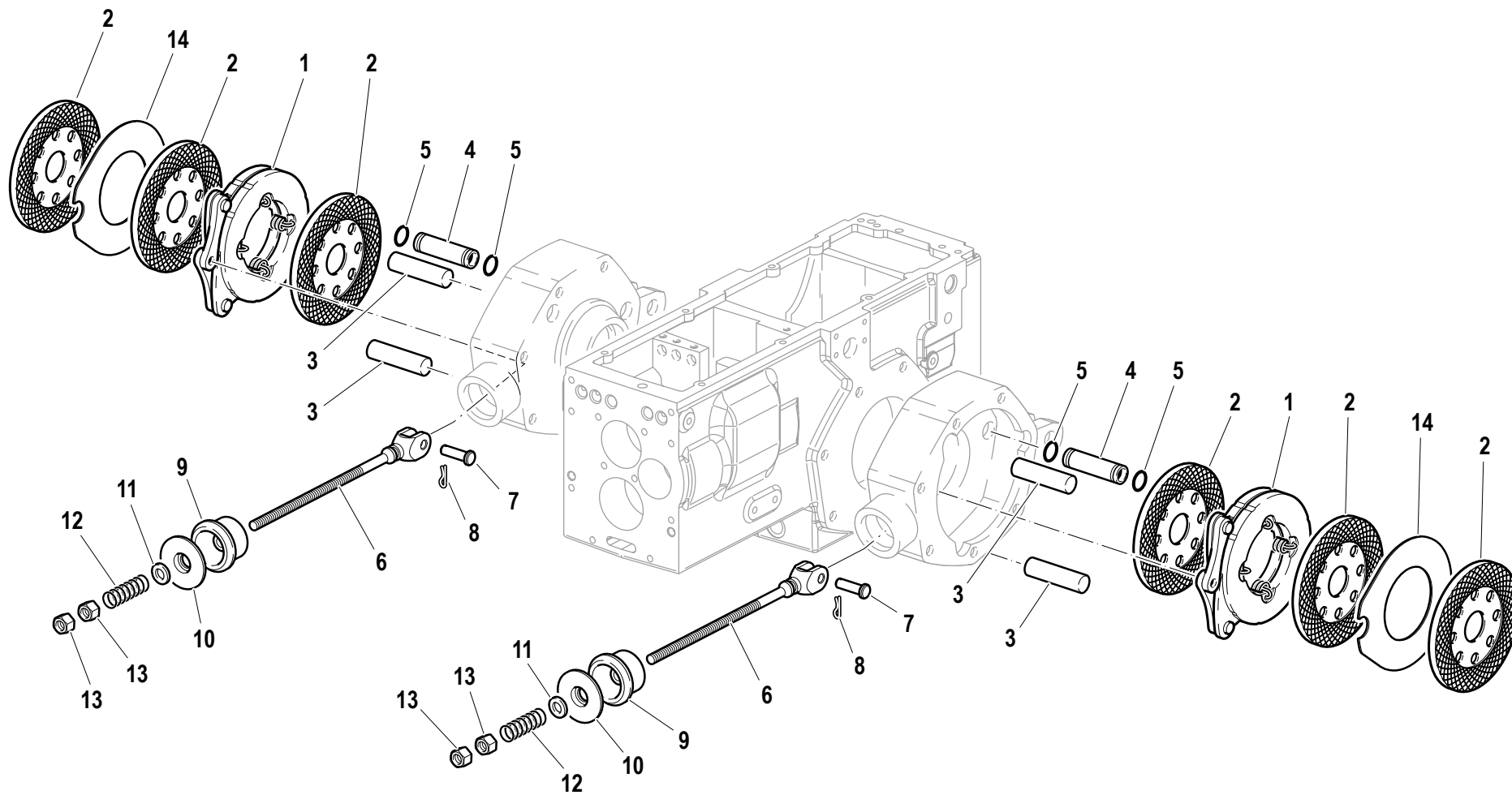
CODE REV

D.02.02.L20003_0

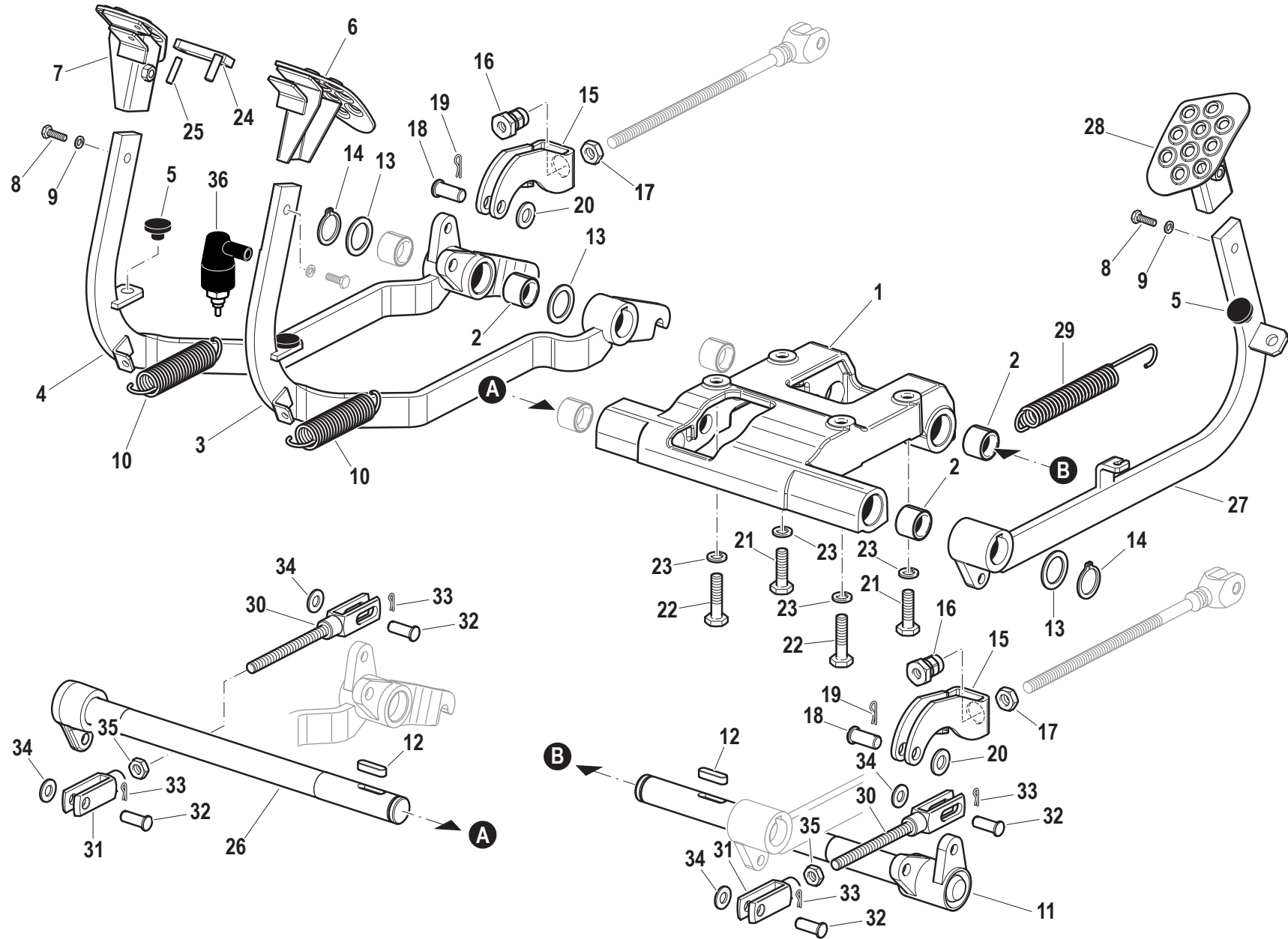
CLUTCH CONTROLS



Pos.	Code	Q.ty	Description	Notes
1	59079597	1	PEDAL	
2	58171596	4	BUSHING	
3	F0822537050	2	BUFFER	
4	580A0360	2	RESTORING SPRING	
5	56471813	1	PIN	
6	F0810510000	2	SPLIT PIN A2,0X20 UNI 1336	
7	59071640	1	ROD	
8	56371714	2	PIN	
9	56371715	2	REGISTER	
10	F0814627000	2	NUT M10	
11	56079676	1	PLATE	
12	31112093	2	SCREW TE M6X20	
13	F0843570000	2	WASHER 6	
14	59079643	2	BRAKE PEDAL	
15	31112146	2	SCREW TE M8X22 UNI 5739 8G	
16	F0843643060	2	WASHER 8	
17	F0806533000	1	KEY	
18	31411105	1	WASHER 10,5x21	
19	35131026	1	SEEGER RING	
20	59079675	1	SHAFT	
21	59079638	1	CLUTCH PEDAL	
22	56379660	1	PEDAL PIN	
23	31241181	1	SELFLOCK NUT M18x1,5 6S	
24	56349629	1	RING	
25	59079665	1	TIRANTE PEDALE FRIZ.55-65-REV-	
26	56470365	1	PIN	



Pos.	Code	Q.ty	Description	Notes
1	58171706	2	BRAKE	
2	58171707	6	BRAKE DISC	
3	56371606	4	PIN	
4	56371605	2	PIN	
5	F0803186000	4	O-RING	
6	56371708	2	ROD	
7	56471709	2	PIN	
8	F0810510000	2	SPLIT PIN A2,0X20 UNI 1336	
9	55170047	2	BOOT	
10	56170043	2	COVER	
11	31411130	2	WASHER 13x24	
12	58070366	2	RETAINING SPRING	
13	31231120	4	NUT M12	
14	P453524010000	2	SHIM	



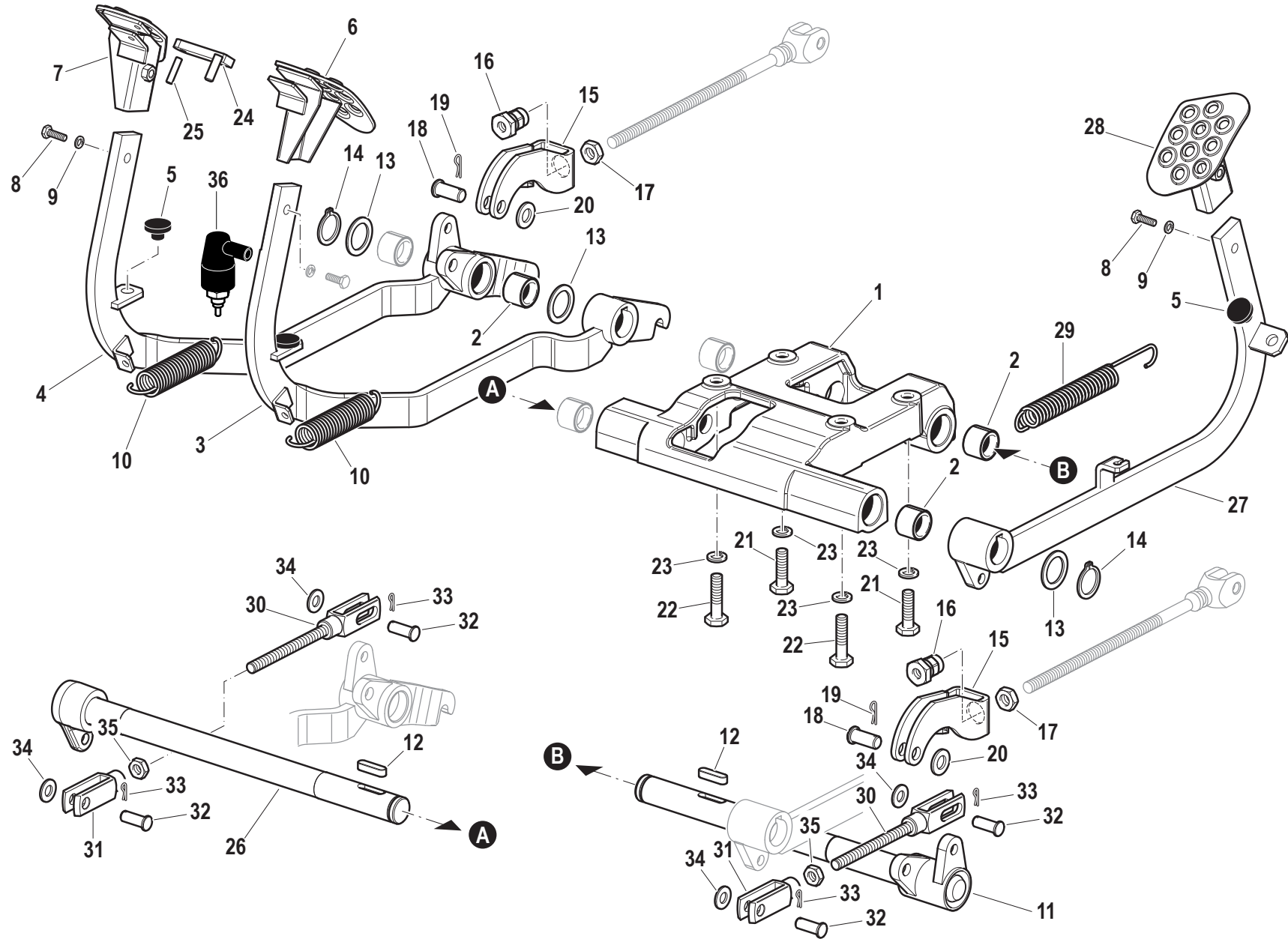
Pos.	Code	Q.ty	Description	Notes
1	511A0116	1	SUPPORT	
2	58171596	2	BUSHING	
3	59079605	1	BRAKE PEDAL	
4	59079609	1	BRAKE PEDAL	
5	F0822537050	3	BUFFER	
6	59079649	1	BRAKE PEDAL	
7	59079645	1	BRAKE PEDAL	
8	31112146	3	SCREW TE M8X22 UNI 5739 8G	
9	F0843643060	3	WASHER 8	
10	58070373	2	RESTORING SPRING	
11	59079675	1	SHAFT	
12	F0806533000	1	KEY	
13	56349629	1	RING	
14	35131026	1	SEEGER RING	
15	56171787	2	BRACKET	
16	52373177	2	NUT	
17	31231120	2	NUT M12	
18	56470797	2	PIN	
19	F0810510000	2	SPLIT PIN A2,0X20 UNI 1336	
20	31411130	2	WASHER 13x24	
21	F0863449000	2	SCREW	
22	31112215	2	SCREW	
23	F0843755000	4	WASHER 10	
24	561A1479	1	PEDALS CONNECTION PLATE	
25	F0851262000	1	PIN 6X26 DIN 7343 CL:C72	
26	59074317	1	SHAFT	
27	59079632	1	CLUTCH PEDAL	
28	59079643	1	BRAKE PEDAL	
29	580A0360	1	RESTORING SPRING	
30	59073066	2	ROD	
31	F0860091010	2	FORK	
32	56470365	4	PIN	
33	F0810510000	4	SPLIT PIN A2,0X20 UNI 1336	
34	31411105	4	WASHER 10,5x21	

SERIAL

BRAKES CONTROLS

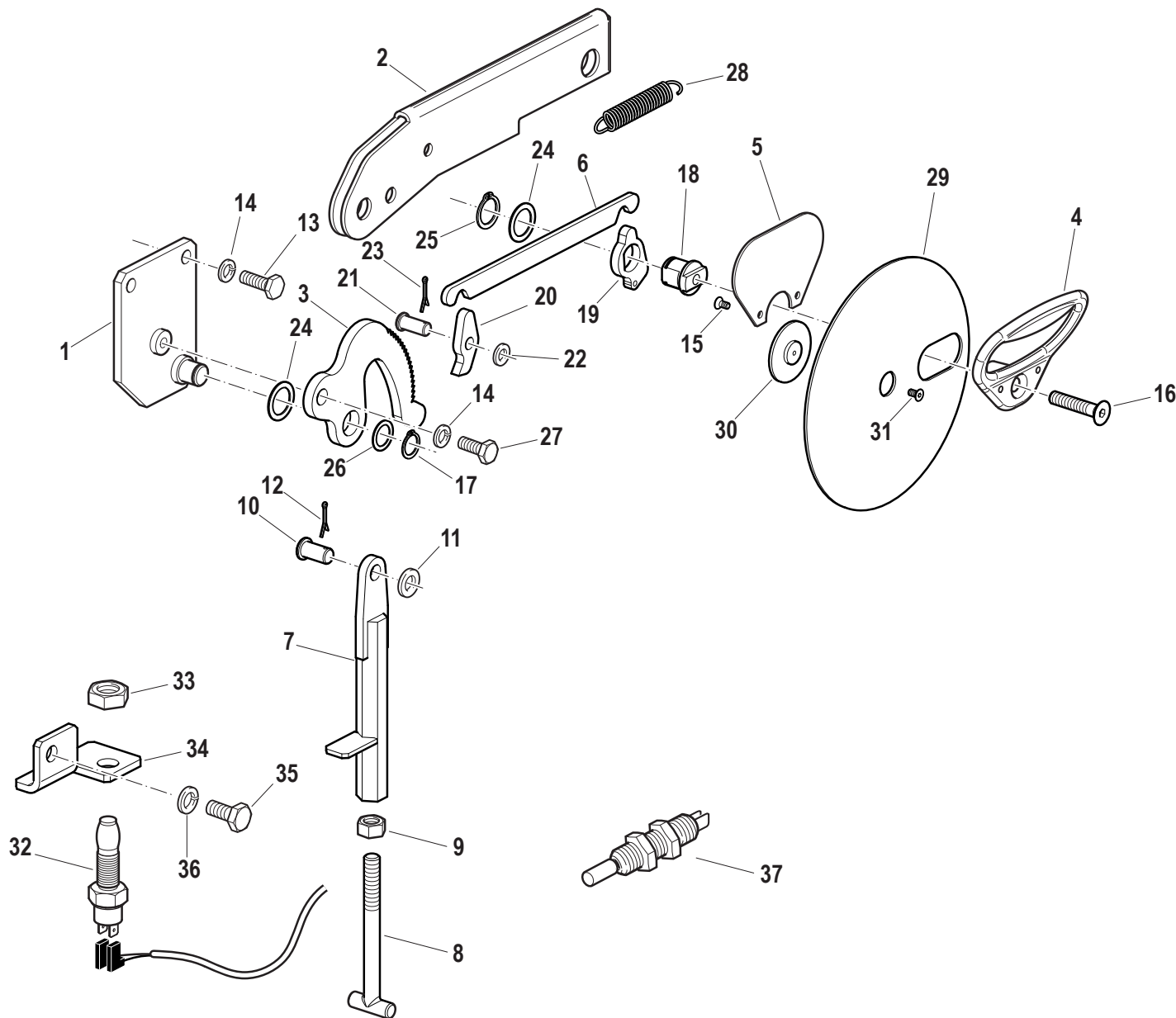
CODE REV

D.05.01.L20004_0



Pos.	Code	Q.ty	Description	Notes
35	31211100	2	NUT M10	
36	F0825488000	1	SWITCH	

PARKING BRAKE



Pos.	Code	Q.ty	Description	Notes
1	59079759	1	LEVER BEARING	
2	59079760	1	HANDBRAKE LEVER	
3	58179860	1	TOOTHED SECTOR	
4	56179770	1	HANDLE	
5	57379771	1	GUARD	
6	56179766	1	PULL ROD	
7	590A2787	1	COLONN.TIR.FR.MANO K60-65-REV-	
8	56379765	1	HANDBRAKE TIE-ROD	
9	31231090	1	NUT M10	
10	56479769	1	HINGE PIN	
11	31411105	1	WASHER 10,5x21	
12	F0810510000	1	SPLIT PIN A2,0X20 UNI 1336	
13	31112150	2	SCREW TE M8X20 UNI 5739 8G	
14	F0843643060	2	WASHER 8	
15	31132440	2	SCREW TSVEI M4X10 UNI 5933	
16	31133590	1	SCREW TSVEI M8X35 UNI 5933	
17	F0801095000	1	SEEGER RING	
18	563A2077	1	PERNO INC.MANIGLIA K60-65-REV-	
19	56179763	1	BLANKING PLATE	
20	58179859	1	CLEVIS	
21	56479768	1	PIN	
22	31411064	1	WASHER 6,4x12,5	
23	34110021	1	SPLIT PIN	
24	31400300	1	SHIM PS 19x26/1 DIN 988	
25	35121018	1	SEEGER RING	
26	31400302	1	SHIM PS 15x22/1 DIN 988	
27	31112147	1	SCREW TE M8X18 UNI 5739 8G	
28	58073227	1	SPRING	
29	573A0371	1	DISC	
30	560A0372	1	SHIM	
31	31132440	1	SCREW TSVEI M4X10 UNI 5933	
32	58173230	1	PUSH-BUTTON	
33	31231141	2	NUT	
34	56179767	1	FIXING BRACKET	

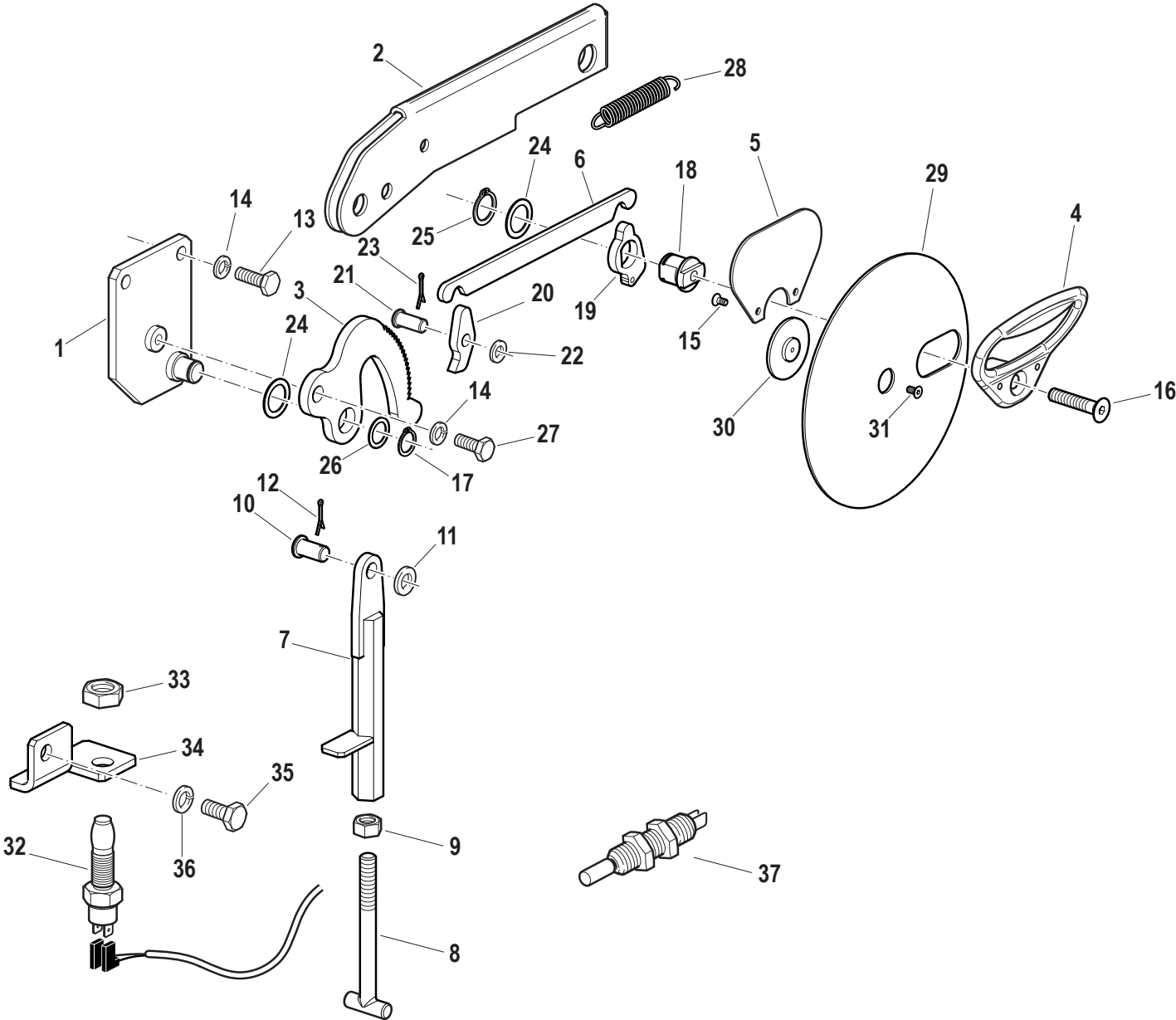
SERIAL

PARKING BRAKE

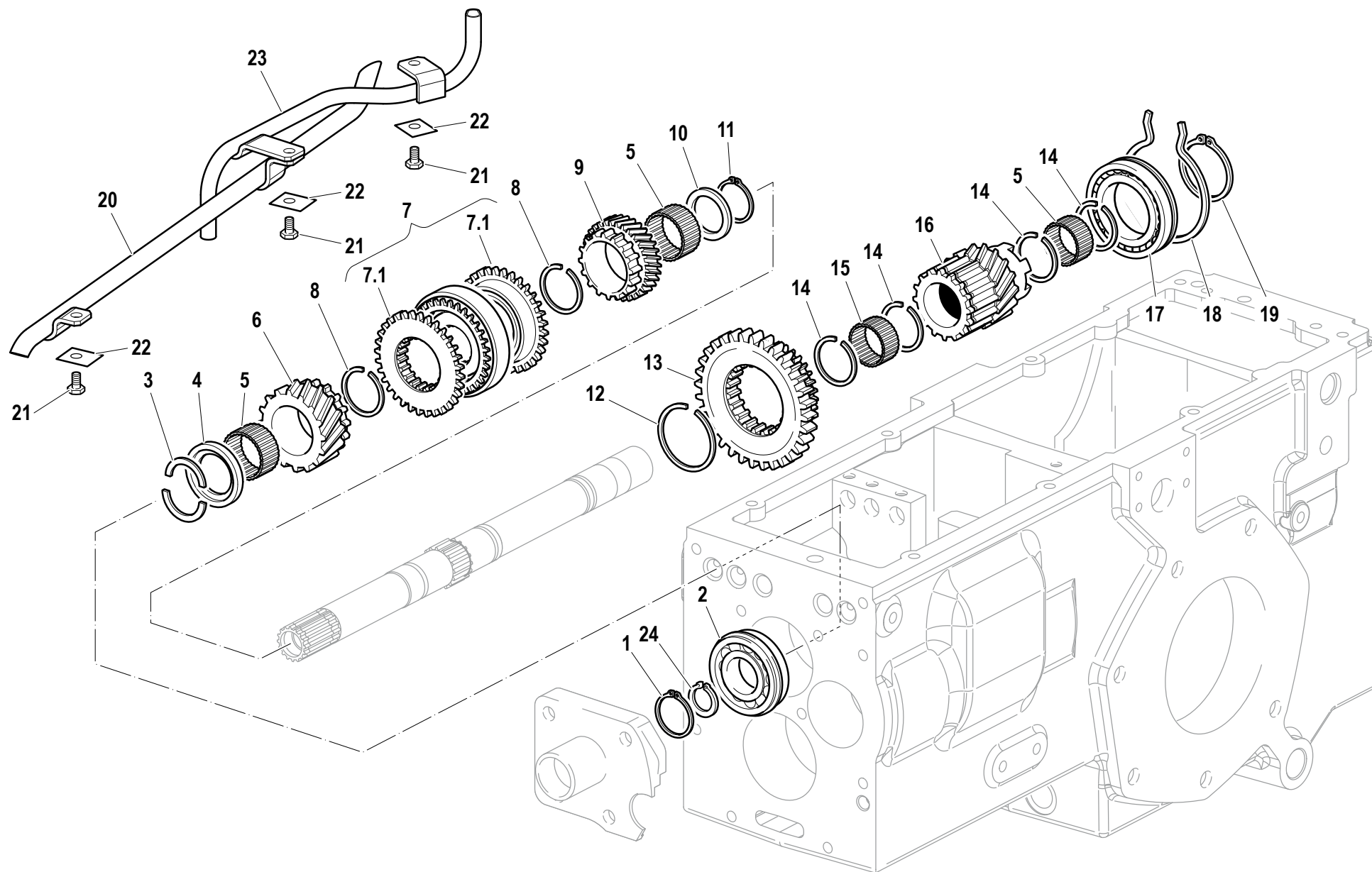
CODE REV

D.06.01.L20003_0

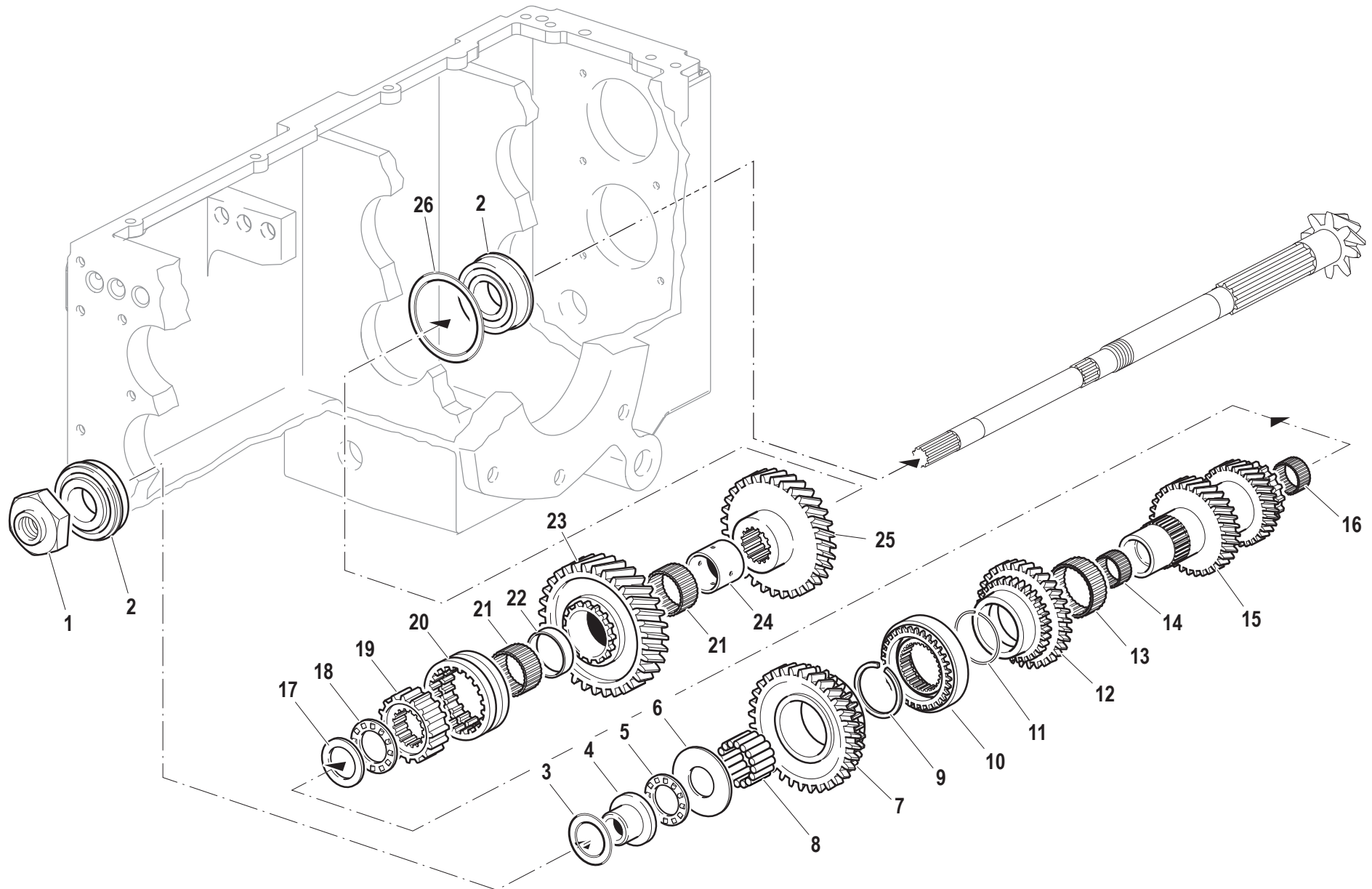
PARKING BRAKE



Pos.	Code	Q.ty	Description	Notes
35	31112208	1	SCREW TE M10X16 UNI 5739	
36	F0843755000	1	WASHER 10	



Pos.	Code	Q.ty	Description	Notes
1	F0801241010	1	SEEGER RING	
2	F0812750000	1	BEARING	
3	56371440	2	HALF RING	
4	56471441	1	SHIM	
5	F0812737000	2	ROLLER CAGE	
6	52479154	1	SPEED GEAR	
7	58179928	1	LOCK SYNCHRONIZER	
8	F0801266050	2	SAFETY RING	
9	52479155	1	SPEED GEAR	
10	56471654	1	SHIM	
11	35121030	1	SEEGER RING	
12	F0801346200	1	SAFETY RING	
13	52479156	1	SLIDING GEAR	
14	F0801266000	4	SAFETY RING	
15	F0812736010	1	ROLLER CAGE K 30X35/20 H	
16	52479158	1	DRIVEN GEAR	
17	50974166	1	BEARING	
18	58073788	1	SEEGER RING	
19	F0801331050	1	SEEGER RING	
20	590A2346	1	TUBO LUBR.INVERS.SINCR.55-65	
21	31112082	3	SCREW TE M6X12 UNI 5739 8G	
22	31450060	3	SMALL PLATE	
23	590A0756	1	TUBO SFIATO 55-65	



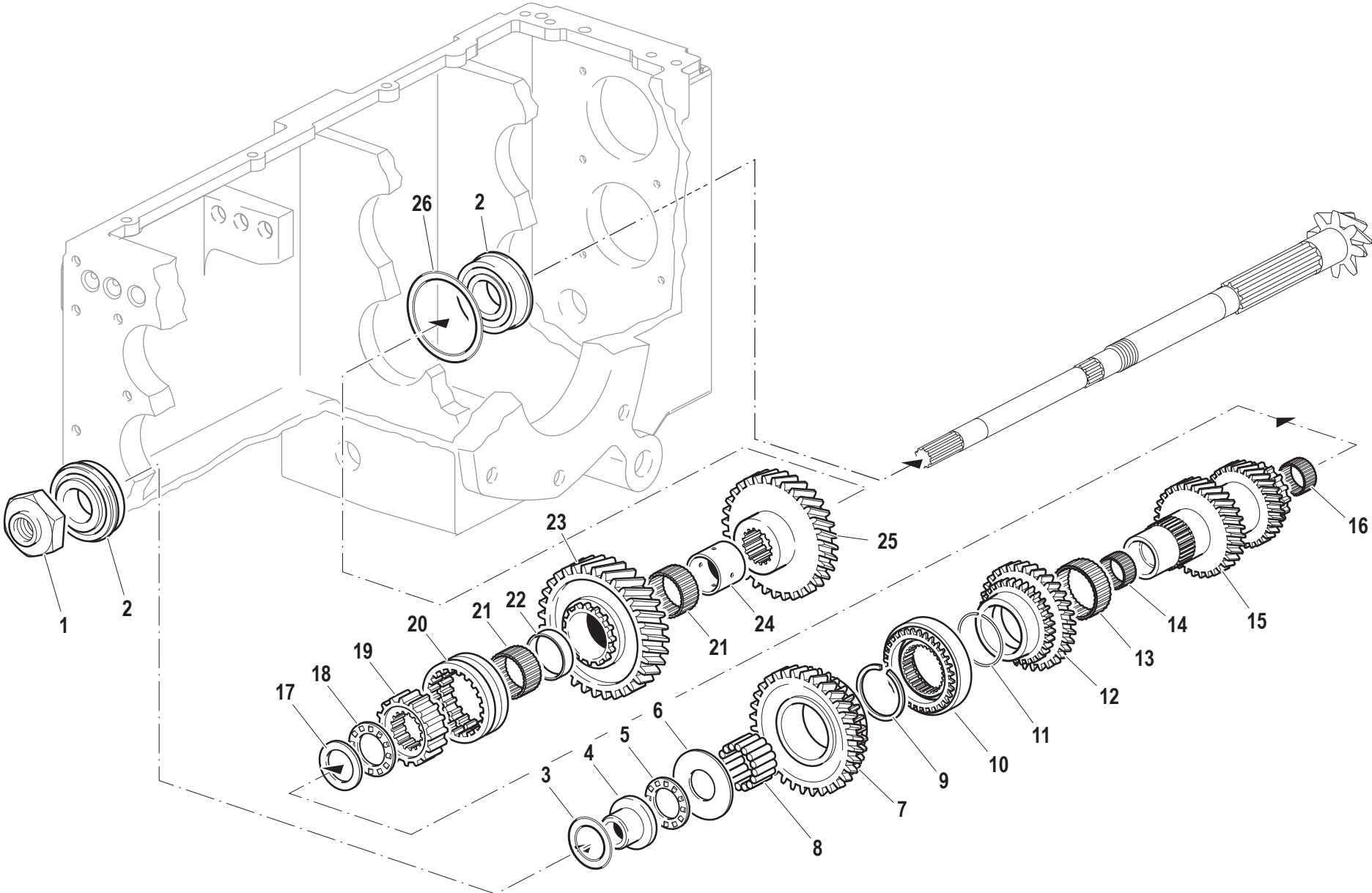
Pos.	Code	Q.ty	Description	Notes
1	56371652	1	NUT	
1	F0812810101	2	IR RING	
1	F0812810102	2	OUTER RING	
2	37120000	1	BEARING	
3	58024193	0.2	SHIM	
3	58024194	0.2	SHIM	
3	58024195	0.2	SHIM	
3	58024196	0.2	SHIM	
3	58074109	0.2	SHIM	
4	56471655	1	BUSHING	
5	58173790	1	BEARING	
6	52473789	0.33	THRUST PLATE	
6	52473812	0.34	THRUST PLATE	
6	52473813	0.33	THRUST PLATE	
7	524A2303	1	DRIVE GEAR 1°VEL.50-60CV	
8	58179169	33	ROLLER	
9	F0801280100	1	SAFETY RING	
10	58175937	1	LOCK SYNCHRONIZER	
11	58072505	1	SHOULDERED WASHER	
12	52479164	1	DRIVEN GEAR	
13	F0812918050	1	ROLLER CAGE	
14	F0812686100	1	ROLLER CAGE	
15	524A2302	1	DO.DRI.GEAR 3°-4°VEL50-60CV	
16	F0812732080	1	ROLLER CAGE	
17	52473796	1	THRUST PLATE	
18	58173797	1	BEARING	
19	52473721	1	SLEEVE	
20	52471459	1	SLIDING SLEEVE	
21	F0812871030	2	ROLLER CAGE	
22	56271457	1	SPACER	
23	52479160	1	DOUBLE GEAR	
24	56471461	1	BUSHING	
25	52479157	1	SPEED GEAR	
26	56371661	0.2	ADJUSTING RING	

SERIAL

GEARS TRANSMISSION SHAFT / GEARS

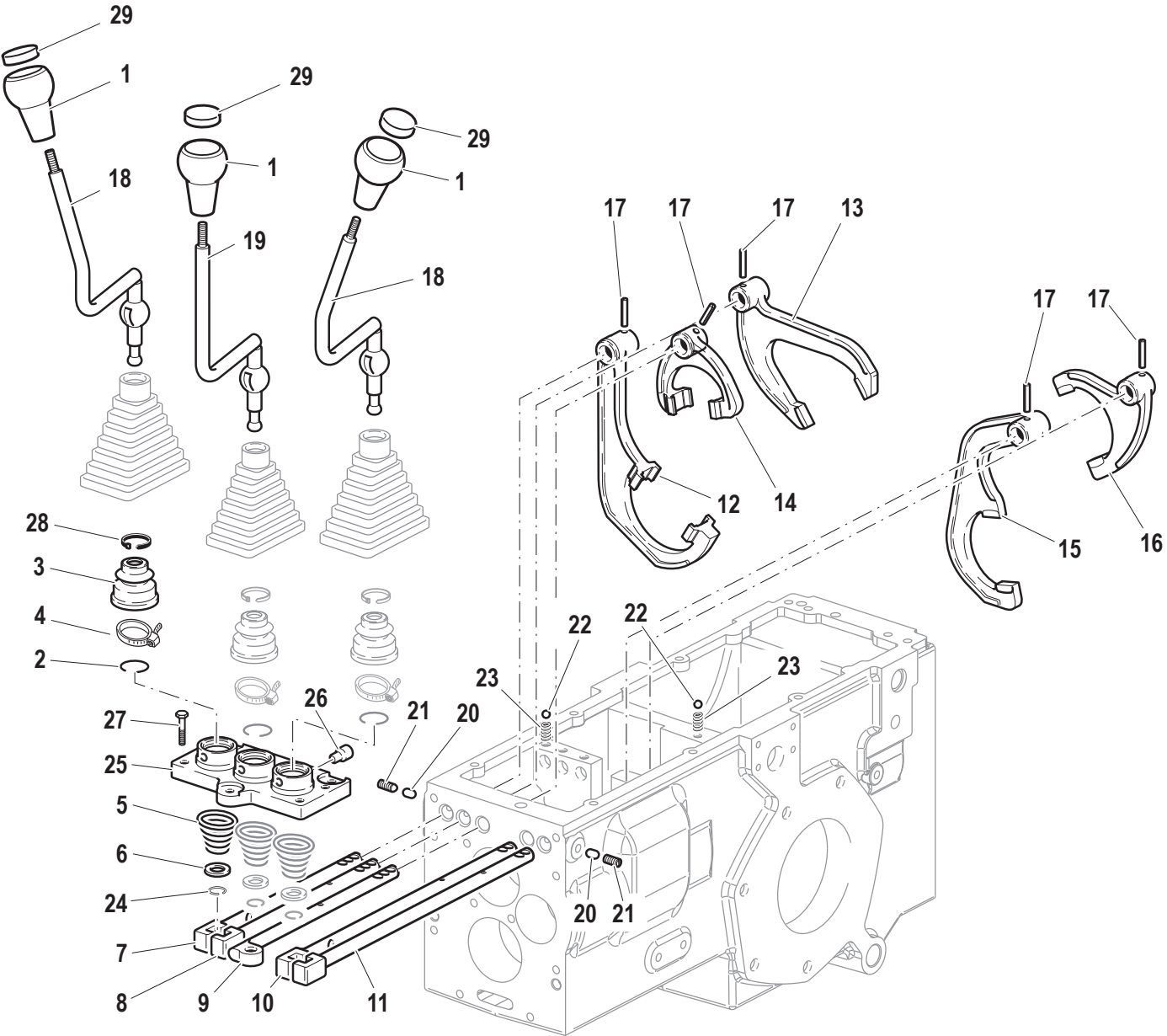
CODE REV

D.08.01.L20003_0



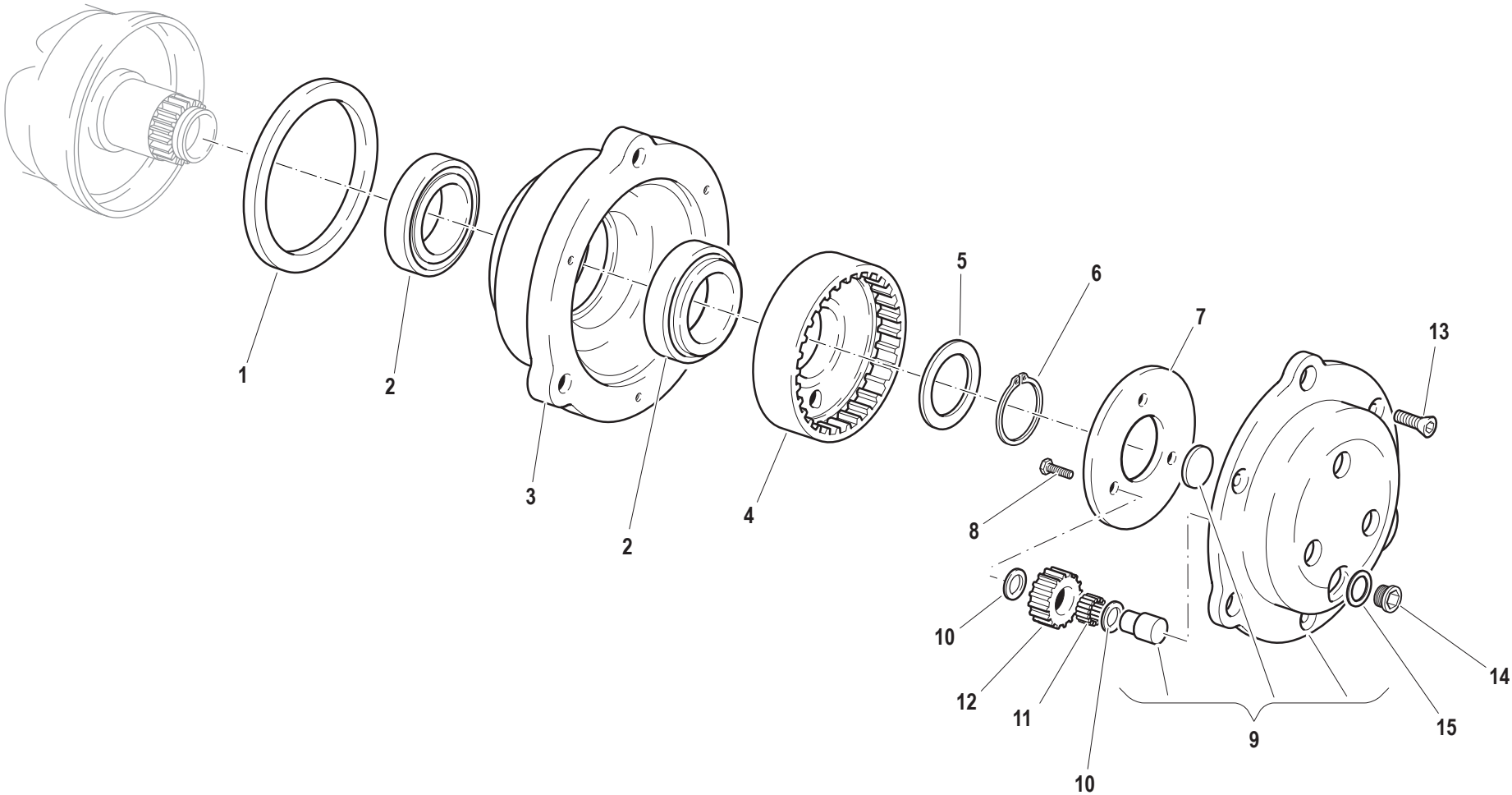
Pos.	Code	Q.ty	Description	Notes
26	56371662	0.2	ADJUSTING RING	
26	56371663	0.2	ADJUSTING RING	
26	56371664	0.2	ADJUSTING RING	
26	56373440	0.2	ADJUSTING RING	

GEARBOX CONTROLS

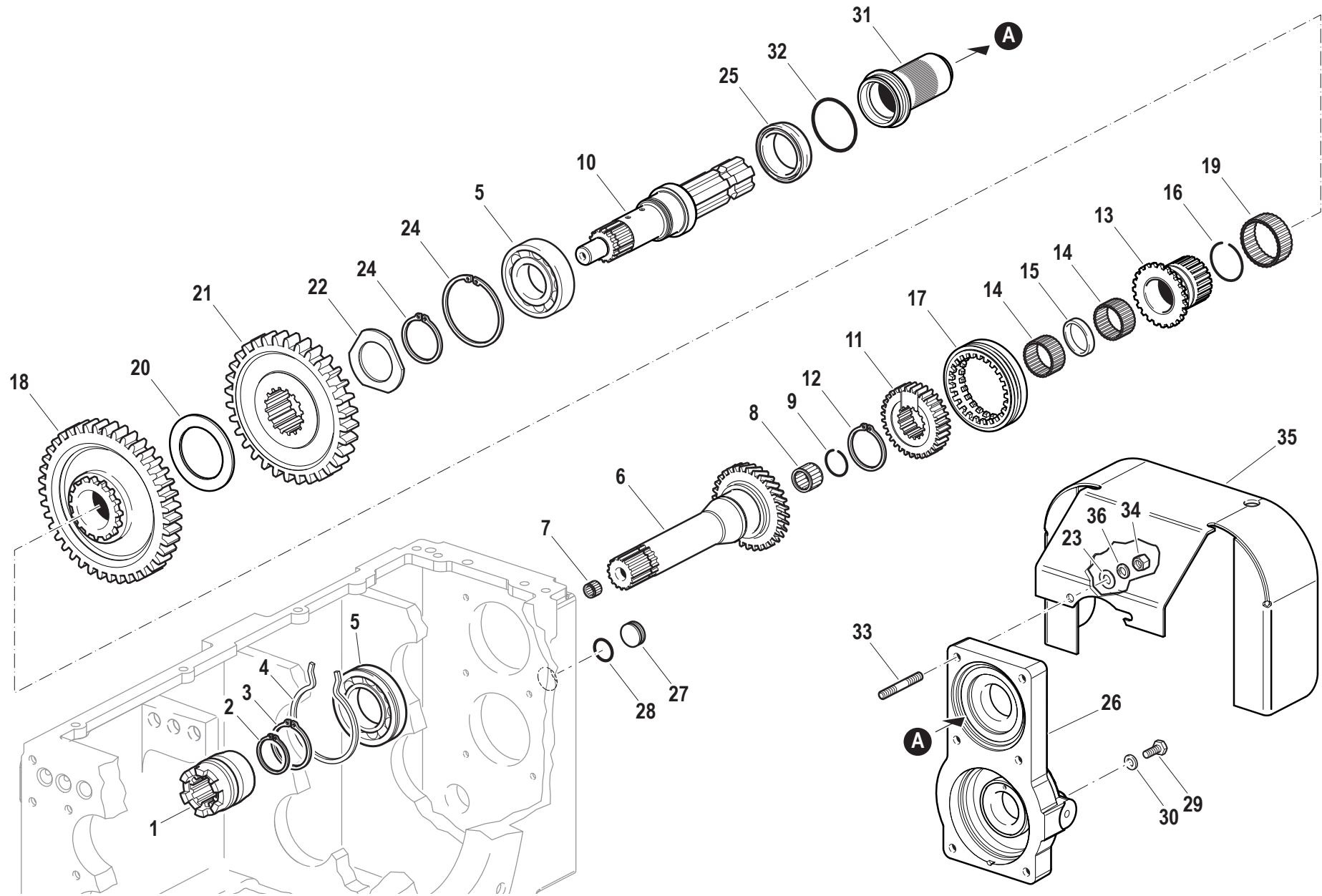


Pos.	Code	Q.ty	Description	Notes
1	581A1577	3	KNOB	
2	58070169	3	LOCKRING	
3	551A1603	3	GEAR LEVERS CAP	
4	F0817500470	3	CLAMP	
5	58070164	3	SPRING	
6	56370172	3	SPACER	
7	56379287	1	PULL ROD	
8	56379290	1	PULL ROD	
9	56379286	1	PULL ROD	
10	56379289	1	PULL ROD	
11	56379288	1	PULL ROD	
12	52275923	1	SELECTOR FORK	
13	52373240	1	SELECTOR FORK	
14	52275924	1	SELECTOR FORK	
15	51272405	1	SELECTOR FORK	
16	51279318	1	GEAR FORK	
17	F0851180000	5	PIN 5X26 DIN 1481 CL:C72	
18	523A2301	2	GEAR LEVER +GAMME K60-V65-REV-	
19	523A2300	1	REVERSE GEAR LEVER K60-V65-REV	
20	56571697	2	TOGGLE	
21	F0863105000	2	SCREW	
22	F0847434000	5	BALL	
23	58070741	5	SPRING	
24	58070168	3	LOCKRING	
25	511A2298	1	COP.LEVE CAMBIO K60-65-REV-	
26	56370018	6	HINGE PIN	
27	P000000005008	4	SCREW M8X30 DIN 7984 8G	
28	F0817640003	3	CLAMP 4,8x180	
29	561A1576	3	ALU KNOB COVER	

REDUCTION GEARS



Pos.	Code	Q.ty	Description	Notes
1	F0802700150	2	SEAL 125x150x12	
2	F0812973000	4	BEARING	
3	51172508	2	HUB	
4	52473920	2	CROWN WHEEL	
5	56371575	0.3	SHIM	
5	56371576	0.3	SHIM	
5	56371577	0.3	SHIM	
5	56371578	0.3	SHIM	
5	56371579	0.3	SHIM	
5	56373349	0.3	SHIM	
5	56373350	0.3	SHIM	
6	F0801346000	2	SEEGER RING	
7	56173919	2	ADJUSTING RING	
8	F0862090000	6	SCREW	
9	59273944	2	COVER	
10	58171567	12	SHIM	
11	58171653	120	ROLLER	
12	52473921	6	PLANETARY GEAR	
13	F0862655000	6	SCREW M8X25-5933	
14	56370081	2	PLUG	
15	F0844273090	2	GASKET 22X28X1,5 CU 99,5	



Pos.	Code	Q.ty	Description	Notes
1	52474190	1	GEAR SLEEVE	
2	35121030	1	SEEGER RING	
3	35121040	1	SEEGER RING	
4	58179237	1	SEEGER RING	
5	F0812899000	2	BEARING 6208-NR	
6	52479220	1	CONTROL SHAFT	
7	F0812525100	1	BUSHING	
8	F0812599090	1	ROLLER CAGE	
9	F0801175500	1	SAFETY RING	
10	52479225	1	PTO SHAFT	
11	52479223	1	FIX SLEEVE	
12	F0801244080	1	SEEGER RING	
13	52479222	1	GEAR SLEEVE	
14	37321317	2	ROLLER CAGE	
15	56379267	1	SPACER	
16	37931413	1	SAFETY RING	
17	52479233	1	SHIFTING CLAW	
18	524A2294	1	DRIVE GEAR PDF 540 K60-V65	
19	F0812951200	1	ROLLER CAGE K 50X55/20 H	
20	56475568	1	SHIM	
21	524A2296	1	DRIVE GEAR PDF 750 K60-V65	
22	56479240	1	THRUST PLATE	
23	31411084	2	WASHER 8,4x17	
24	F0801297050	2	SEEGER RING	
25	F0802228005	1	SEAL 48x65/10	
26	59379041	1	COVER	
27	56074313	1	PLUG	
28	F0803199010	1	O-RING	
29	F0862448100	1	SCREW M8X10 UNI 5740	
30	F0843641000	1	COPPER WASHER 8x14/1,5	
31	P470330000000	1	GUARD	
32	P470433000000	1	PROTECTIVE RING	
33	31312087	6	PRIG.M8x40 UNI 5911 8.8 ZNT/B	
34	31211080	6	NUT M8	

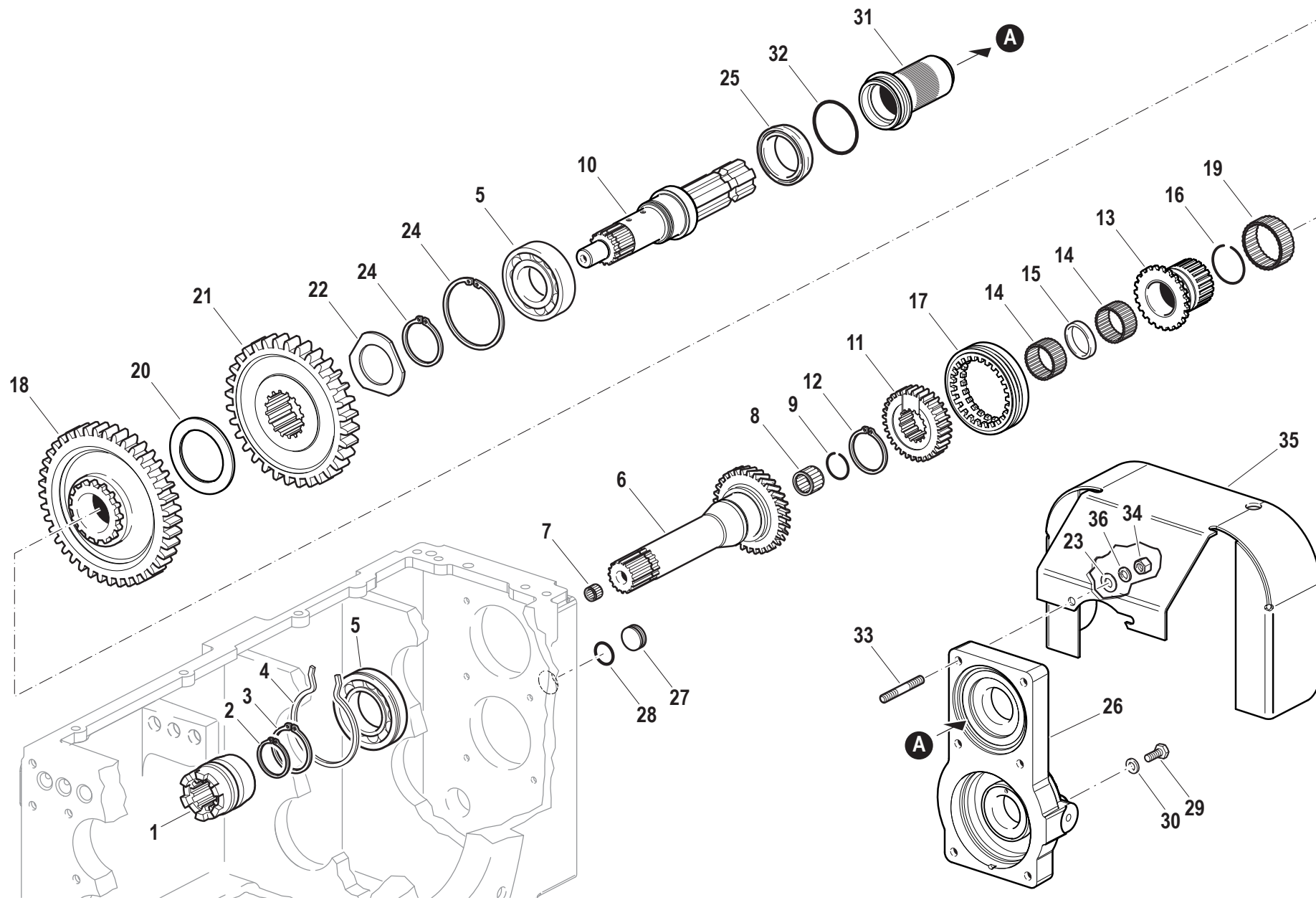
SERIAL

POWER TAKE-OFF

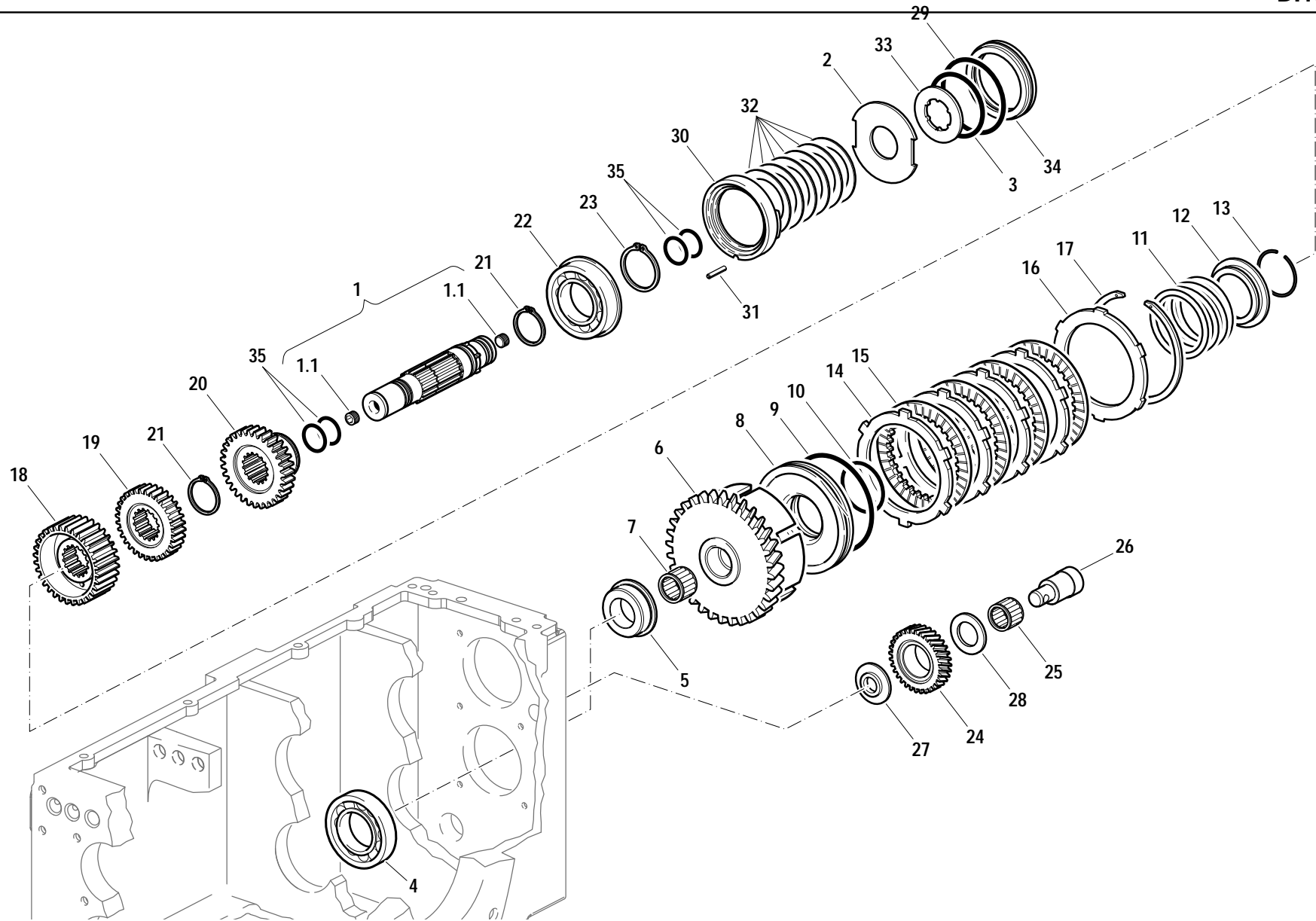
CODE REV

D.14.01.L20003_0

POWER TAKE-OFF



Pos.	Code	Q.ty	Description	Notes
35	560A1035	1	P.T.O. PROTECTION	
36	F0843643060	2	WASHER 8	



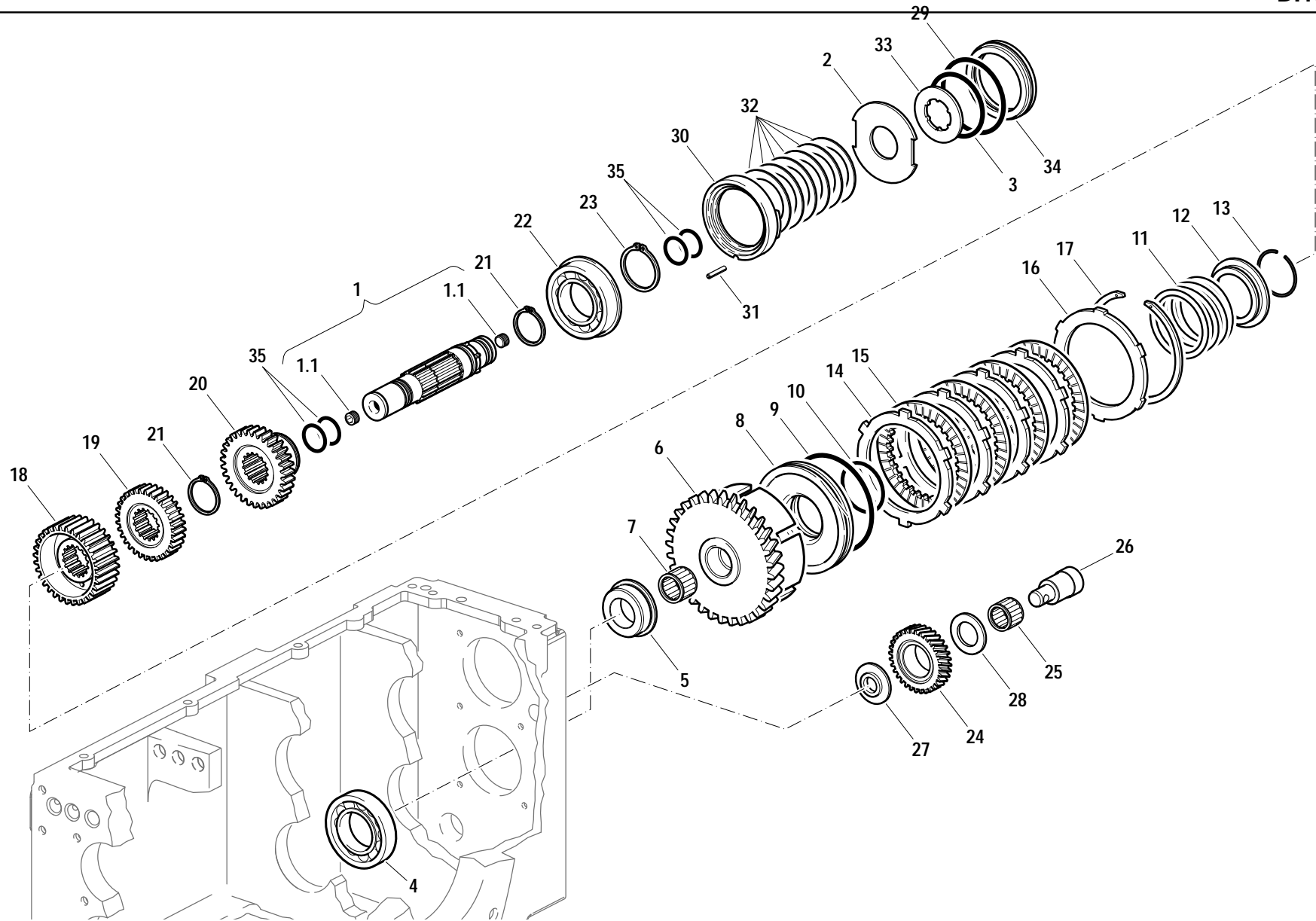
Pos.	Code	Q.ty	Description	Notes
1	525A1190	1	SHAFT	
1,1	F0852578060	2	CONICAL PLUG	
2	56473890	0.3	BRAKE DISC	
2	56474713	0.1	BRAKE DISC	
2	56474714	0.1	BRAKE DISC	
2	56475517	0.25	BRAKE DISC	
2	56475518	0.25	CLUTCH DISC	
3	38116317	1	RING	
4	37112503	1	BEARING	
5	56479239	1	BUSHING	
6	56479221	1	CLUTCH HOUSING	
7	F0812736010	1	ROLLER CAGE K 30X35/20 H	
8	53279226	1	PISTON	
9	58172400	1	GASKET	
10	58172402	1	GASKET	
11	58074092	1	RESTORING SPRING	
12	563A2120	1	RING	
13	58072399	1	SAFETY RING	
14	58172448	4	DISC	
15	58172447	4	DISC	
16	52372292	1	RING	
17	58072389	1	CIRCLIP	
18	52579229	1	DISC HUB	
19	524A2293	1	CONDUCTOR GEAR	
20	524A2295	1	CONDUCTOR GEAR	
21	F0801264050	2	SEEGER RING	
22	37111461	1	BEARING	
23	F0801331000	1	SEEGER RING	
24	52479236	1	GEAR	
25	F0812689050	1	ROLLER CAGE K 25X33/20	
26	52479238	1	GEAR PIN	
27	56479241	1	THRUST PLATE	
28	56479242	1	THRUST PLATE	
29	38118720	1	O-RING	

SERIAL

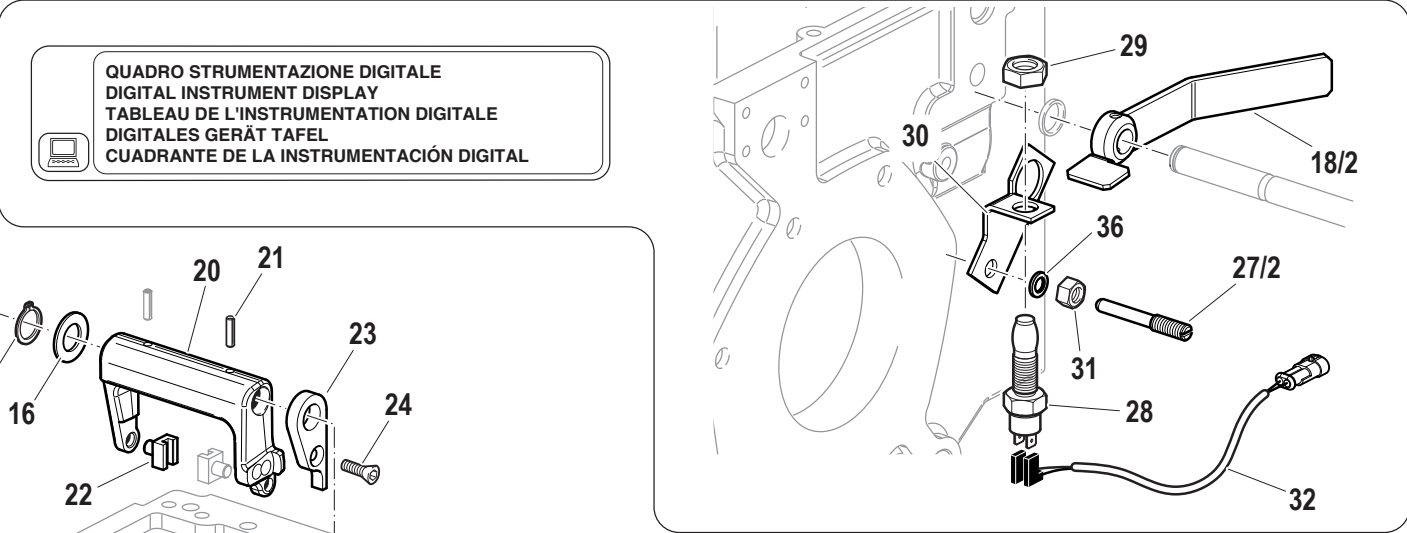
PRESA DI FORZA

CODE REV

D.15.01.L20003_0



Pos.	Code	Q.ty	Description	Notes
30	56479039	1	SPACER	
31	F0851226000	1	PIN 6X12 UNI 1707 CL:C20	
32	58075515	6	SPRING	
33	56475844	1	CLUTCH DISC	
34	53273891	1	PISTON	
35	58072398	4	SEAL	



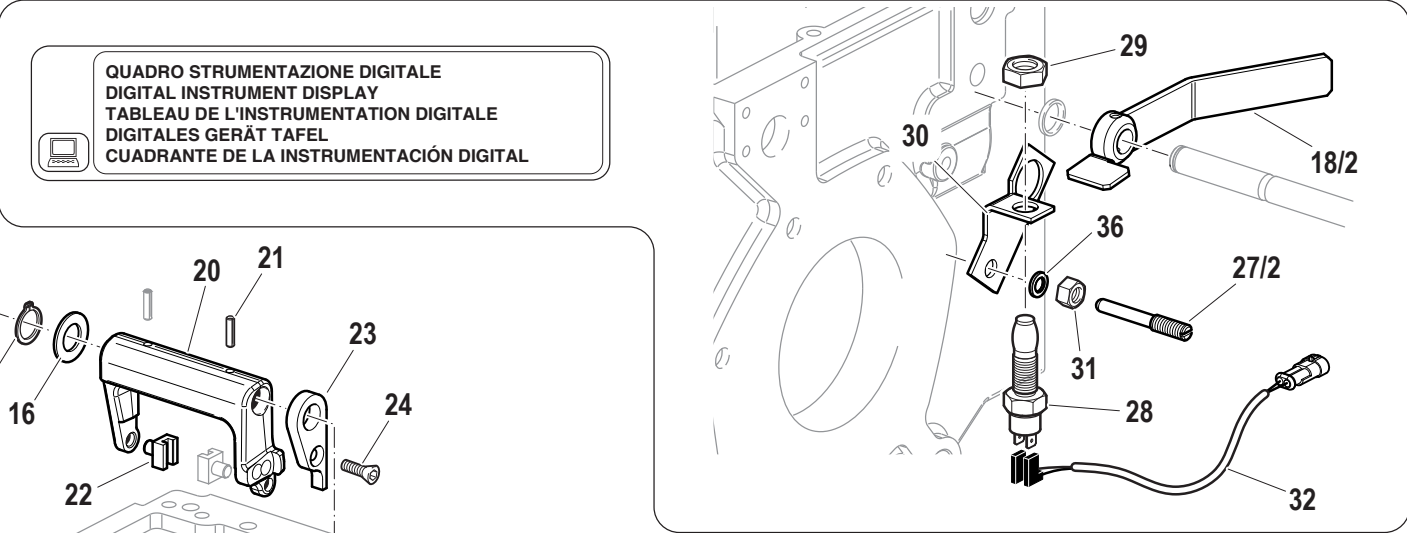
Pos.	Code	Q.ty	Description	Notes
1	59072754	1	PLATE	
2	31112150	3	SCREW TE M8X20 UNI 5739 8G	
3	F0843643060	3	WASHER 8	
4	52371679	1	LEVER	
5	38112200	1	O-RING	
6	52472430	1	SELECTOR FORK	
7	561A0430	1	SMALL BLOCK	
8	34211054	2	ROLL PIN	
9	58070741	2	SPRING	
10	F0847434000	1	BALL	
11	590A2059	1	LEVA COMPL.COM.PDF K60-65-REV-	
12	56379323	1	TOGGLE	
13	58177240	1	GRIP	
14	56379325	1	ROD	
15	38211601	2	OIL SEAL BA 16x24x4	
16	31411170	1	WASHER 17x30	
17	F0801116050	1	SEEGER RING	
19	F0828468050	1	GRIP	
20	59079319	1	SELECTOR FORK	
21	34213054	2	ROLL PIN	
22	52479321	2	SHOE	
23	56179322	1	BRACKET	
24	31132562	1	SCREW TSVEI M6X16 UNI 5933	
25	56379320	1	CASING	
26	F0844030070	1	COPPER WASHER 16,0x22/1,5	
28	58173230	1	PUSH-BUTTON	
29	F0814744050	1	NUT M14X1,5	
30	590A0101	1	BRACKET	
31	31212100	1	NUT M10	
32	580A0482	1	CABLE	
33	31112093	1	SCREW TE M6X20	
34	F0843570000	1	WASHER 6	
35	55178581	1	BELLOWS	
36	F0843755000	1	WASHER 10	

SERIAL

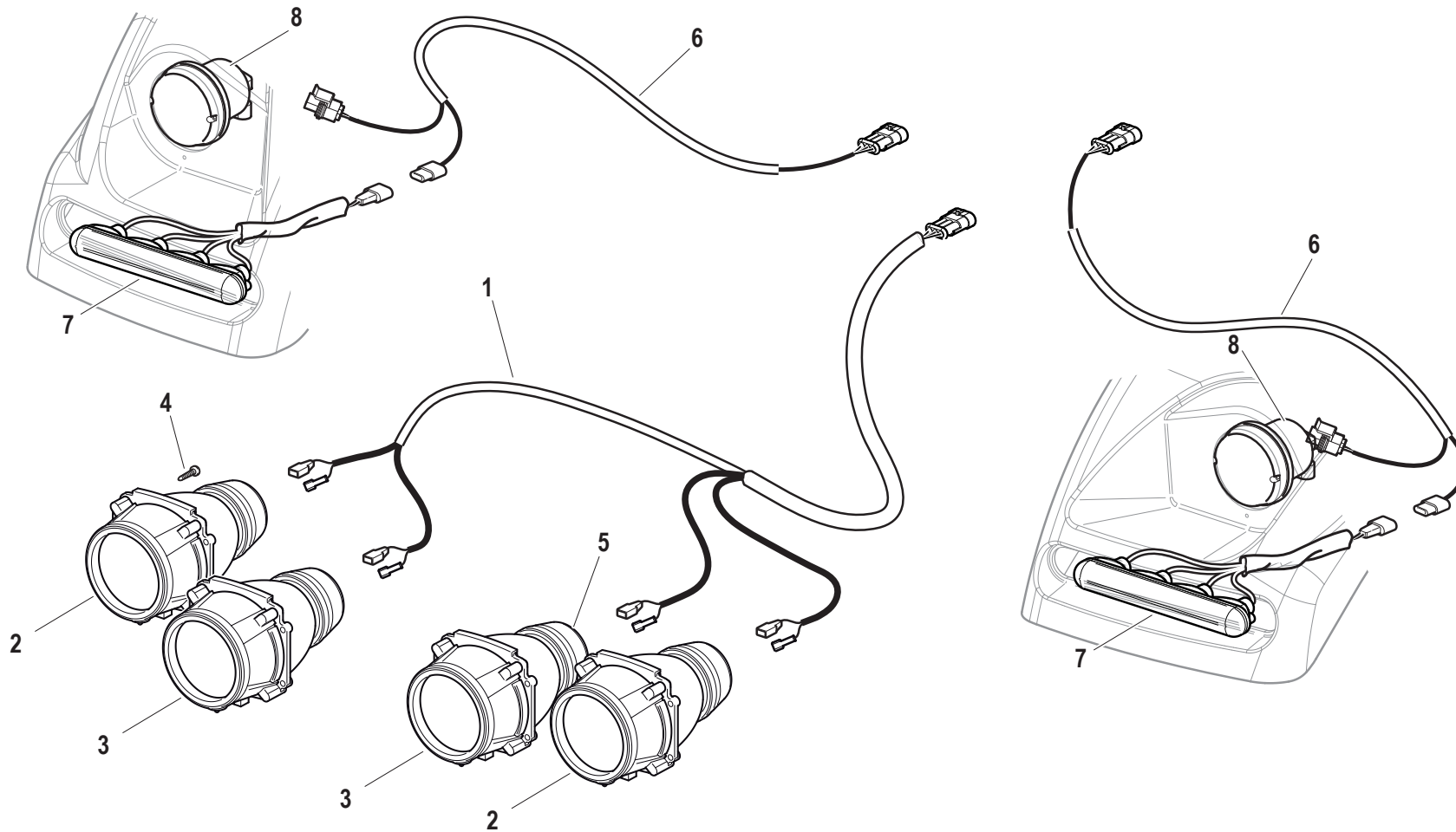
POWER TAKE-OFF CONTROLS

CODE REV

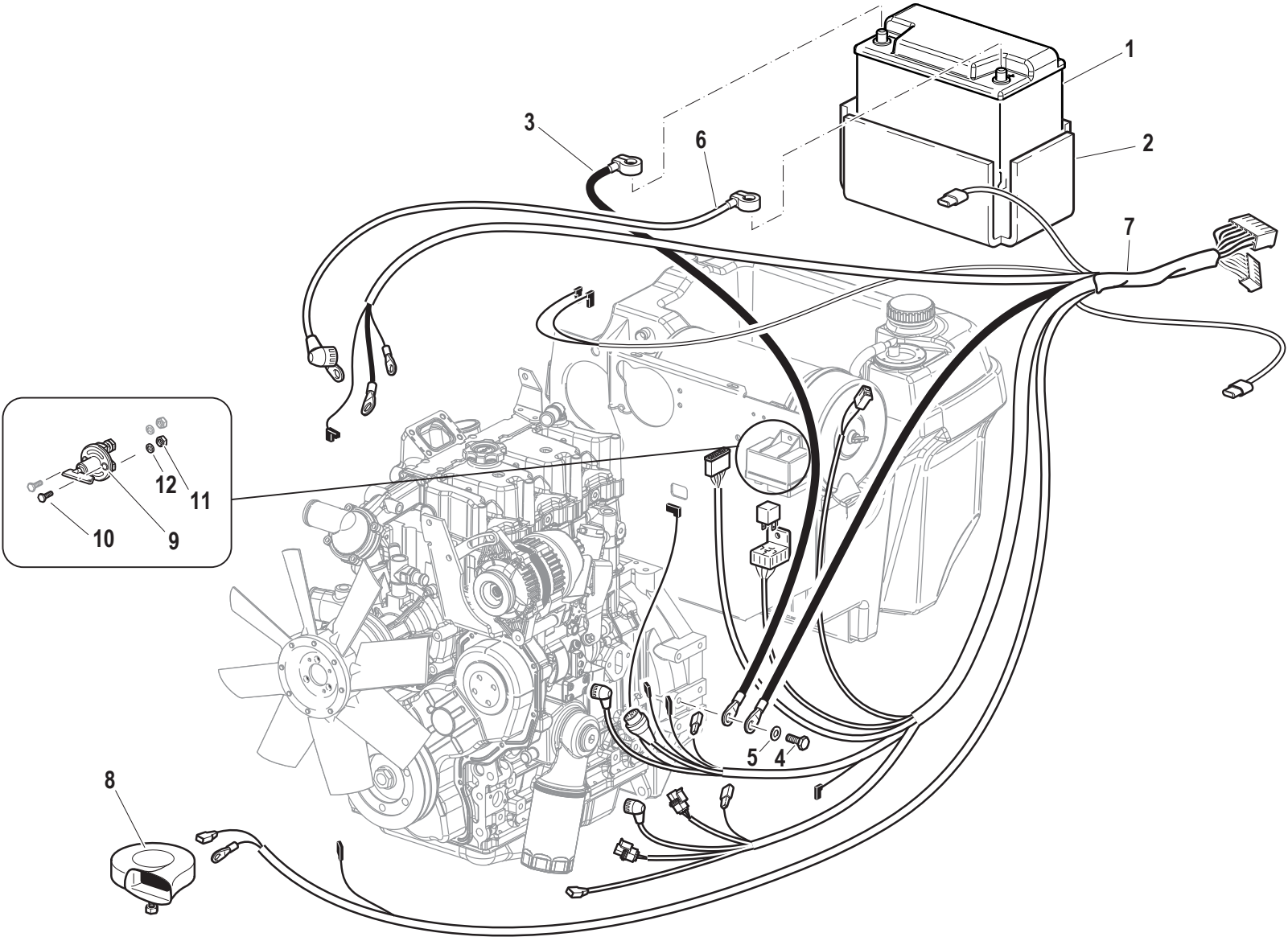
D.16.02.L20004_0



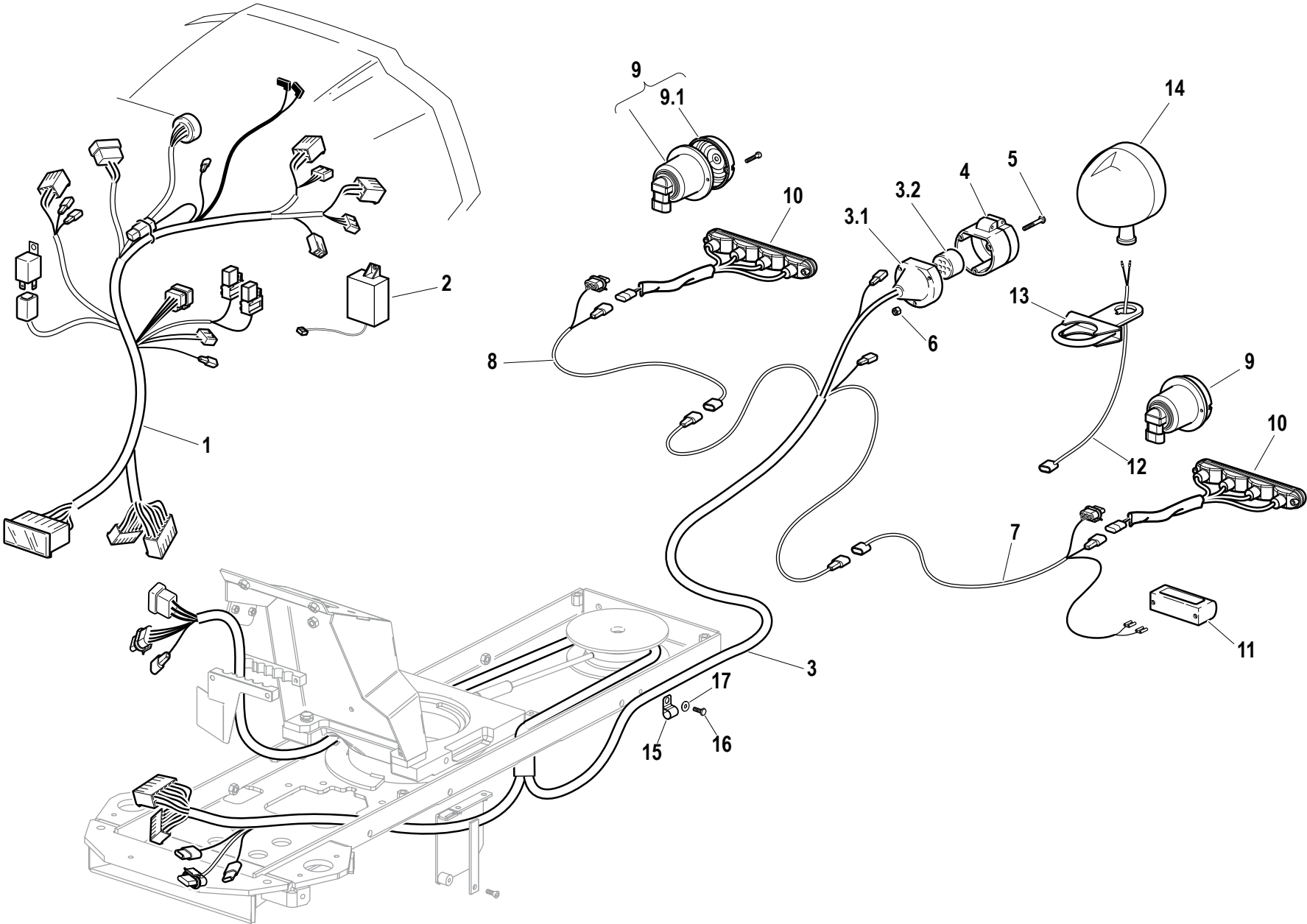
Pos.	Code	Q.ty	Description	Notes
18/1	59079324	1	PTO LEVER	
18/2	590A0329	1	PTO LEVER	
27/1	56379266	1	VITE M10x1,5/55 C40BON.ZNT/B *	
27/2	563A0095	1	VITE M10x1,5/72 C40BON.ZNT/B	



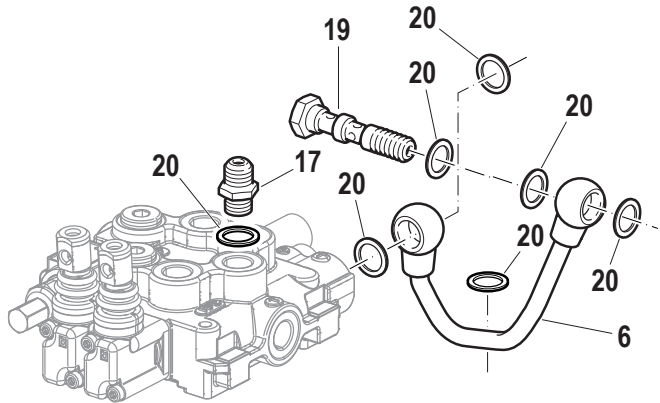
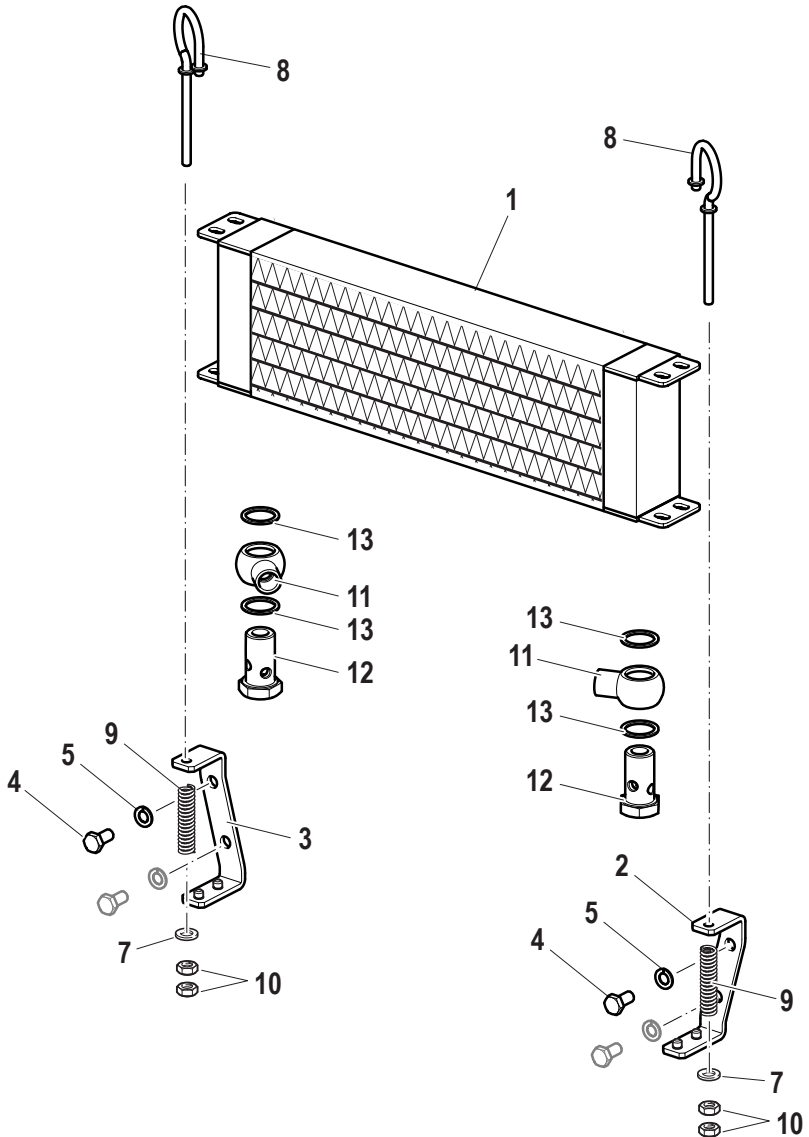
Pos.	Code	Q.ty	Description	Notes
1	580A0478	1	CABLE	
2	581A0071	2	OPTICAL GROUP	
3	58176395	2	OPTICAL GROUP	
4	F0861867050	16	SCREW M4,2X19 DIN 7981	
5	58176743	4	CAP	
6	580A0479	2	CABLE	
7	58176406	2	INDICATOR	
8	581A0988	2	LAMP	



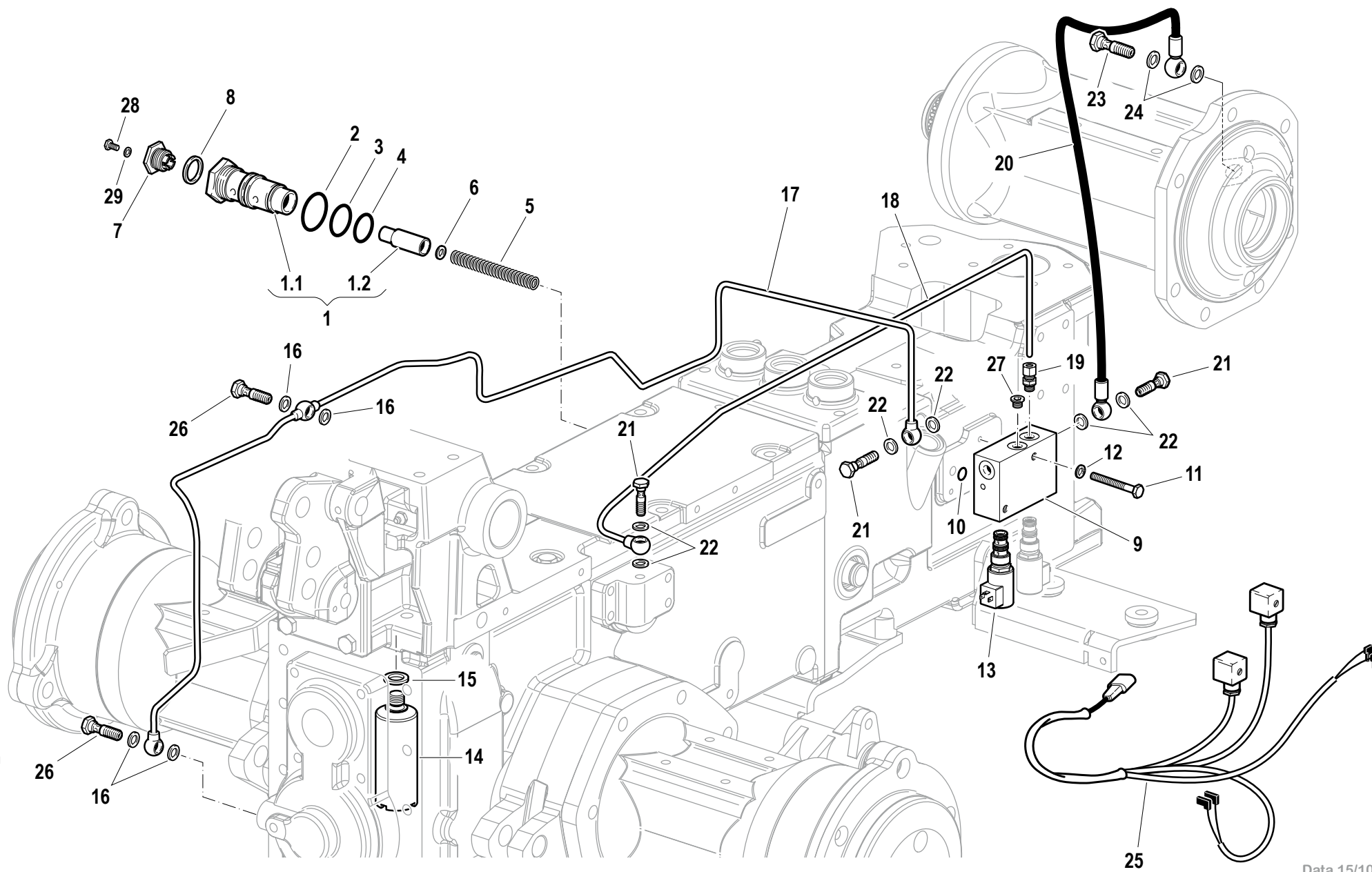
Pos.	Code	Q.ty	Description	Notes
1	F0825480100	1	BATTERY	
2	F0190018909	1	LINING	
3	580A3036	1	CABLE	
4	31112880	1	SCREW TE M12X1,25X20 UNI5740	
5	F0843755000	1	WASHER 10	
6	580A3035	1	CABLE	
7	580A2742	1	CAVO ANT. MOTORE K60 - A4759 *	
8	F0825417000	1	HORN	
9	561A0929	1	FIXING BRACKET	
10	31112208	1	SCREW TE M10X16 UNI 5739	
11	F0843755000	1	WASHER 10	



Pos.	Code	Q.ty	Description	Notes
1	58079881	1	CABLE	
2	58175700	1	SWITCHING CONTROL UNIT	
3	580A2747	1	CAVO CENTRALE K60-V65-REV-	
4	F0825438000	1	SOCKET	
5	F0861941000	3	SCREW	
6	31211050	3	NUT M5	
7	580A2757	1	CAVO LUCI POST.SX K60-V65	
8	580A0481	1	CABLE	
9	58176396	2	LAMP	
10	58176406	4	INDICATOR	
11	30000506	1	LAMP	
12	58077305	1	CABLE	
13	59077242	1	SUPPORT	
14	F0825493000	1	HEADLIGHT	
15	F0825416000	2	CLAMP	
16	31111090	2	SCREW	
17	31411064	2	WASHER 6,4x12,5	
18	F0843561000	3	WASHER 5	
19	561A2741	1	STAF.BL.CONN.I.E K60-65REV grz	
20	31111089	2	SCREW TE M5X10 UNI 5739 8G	
3,1	58170572	1	CAP	
3,2	58170571	1	ATTACHMENT PLUG	
9,1	59901087	2	REAR LIGHT GLASS	



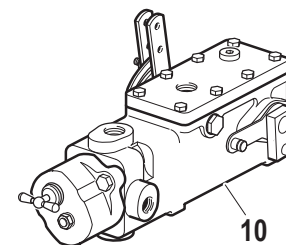
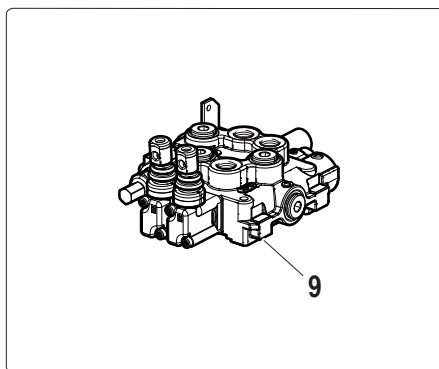
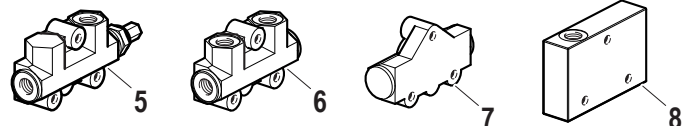
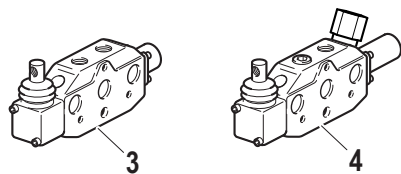
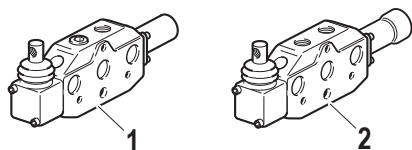
Pos.	Code	Q.ty	Description	Notes
1	581A2355	1	OIL EXCHANGER	
2	590A2228	1	SUPP.DX SCAMBIATORE K60 grz	
3	590A2229	1	SUPP.SX SCAMBIATORE K60 grz	
4	31111151	4	SCREW TE M8X16 UNI 5739 8G	
5	F0843643060	4	WASHER 8	
6	590A1204	1	TUBO SCAR.DISTR.PM 55-65-RS-	
7	31411064	2	WASHER 6,4x12,5	
8	59077943	2	ROD	
9	58077942	2	SPRING	
10	F0814547000	2	SELFLOCK NUT M6	
11	561A0546	2	PIPE FITTING	
12	56172547	2	THREADED TERMINAL END	
13	F0824113000	4	COPPER WASHER 18X24/1,5	
14	580A3042	1	TUBO FLESS.INGRESSO SCAMB.K60	
15	580A3043	1	TUBO FLESS.USCITA SCAMB.K60	
17	30000197	1	NIPPLE	
20	F0824110000	6	COPPER WASHER 3/8 GAS	



F.04.01.L20003_0

Pos.	Code	Q.ty	Description	Notes
1	59379589	1	VALVE	
2	38112982	1	O-RING	
3	F0803199010	1	O-RING	
4	F0803072050	1	O-RING	
5	580A1227	1	MOLLA VALV.MAX.PRESS.36-65	
6	F0843526000	1	WASHER 4,3x12/1,5	
7	563A3038	1	RACC.REGOLAT.PRESSIONE K60-V65	
8	F0844200050	1	COPPER WASHER	
9	56179531	1	SMALL BLOCK	
10	38110992	2	O-RING	
11	F0862345000	2	SCREW M6X40 UNI 5737	
12	F0843570000	2	WASHER 6	
13	58172463	2	ELECTRO VALVE	
14	59271011	1	UNIT	
15	F0843948000	1	COPPER WASHER 14,0x20/1,5	
16	F0843771000	4	COPPER WASHER 10,0x16/1	
17	590A0570	1	TUBO MANDATA FRIZ.PDF 55-65	
18	590A0571	1	TUBO BLOCC.DIFF.POST.55-65	
19	58174547	1	NIPPLE	
20	580A0536	1	TUBO FLESS.BLOC.ELETTR.55-65CV	
21	56178695	3	THREADED TERMINAL END	
22	P254124000000	7	WASHER	
23	F0843107000	1	PIPE FITTING GAS 1/4	
24	F0843907000	2	COPPER WASHER 13,66x19/1,5	
25	580A1908	1	CAVO ALIMENT.LATO DX 55-65	
26	F0862448100	1	SCREW M8X10 UNI 5740	
27	F0824022000	1	SPECIAL GASKET D.8,4X12/1	
28	F0862448100	1	SCREW M8X10 UNI 5740	

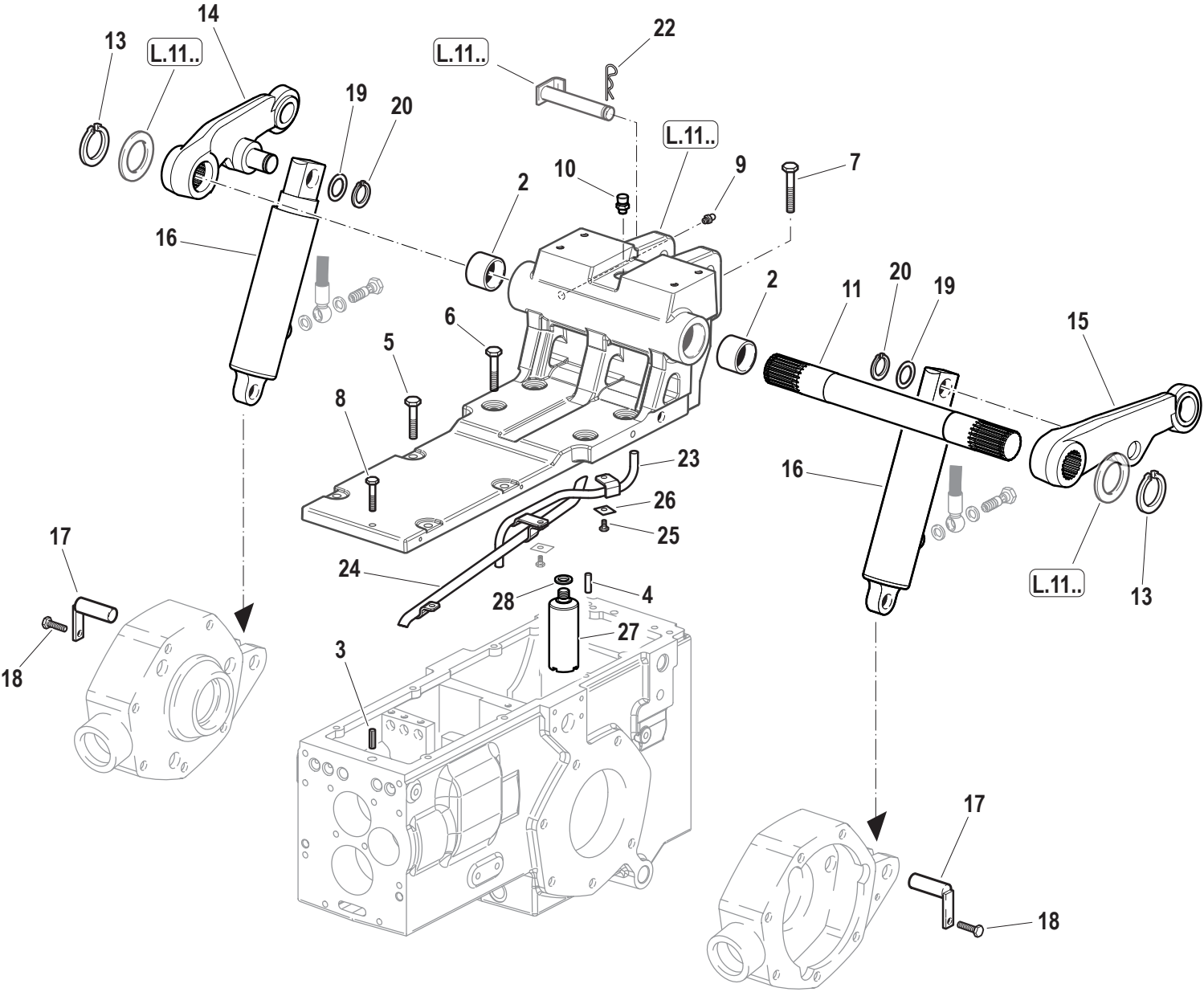
- VEDI TAVOLE GRUPPI...
 - SEE TABLES OF GROUPS...
 - VOIR TABLES GROUPES...
 - SIEHE GRUPPETAFFEL...
 - MIRAR TABLAS GRUPOS...



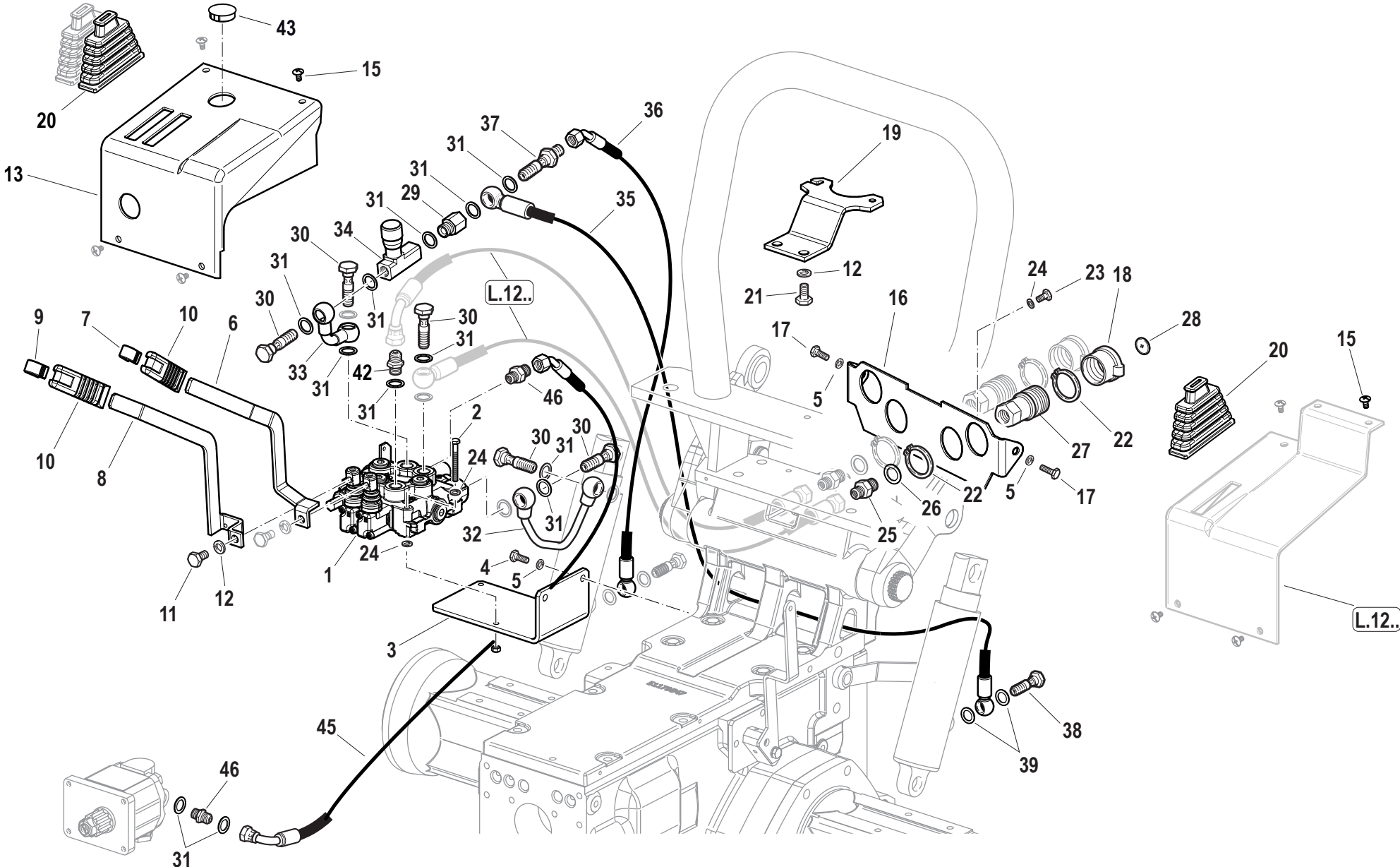
VEDI TAVOLE GRUPPO...
 SEE TABLES OF GROUP...
 VOIR TABLES GROUPE...
 SIEHE GRUPPETAFFEL...
 MIRAR TABLAS GRUPO...



Pos.	Code	Q.ty	Description	Notes
1	58172011	1	S.A. VALVE	
2	58172014	1	D.A. VALVE	
3	58172012	2	D.A. VALVE	
4	581A0444	2	S.A. VALVE	
5	58172304	1	HEAD	
6	581A0443	1	IN HEAD	
7	58172489	1	COVER	
8	58173361	1	COVER	
9	581A0907	1	DISTRIBUTOR	
10	58175472	1	DISTRIBUTOR	



Pos.	Code	Q.ty	Description	Notes
1	51179547	1	2 EXTERNAL RAMS LIFT SUPPORT	
2	58175318	2	BUSHING	
3	56170017	1	PIN	
4	56370228	1	CYLINDRICAL PLUG	
5	31112211	4	SCREW TE M10X30 UNI 5739	
6	31112212	4	SCREW TE M10X35 UNI 5739	
7	F0863359000	4	SCREW M10X40 UNI 5737	
8	31112154	1	SCREW TE M8X40 UNI 5739 8G	
9	F0826056000	1	LUBRICATOR M10 UNI 7663A	
10	58075603	1	PLUG	
11	56579874	1	SHAFT	
12	31414400	2	WASHER 40	
13	F0801297050	2	SEEGER RING	
14	59079592	1	LIFTING ARM	
15	59079593	1	LIFTING ARM	
16	580A1345	2	CILINDRO SOLLEVATORE 55-65	
17	590A1645	2	PERNO INCERN.CILINDRO 36-65	
18	31111151	2	SCREW TE M8X16 UNI 5739 8G	
19	56349629	2	RING	
20	35131026	2	SEEGER RING	
21	59078588	1	CONNECTING BOLT	
22	F0851486000	1	SPLIT PIN	
23	590A0756	1	TUBO SFIATO 55-65	
24	590A2346	1	TUBO LUBR.INVERS.SINCR.55-65	
25	31112082	3	SCREW TE M6X12 UNI 5739 8G	
26	31450060	3	SMALL PLATE	
27	59271011	1	UNIT	
28	F0843948000	1	COPPER WASHER 14,0x20/1,5	



L.02.01.L20004_0

Pos.	Code	Q.ty	Description	Notes
1	581A0907	1	DISTRIBUTOR	
2	31111102	2	SCREW TE M6X50 UNI 5737 8G	
3	56179958	1	RETAINER	
4	31112150	2	SCREW TE M8X20 UNI 5739 8G	
5	F0843643060	3	WASHER 8	
6	561A0003	1	DISTRIBUTOR LEVER	
7	58175188	1	INSERT	
8	561A0004	1	DISTRIBUTOR LEVER	
9	58175211	1	INSERT	
10	58175187	2	KNOB	
11	31112208	2	SCREW TE M10X16 UNI 5739	
12	F0843755000	2	WASHER 10	
13	573A2654	1	COPERT.DX K60-V65 RS-REV-	
14	573A2655	1	COPERT.SX K60-V65 RS-REV-	
15	F0861973100	8	SCREW M6X12 COMBI	
16	590A0091	1	STAFFA SX SUPP.G.RAP.55-65	
17	31111151	1	SCREW TE M8X16 UNI 5739 8G	
18	F0852550100	2	PLUG	
19	590A0093	1	SUPPORTING YOKE	
20	55178581	3	BELLOWS	
21	31112210	2	SCREW TE M10X20 UNI 5739	
22	F0801282000	4	SEEGER RING E 38 UNI 7435	
23	F0862129000	1	SCREW M6X18 UNI 5739 8.8	
24	F0843570000	3	WASHER 6	
25	561A0546	1	PIPE FITTING	
26	56172547	1	THREADED TERMINAL END	
27	F0824113000	2	COPPER WASHER 18X24/1,5	
28	F0842505030	1	PIPE FITTING	
29	30000200	2	EXTENSION	
30	F0843109020	6	PIPE FITTING	
31	F0824110000	15	COPPER WASHER 3/8 GAS	
32	590A1204	1	TUBO SCAR.DISTR.PM 55-65-RS-	
33	590A0544	1	TUBO REGOLATORE FLUSSO 55-65	
34	P241171000000	1	VALVE	

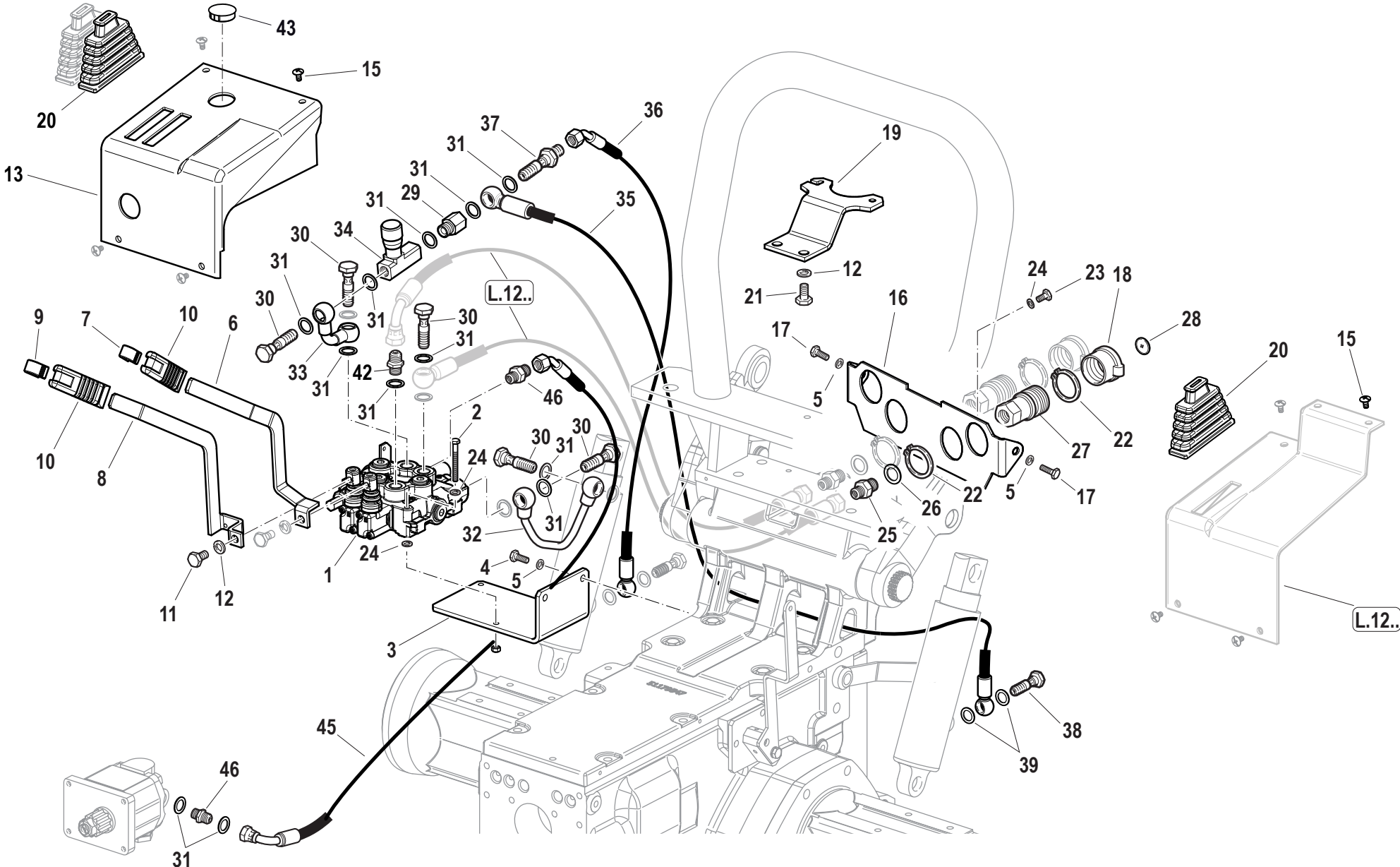
SERIAL

CONTROL VALVES

CODE REV

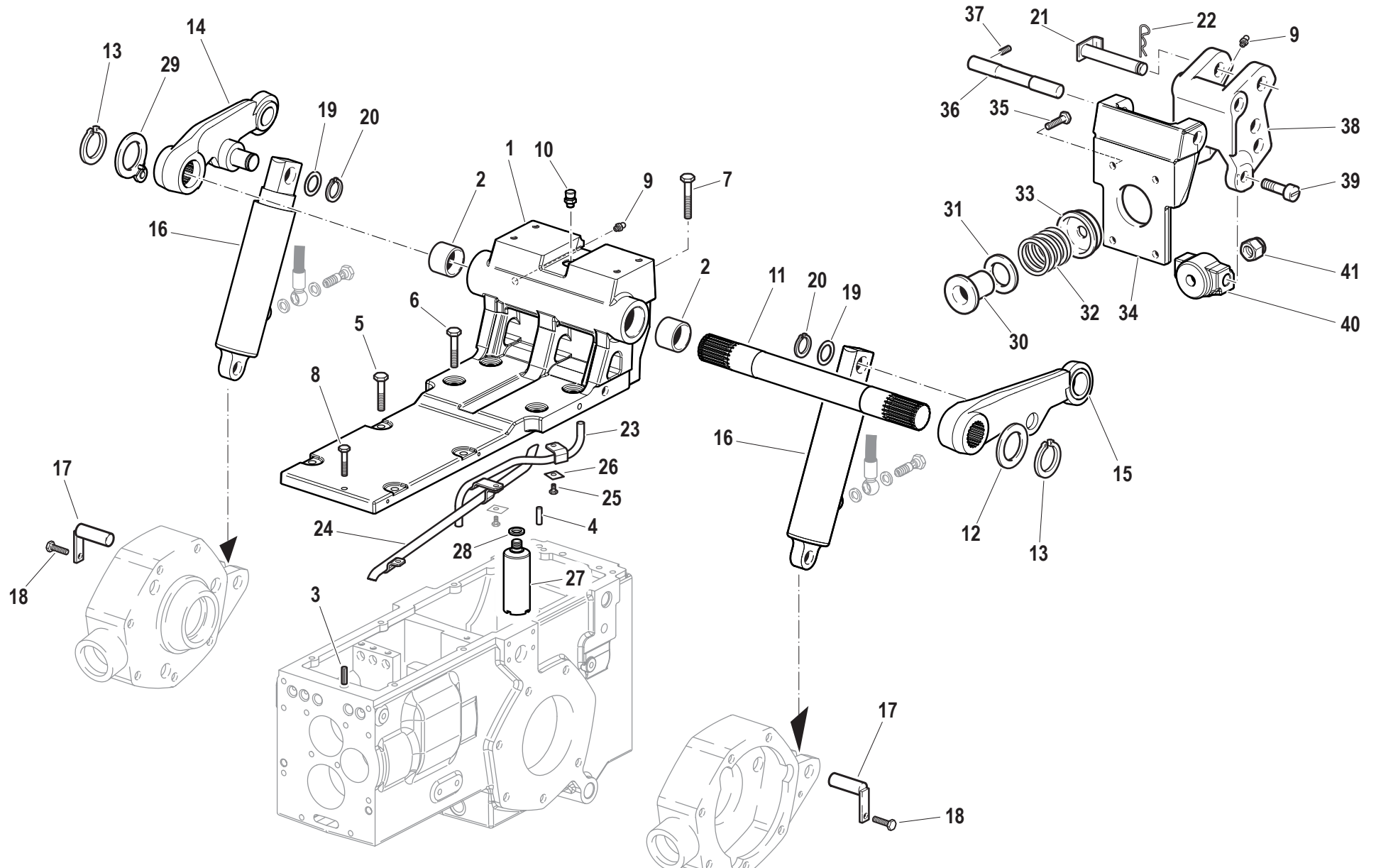
L.02.01.L20004_0

CONTROL VALVES



Pos.	Code	Q.ty	Description	Notes
35	580A0532	1	TUBO FLESS.VALV.REGOL.55-65RS	
36	580A0534	1	TUBO FLESS.VALV.REGOL.55-65CV	
37	56375407	1	TONGUE	
38	F0843107000	2	PIPE FITTING GAS 1/4	
39	F0843907000	4	COPPER WASHER 13,66x19/1,5	
40	580A0528	1	TUBO FLESS.PRESA ANT.55-65CV	
41	580A0529	1	TUBO FLESS.PRESA POST.55-65CV	
42	F0835023000	1	NIPPLE	
43	F0835040000	2	NIPPLE	
44	F0824141000	2	COPPER WASHER 21x27/1,5	
45	F0825980030	2	COUPLING	
46/1	F0852550230	1	DECAL	
46/2	F0852550220	1	DECAL	
46/3	F0852550210	1	DECAL	
46/4	F0852550240	1	DECAL	
46/5	F0852550200	1	DECAL	

POSITION AND DRAFT CONTROL LIFT



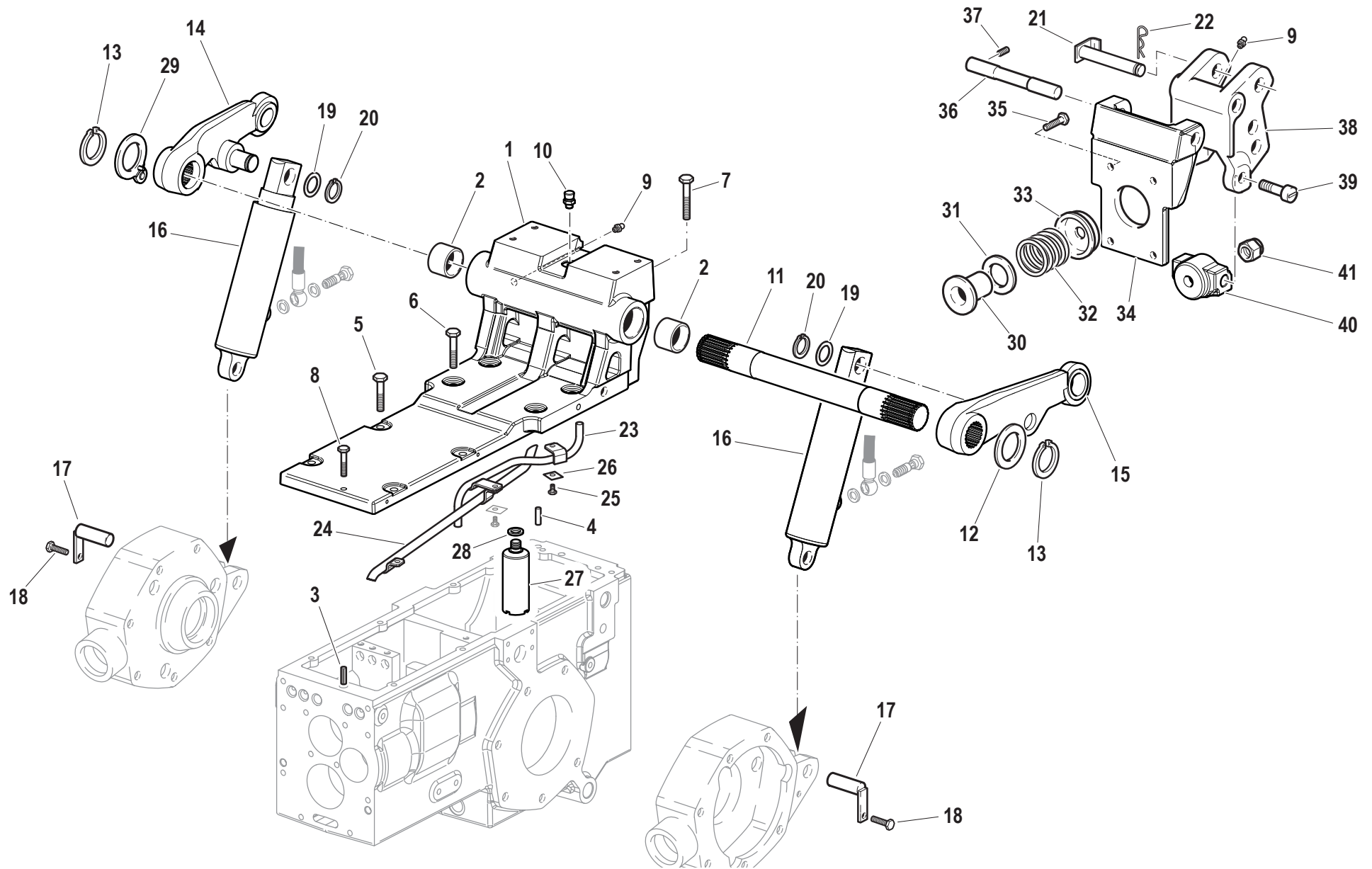
Pos.	Code	Q.ty	Description	Notes
1	51179555	1	SUPP.SOLL.SFORZO CONTR.55-65CV	
2	58175318	2	BUSHING	
3	56170017	1	PIN	
4	56370228	1	CYLINDRICAL PLUG	
5	31112211	4	SCREW TE M10X30 UNI 5739	
6	31112212	4	SCREW TE M10X35 UNI 5739	
7	F0863359000	4	SCREW M10X40 UNI 5737	
8	31112154	1	SCREW TE M8X40 UNI 5739 8G	
9	F0826056000	1	LUBRICATOR M10 UNI 7663A	
10	58075603	1	PLUG	
11	56579874	1	SHAFT	
12	31414400	2	WASHER 40	
13	F0801297050	2	SEEGER RING	
14	59079592	1	LIFTING ARM	
15	59079593	1	LIFTING ARM	
16	580A1345	2	CILINDRO SOLLEVATORE 55-65	
17	590A1645	2	PERNO INCERN.CILINDRO 36-65	
18	31111151	2	SCREW TE M8X16 UNI 5739 8G	
19	56349629	2	RING	
20	35131026	2	SEEGER RING	
21	59078588	1	CONNECTING BOLT	
22	F0851486000	1	SPLIT PIN	
23	590A0756	1	TUBO SFIATO 55-65	
24	590A2346	1	TUBO LUBR.INVERS.SINCR.55-65	
25	31112082	3	SCREW TE M6X12 UNI 5739 8G	
26	31450060	3	SMALL PLATE	
27	59271011	1	UNIT	
28	F0843948000	1	COPPER WASHER 14,0x20/1,5	
29	590A0446	1	SHIM	
30	56072960	1	SLEEVE	
31	56372952	0.25	SHIM	
31	56372953	0.25	SHIM	
31	56372954	0.25	SHIM	
31	56372955	0.25	SHIM	

SERIAL

POSITION AND DRAFT CONTROL LIFT

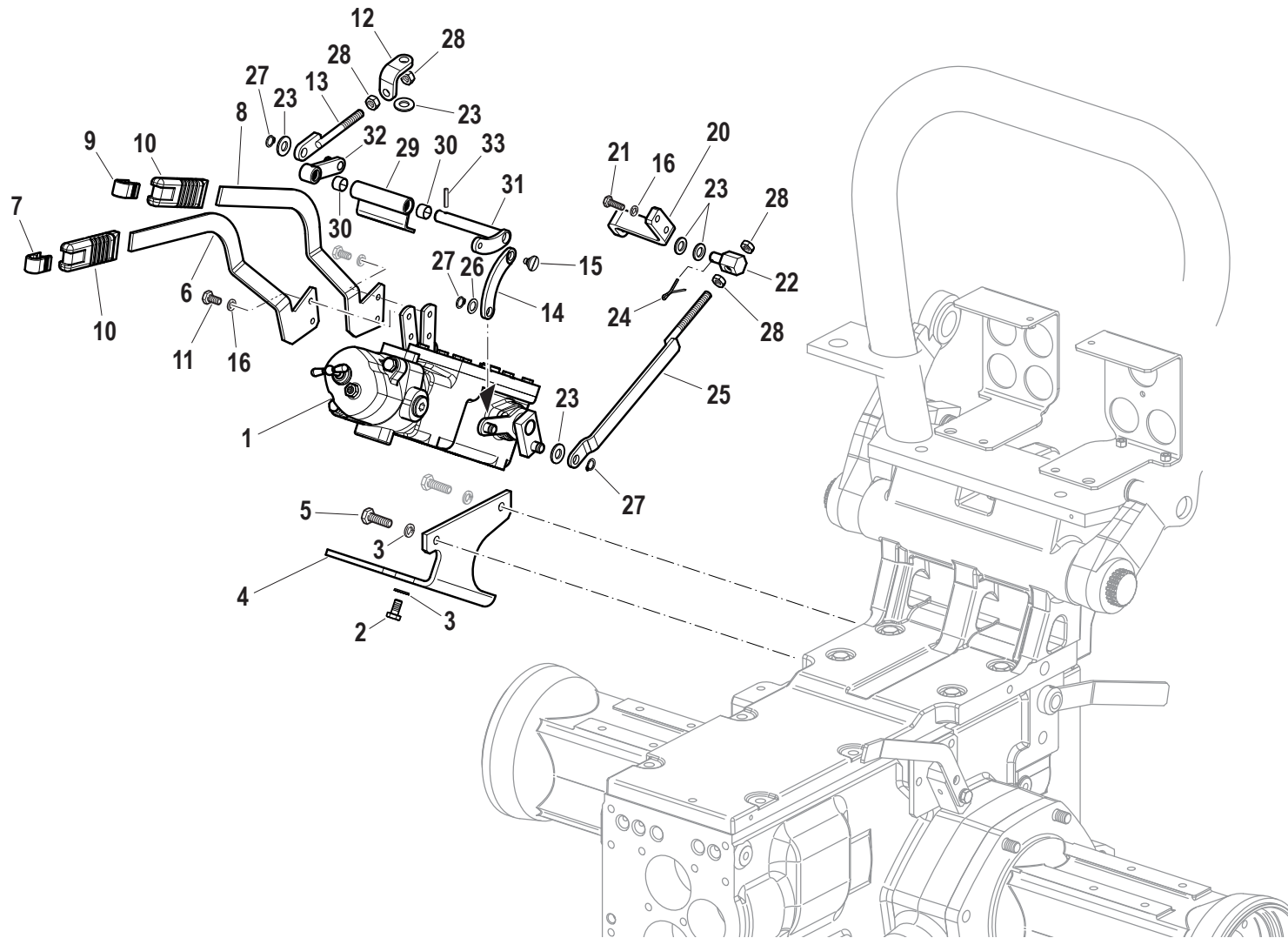
CODE REV

M.01.01.L20003_0



Pos.	Code	Q.ty	Description	Notes
32	58073192	1	SPRING	
33	56073148	1	SLEEVE	
34	51379585	1	BRACKET	
35	31112212	4	SCREW TE M10X35 UNI 5739	
36	56472318	1	HINGE PIN	
37	F0862443010	1	SCREW	
38	51173115	1	THREE-POINT LINKAGE	
39	56572959	2	PIN	
40	51172962	1	SLEEVE	
41	31241142	1	SELFLOCK NUT	

POSITION AND DRAFT CONTROL LIFT



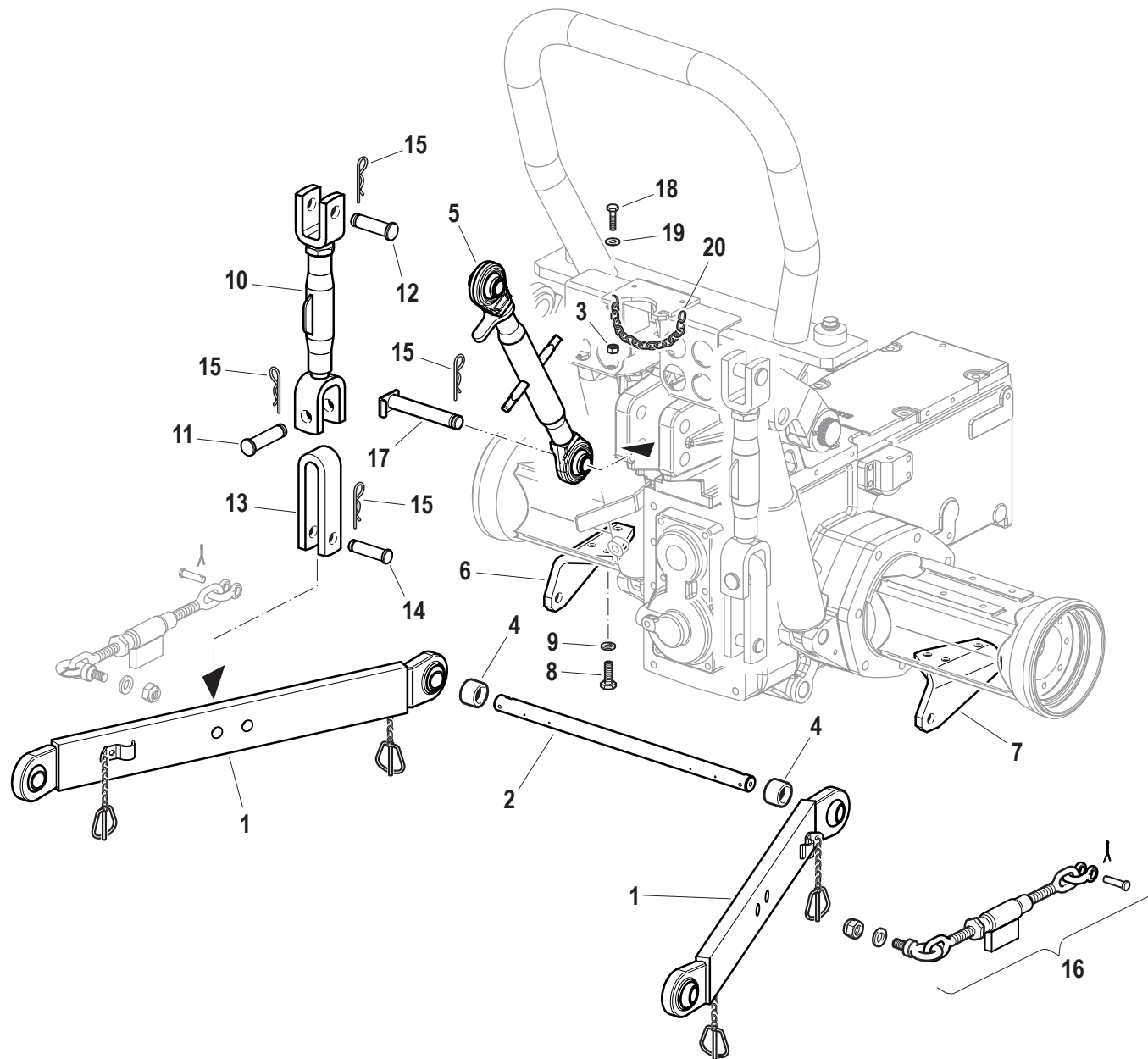
Pos.	Code	Q.ty	Description	Notes
1	58175472	1	DISTRIBUTOR	
2	31111151	4	SCREW TE M8X16 UNI 5739 8G	
3	F0843643060	6	WASHER 8	
4	561A0448	1	FIXING BRACKET	
5	31112151	2	SCREW TE M8X25 UNI 5739 8G	
6	561A2635	1	LEVA C.SF.DIST.MITA56/66RS grz	
7	58175188	1	INSERT	
8	561A2636	1	LEVA CO.PO.DI.MITA 56/66RS grz	
9	58175211	1	INSERT	
10	58175187	2	KNOB	
11	31111090	4	SCREW	
15	563A0450	1	HINGE PIN	
16	F0843570000	3	WASHER 6	
17	58177761	1	KNOB	
18	56075197	1	CLIP	
19	56077760	1	SMALL BLOCK	
20	56075473	1	BRACKET	
21	31112093	2	SCREW TE M6X20	
22	56075265	1	HINGE PIN	
23	31411104	4	WASHER 10,5x18	
24	34110030	1	SPLIT PIN	
25	590A2629	1	TIR.LEVA SFOR.DIS.MITA K60-65	
26	F0843771000	1	COPPER WASHER 10,0x16/1	
27	F0801050000	4	SEEGER RING	
28	31231080	4	NUT M8	
29	590A0454	1	RH HINGE	
30	P000000309112	2	BUSHING	
31	590A0451	1	LEVA RINV.POS.MITA 55-65	
32	590A0457	1	LEVA DX RINV.POS.MITA 55-65	
33	34213020	1	ROLL PIN	
34	563A2631	1	STAF.TIR.POS.DIS.MITA K60-65	
35	590A0638	1	TIR.LEVA POSIZ.55-65-MITA-	
36	563A0449	1	STAFFA COLL.RINV.MITA 55-65CV	

SERIAL

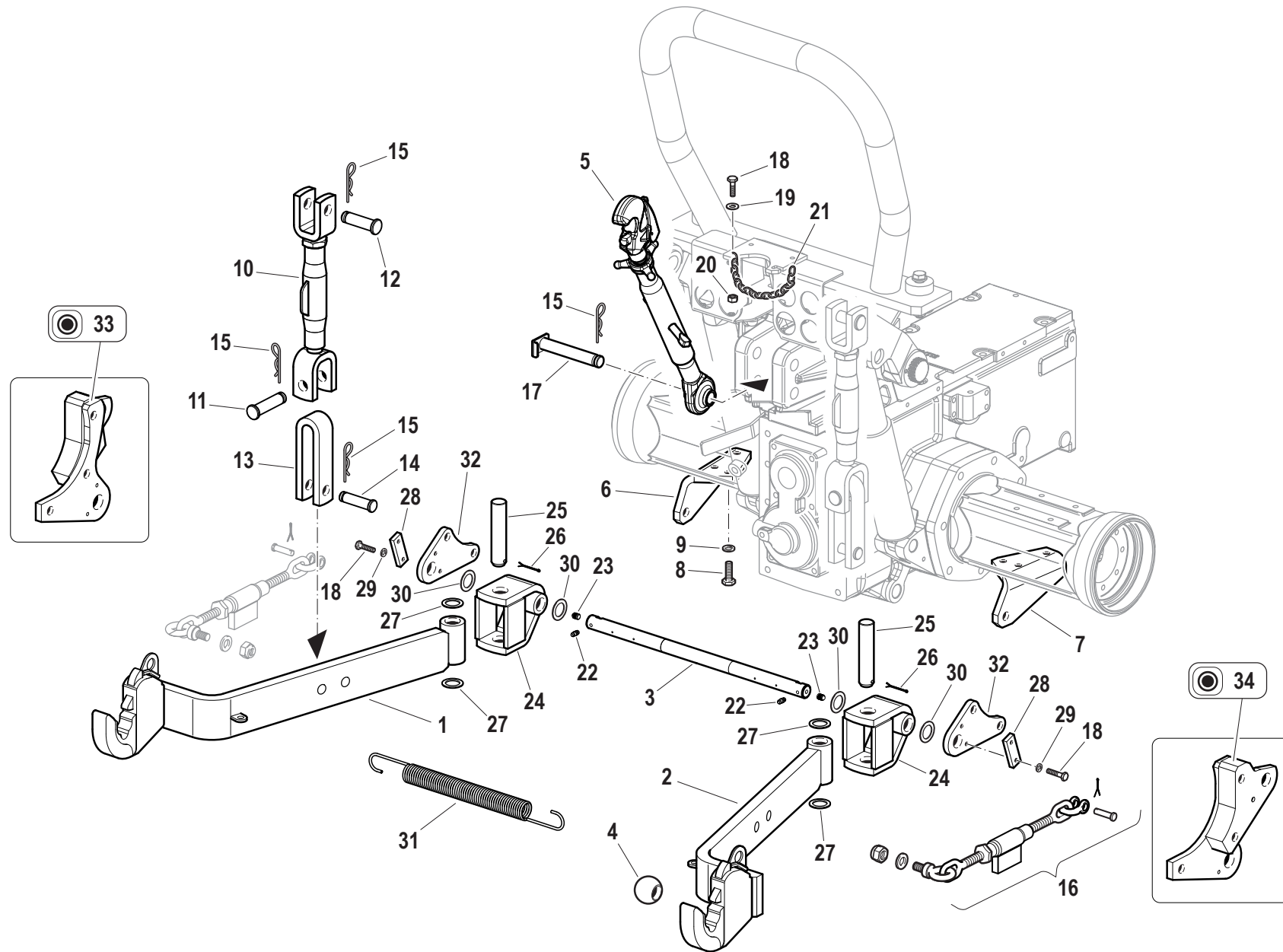
POSITION AND DRAFT CONTROL LIFT

CODE REV

M.02.01.L20004_0



Pos.	Code	Q.ty	Description	Notes
1	58079789	2	BOTTOM LINK	
2	565A1468	1	BARRA ATT.BRACCI SOLL.36-65	
3	31211060	1	HEXAGONAL NUT M8	
4	561A1469	2	DIST.D.38x22/30 ZNT/B	
5	58079817	1	3-POINT HITCH	
6	56071725	1	SUPPORT	
7	56071801	1	SUPPORT	
8	31112211	6	SCREW TE M10X30 UNI 5739	
9	F0843755000	6	WASHER 10	
10	58079790	2	ROD	
11	563A2689	2	PIN	
12	58072642	2	PIN	
13	56179791	2	BRACKET	
14	56372086	2	PIN	
15	F0851486000	4	SPLIT PIN	
16	58071998	2	ROD	
17	59078588	1	CONNECTING BOLT	
18	31112093	1	SCREW TE M6X20	
19	31411066	1	WASHER 6,6x18	
20	58076369	1	CHAIN	
21	F0843570000	1	WASHER 6	



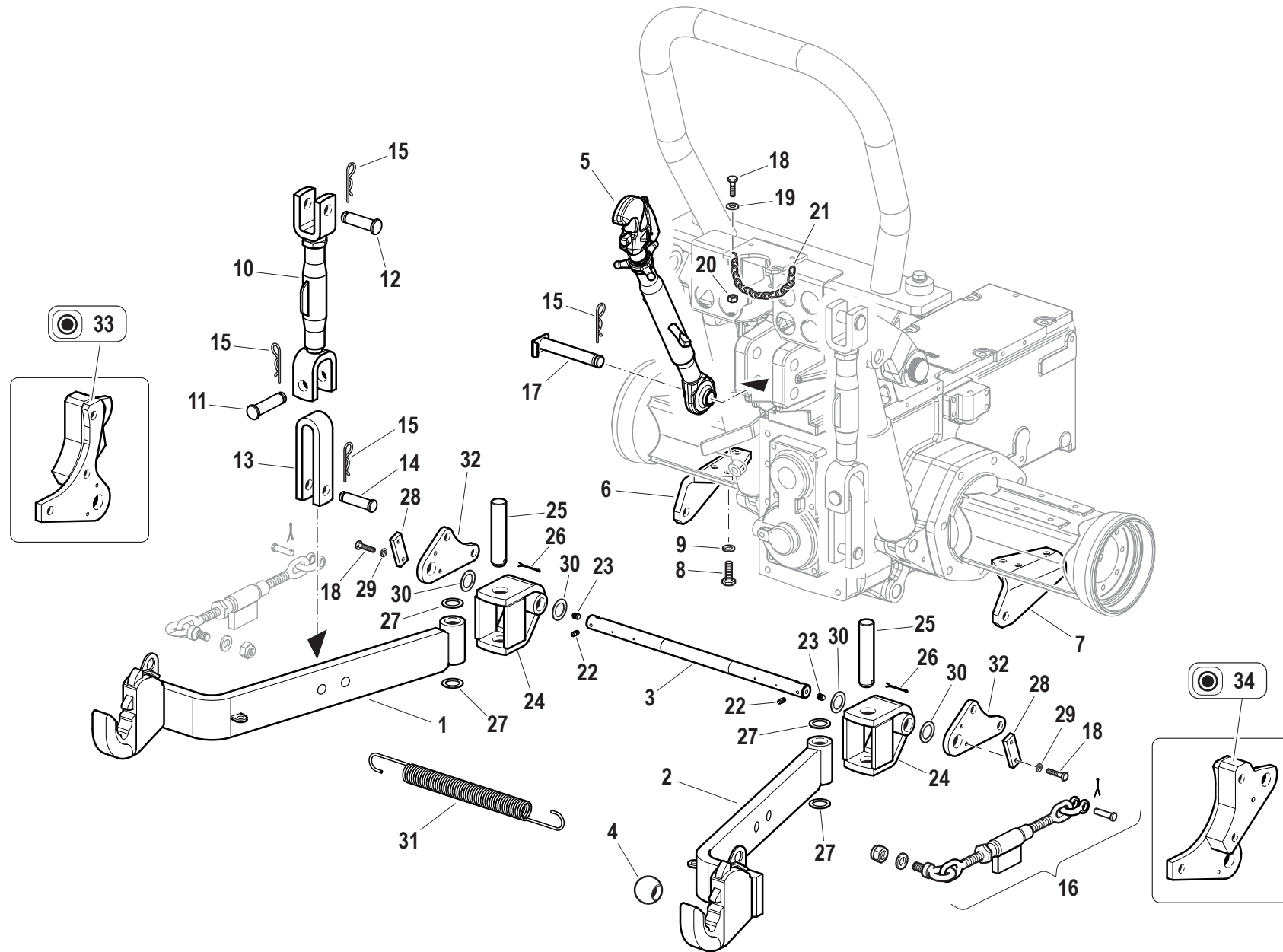
Pos.	Code	Q.ty	Description	Notes
1	58079786	1	LIFTING ARM	
2	58079787	1	LIFTING ARM	
3	56579895	1	CONNECTING BAR	
4	58175783	2	JOINT	
5	58079818	1	3-POINT HITCH	
6	56071725	1	SUPPORT	
7	56071801	1	SUPPORT	
8	31112211	6	SCREW TE M10X30 UNI 5739	
9	F0843755000	6	WASHER 10	
10	58079790	2	ROD	
11	563A2689	2	PIN	
12	58072642	2	PIN	
13	56179791	2	BRACKET	
14	56372086	2	PIN	
15	F0851486000	6	SPLIT PIN	
16	58071998	2	ROD	
17	59078588	1	CONNECTING BOLT	
18	31112093	2	SCREW TE M6X20	
19	F0843570000	2	WASHER 6	
20	31211060	1	HEXAGONAL NUT M8	
21	58076369	1	CHAIN	
22	F0826016000	2	LUBRICATOR M6 UNI 7663A	
23	58179399	2	PLUG	
24	59079792	2	FORK	
25	56379808	2	HINGE PIN	
26	34110051	2	SPLIT PIN	
27	56349629	4	RING	
28	56179896	2	CLAMPING PLATE	
29	F0843570000	2	WASHER 6	
30	F0844283050	4	SPACER D.32x22,5/3	
31	58072465	1	RETAINING SPRING	
32	56179825	2	CONNECTING PLATE	
33	590A0298	1	BRACKET	
34	590A0301	1	BRACKET	

SERIAL

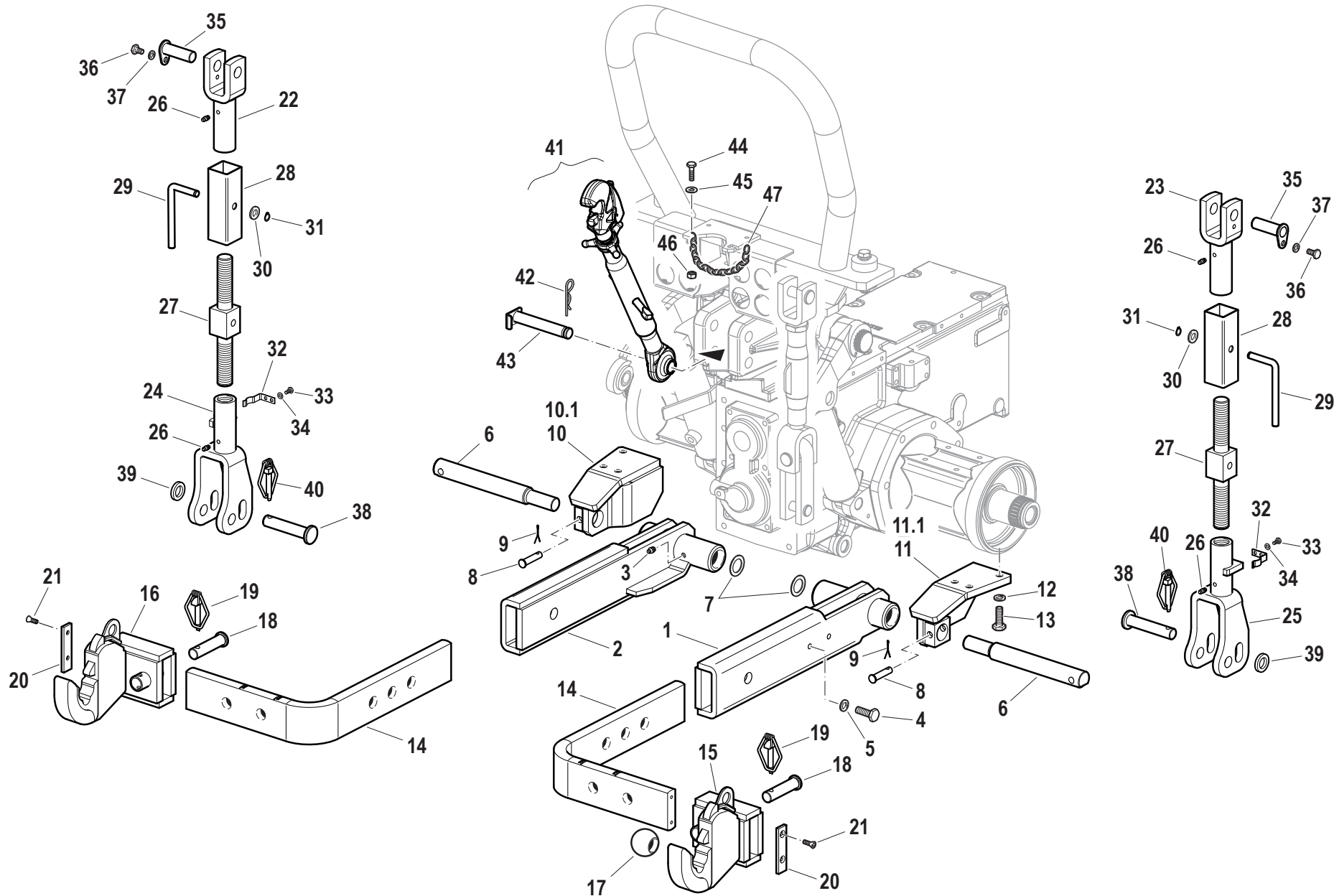
IMPLEMENTS ATTACHMENT WITH QUICK COUPLINGS

CODE REV

T.01.02.L20003_0



Pos.	Code	Q.ty	Description	Notes
35	31411170	1	WASHER 17x30	



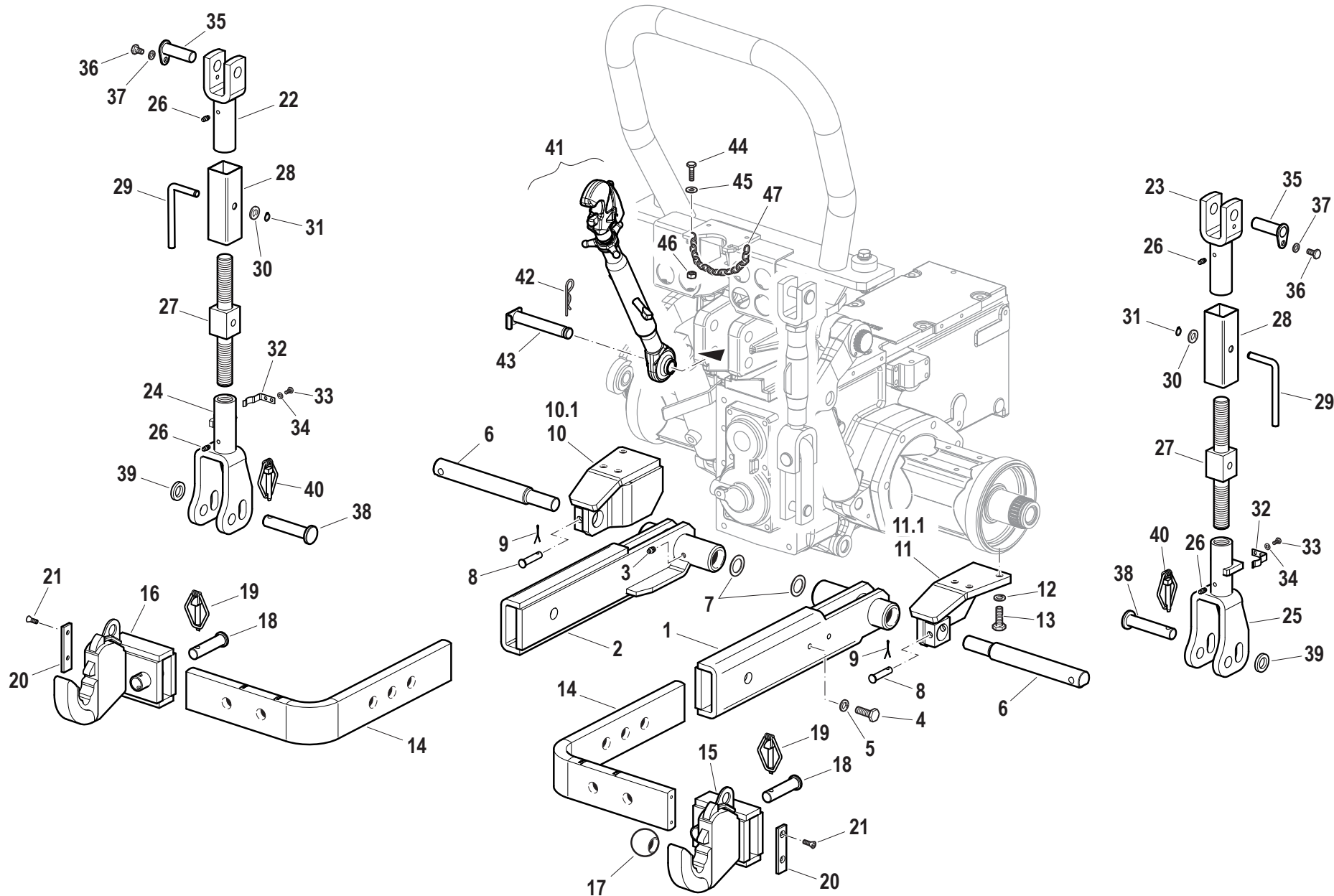
Pos.	Code	Q.ty	Description	Notes
1	590A0950	1	HOLDER	
2	590A0954	1	HOLDER	
3	F0826056000	2	LUBRICATOR M10 UNI 7663A	
4	31112210	2	SCREW TE M10X20 UNI 5739	
5	F0843755000	2	WASHER 10	
6	565A0971	2	HINGE PIN	
7	31411212	2	WASHER 23x39/3	
8	580A0972	2	PIN	
9	34110030	2	SPLIT PIN	
10	590A0980	1	SUPPORT	
11	590A0982	1	SUPPORT	
12	31112211	6	SCREW TE M10X30 UNI 5739	
13	F0843755000	6	WASHER 10	
14	563A0956	2	ARM	
15	590A0957	1	DEVICE COUPLING	
16	590A0960	1	DEVICE COUPLING	
17	58175783	2	JOINT	
18	56179473	2	LOCKING BOLT	
19	34240085	2	PIN	
20	560A1025	2	SMALL PLATE	
21	31132562	4	SCREW TSVEI M6X16 UNI 5933	
22	590A0964	1	FORK	
23	590A0963	1	FORK	
24	590A0968	1	FORK	
25	590A0969	1	FORK	
26	F0826016000	4	LUBRICATOR M6 UNI 7663A	
27	560A1027	2	ROD	
28	560A1028	2	TUBO QUADRO 40x40/2 55-65	
29	560A1029	2	LEVA REGISTRO TIRANTE 55-65	
30	31411105	2	WASHER 10,5x21	
31	F0801050000	2	SEEGER RING	
32	580A1026	2	SPRING	
33	31111089	4	SCREW TE M5X10 UNI 5739 8G	
34	F0843561000	4	WASHER 5	

SERIAL

IMPLEMENTS ATTACHMENT - ADJUSTABLE ARMS WITH QUICK HITCHES

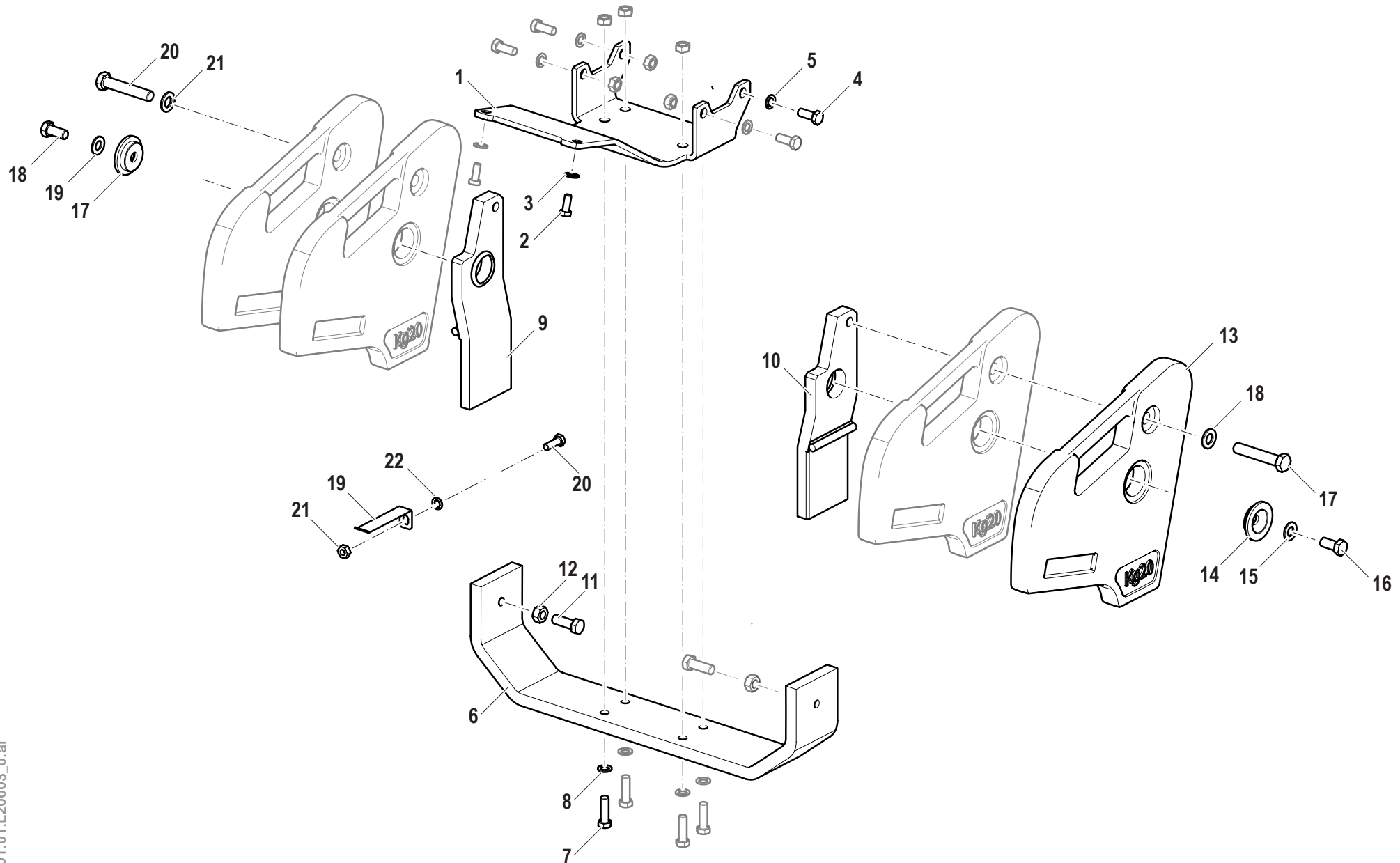
CODE REV

T.01.03.L20003_0

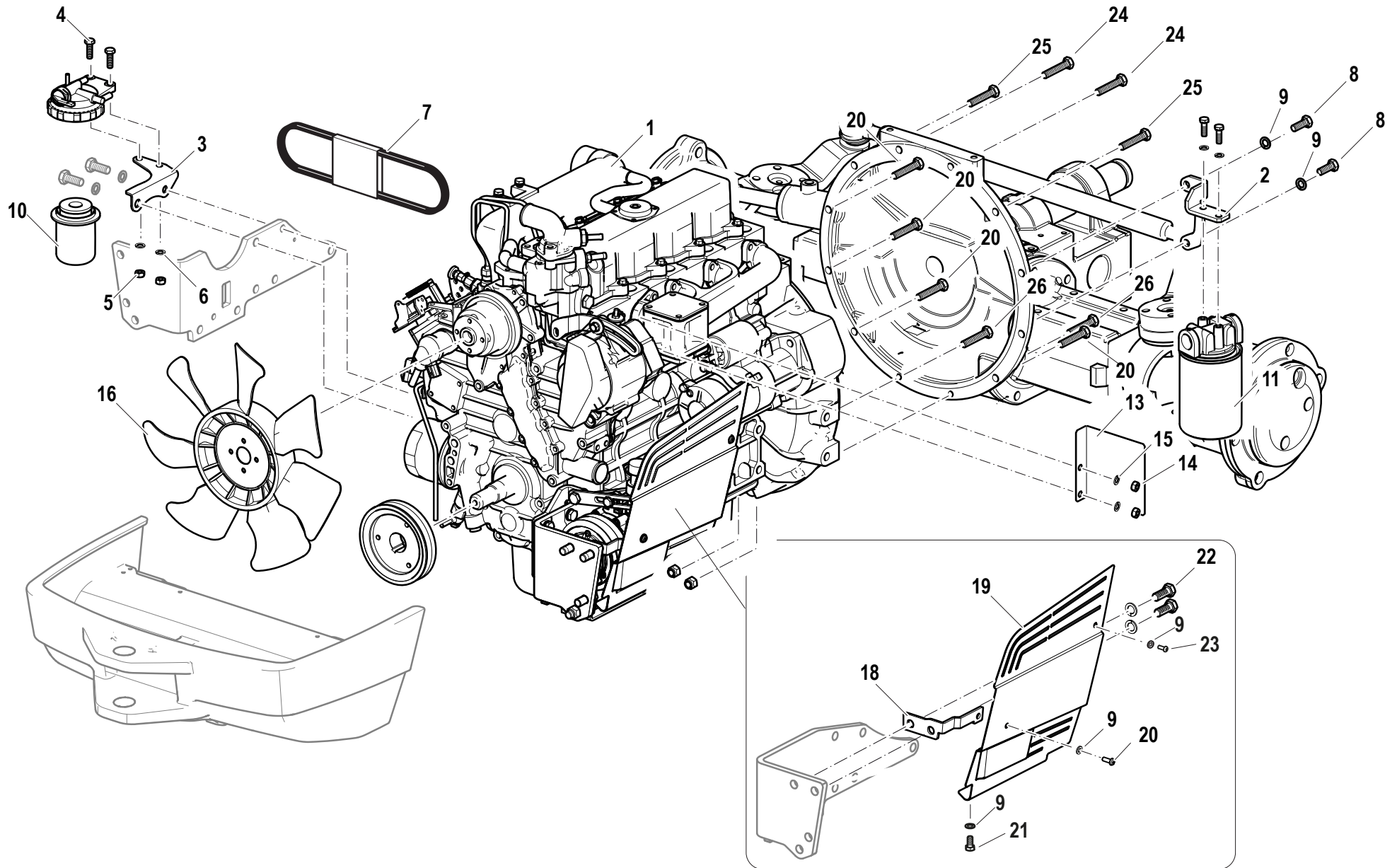


Pos.	Code	Q.ty	Description	Notes
35	590A1030	2	PIN	
36	31112149	2	SCREW TE M8X12 UNI 5739 8G	
37	F0843643060	2	WASHER 8	
38	563A0970	2	PIN	
39	F0844150000	2	WASHER D.30x18,5/5	
40	34240085	2	PIN	
41	58079818	1	3-POINT HITCH	
42	F0851486000	4	SPLIT PIN	
43	59078588	1	CONNECTING BOLT	
44	31112093	1	SCREW TE M6X20	
45	31411066	1	WASHER 6,6x18	
46	31211060	1	HEXAGONAL NUT M8	
47	58076369	1	CHAIN	
10.1	590A0973	1	SUPPORT	
11.1	590A0977	1	SUPPORT	

FRONT BALLASTS



Pos.	Code	Q.ty	Description	Notes
1	590A2830	1	SLITTA FISS.SUPP.ZAVORRE K60	
2	31112219	2	SCREW TE M10X25 UNI 5739	
3	F0843755000	2	WASHER 10	
4	31112272	4	SCREW TE M12X30 UNI 5739	
5	F0843843060	4	WASHER 12	
6	590A2832	1	SUPP.ZAVORRE ANT.K60	
7	F0863925000	4	SCREW M12X40 UNI 5737	
8	F0843843060	4	WASHER 12	
9	590A0795	1	BRACKET	
10	590A0796	1	BRACKET	
11	31112328	2	SCREW TE M14X35 UNI 5739	
12	31211140	2	NUT M14	
13	51179309	4	FRONT BALLAST	
14	56179308	2	WASHER	
15	31111330	2	SCREW TE M14X30 UNI 5739 8G	
16	F0843921030	2	WASHER 14	
17	31112445	2	SCREW TE M16X85 UNI 5737	
18	31411170	2	WASHER 17x30	
19	590A3120	1	PROL.SILENZ.SCAR.GREZZO K60	
20	31112211	1	SCREW TE M10X30 UNI 5739	
21	31211100	1	NUT M10	
22	F0843755000	1	WASHER 10	



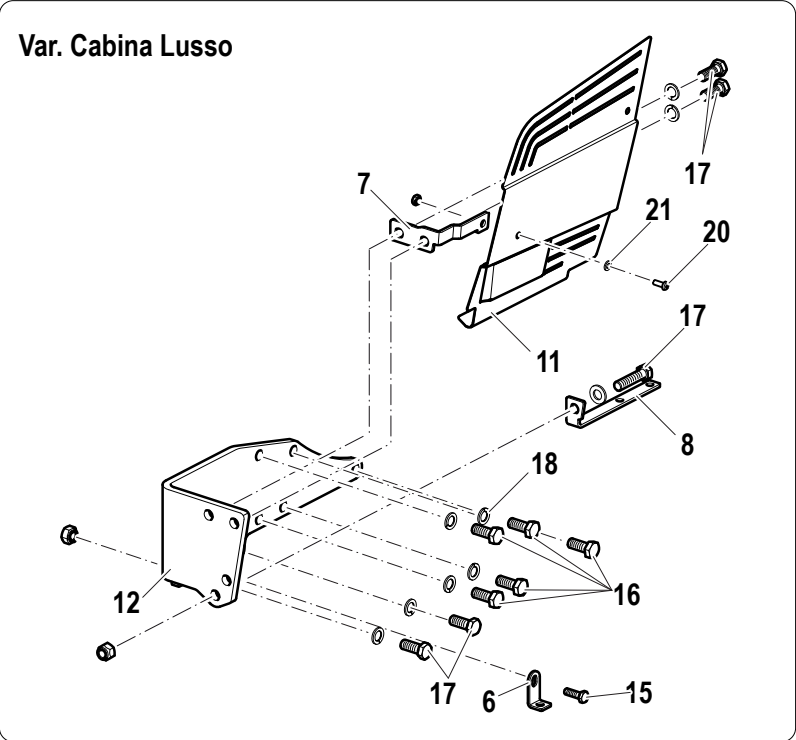
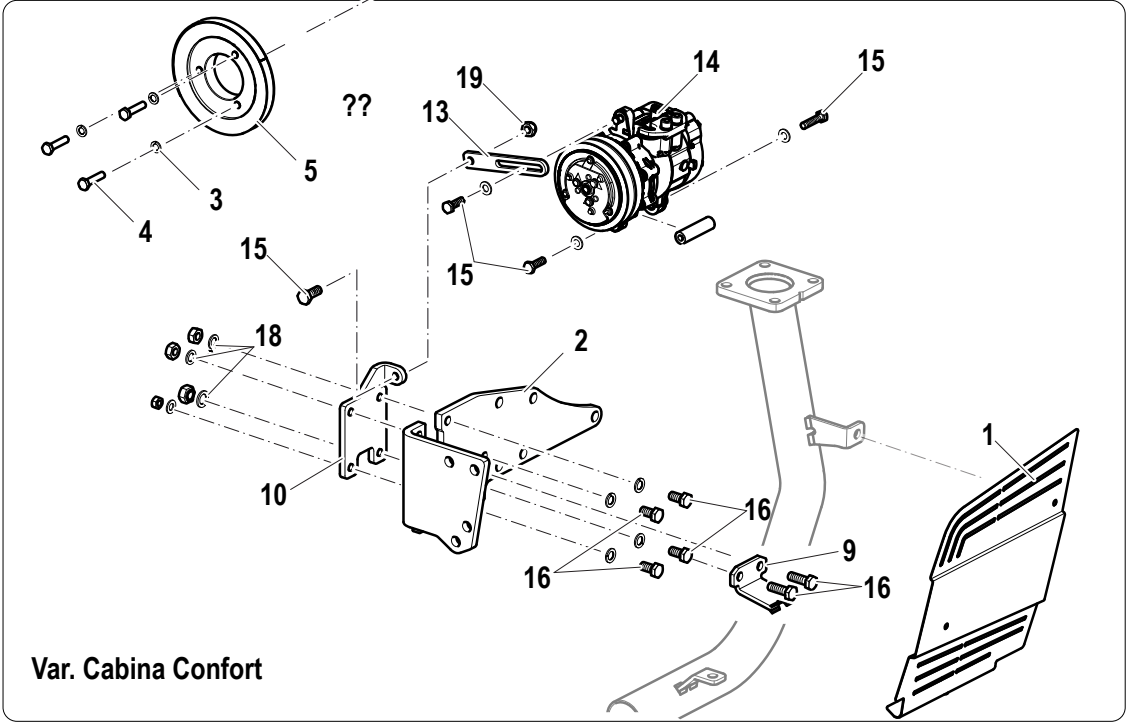
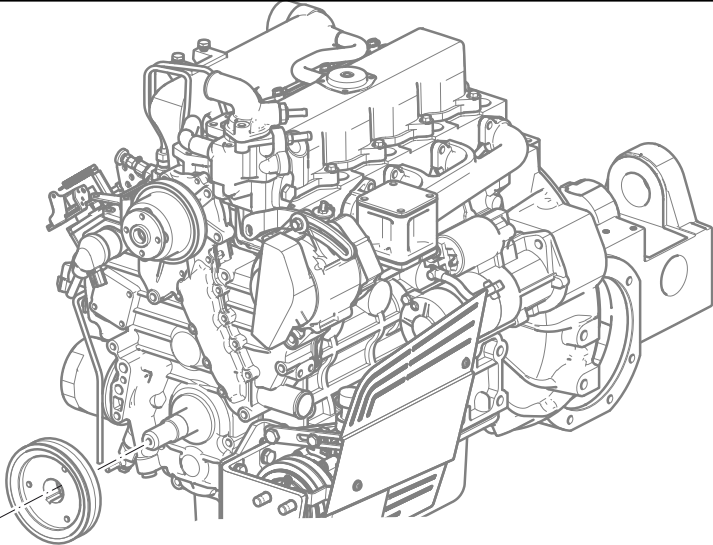
Pos.	Code	Q.ty	Description	Notes
1	41AH0000	1	MOT.KUBOTA V 2203 M DI E2B	
2	561A2954Z	1	STAF.FIX FILT.ASP.K60 V65 ZNT	
3	561A3125	1	STAFFA SUPP.FILTRO COMB.K60	
4	31112151	2	SCREW TE M8X25 UNI 5739 8G	
5	31211080	2	NUT M8	
6	F0843643060	2	WASHER 8	
7	59921000	1	CINGHIA ALT.K60 1K371-97011 mr	
8	31112902	2	SCREW TE M10X1,25X35 UNI5740	
9	F0843755000	3	WASHER 10	
10	581A3265	1	FUEL FILTER CARTRIDGE	
11	58175014	1	FILTER	
13	561A3119Z	1	LAMIERINO D.PROTEZIONE K60 ZNT	
14	31211080	2	NUT M8	
15	F0843643060	2	WASHER 8	
16	59921001	1	FAN	
18	590A2807	1	STAFFA SUPER.PROT.LAT.K60	
19	590A2810N	1	PROTECTION PLATE	
20	31112910	5	SCREW TE M10X1,25X25 UNI5740	
21	31112090	1	SCREW TE M6X16 UNI 5739 8G	
22	31112904	5	SCREW TE M12X1,25X30 UNI5740	
23	F0862479040	2	SCREW M6X20 7380	
24	31112914	2	SCREWM10x1,25x45UNI57408.8ZNT/B	
25	31112903	2	SCREW TE M10X1,25X30 UNI5740	
26	F0863493000	2	SCREW M10X55 UNI 5737	
27	F0814647000	2	NUT M10	

SERIAL

ENGINE
Engine: 60 CV

CODE REV

A.01.01.L20003_0



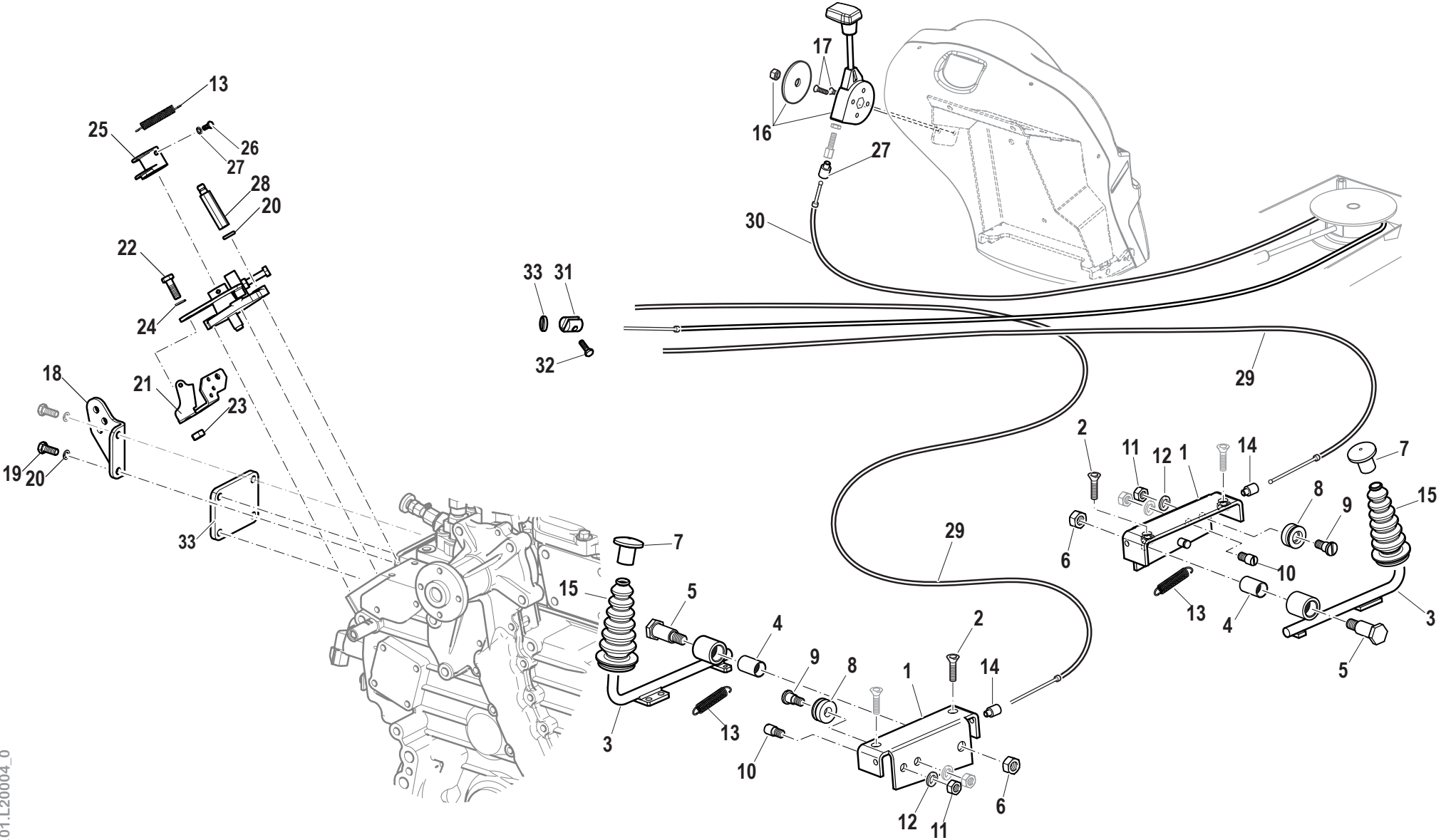
Pos.	Code	Q.ty	Description	Notes
1	590A3081	1	PROT.ANTICALORE LAT.CABINA K60	
2	561A2205	1	LONGH.SX SUPP.RADIAT.K60	
3	F0843643060	3	WASHER 8	
4	31112153	3	SCREW TE M8X35 UNI 5739 8G	
5	563A2975	1	PULEGGIA COMPRESSORE K60	
6	561A2815	1	STAF.FIX.COLL.SILENZ.K60 GRZ	
7	590A2807	1	STAFFA SUPER.PROT.LAT.K60	
8	561A2808	1	STAFFA INFER.PROT.LAT.K60 *	
9	590A2237	1	SUPP.COMPRESSORE CLIMA K60	
10	561A2225	1	PIASTRA LONGH.SX CLIMA K60	
11	590A2810	1	PROT.COMPR/SCAR.LAT.K60-L60	
12	590A2802	1	LONGH.SX SUPP.RADIAT.K60	
13	561A0940	1	BRACKET	
14	581A0174	1	GEAR COMPRESSOR	
15	31112151	4	SCREW TE M8X25 UNI 5739 8G	
16	31112219	4	SCREW TE M10X25 UNI 5739	
17	31112904	5	SCREW TE M12X1,25X30 UNI5740	
18	F0843843060	13	WASHER 12	
19	31211080	2	NUT M8	
20	31112910	1	SCREW TE M10X1,25X25 UNI5740	
21	F0843755000	1	WASHER 10	

SERIAL

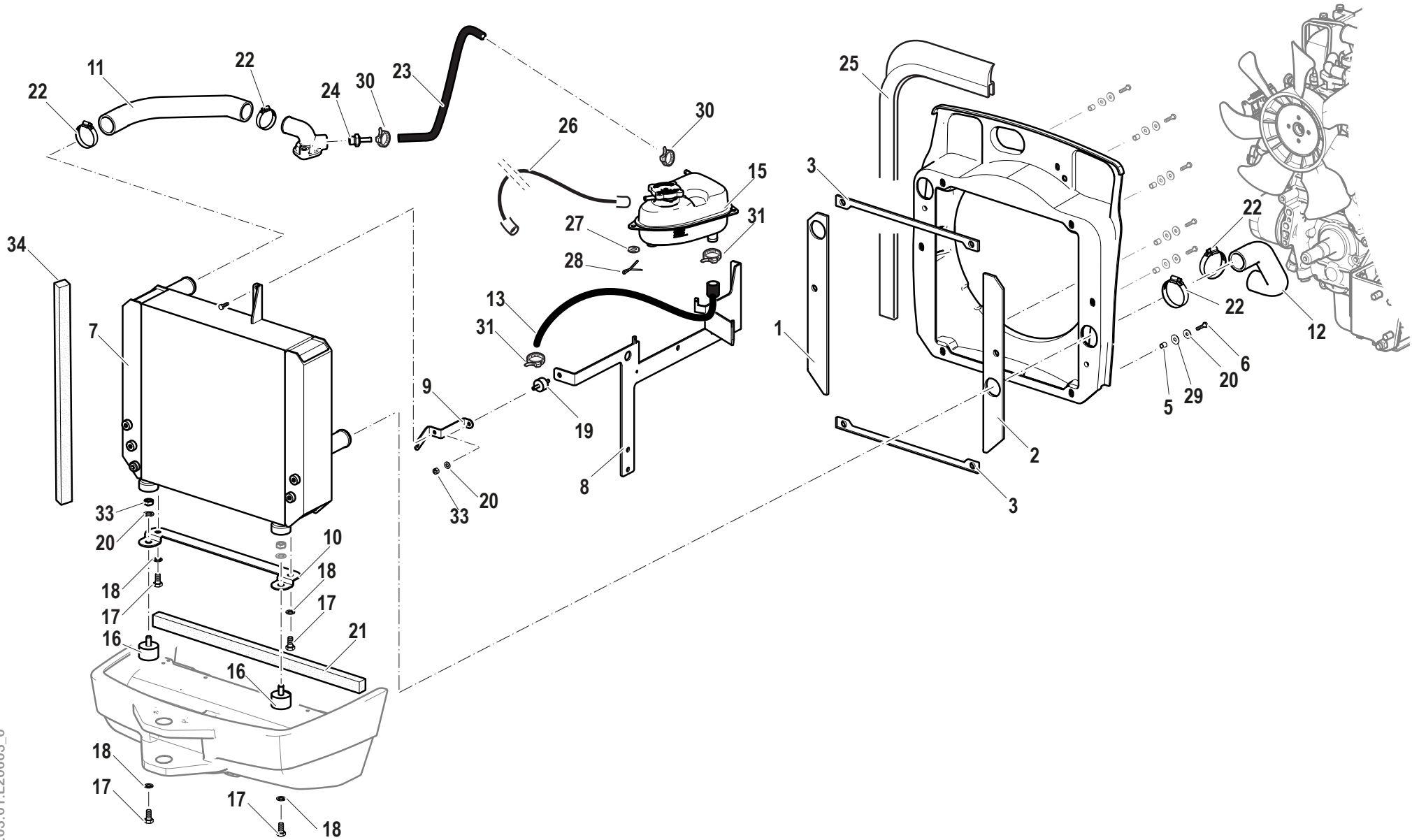
ENGINE
Engine: 60 CV

CODE REV

A.01.02.L20003_0

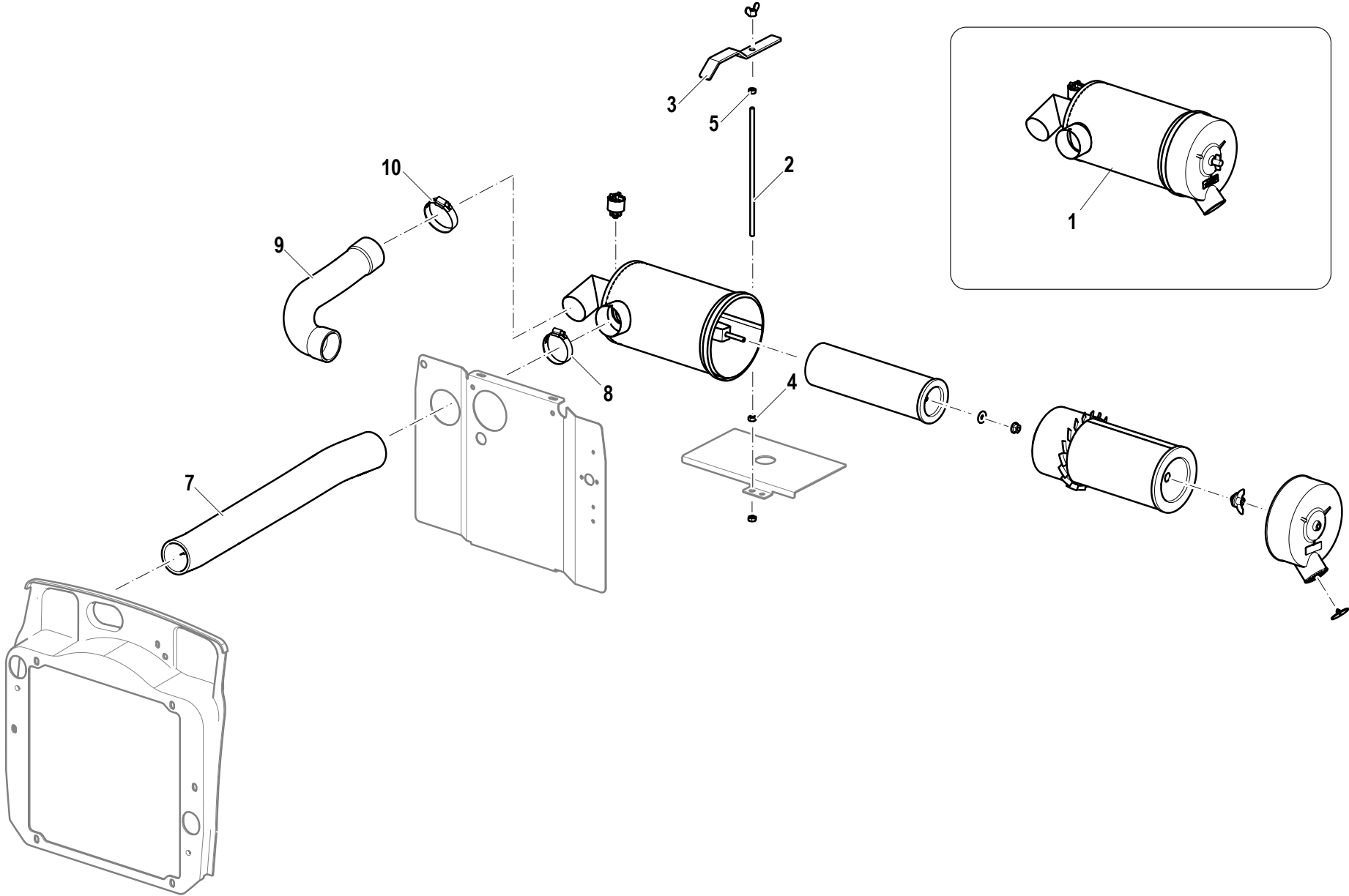


Pos.	Code	Q.ty	Description	Notes
1	59077107	1	BRACKET	
3	59077101	1	ACCEL. PEDAL	
4	30030016	1	BUSHING 14x25	
5	56377112	1	SCREW	
6	31241101	1	SELFLOCK NUT M10	
7	57377110	1	FOOT REST	
8	57377106	1	PULLEY	
9	56375436	1	HINGE PIN	
10	56177648	1	GUIDE PIN	
11	31231080	2	NUT M8	
12	F0843643060	2	WASHER 8	
13	58073227	1	SPRING	
15	55277307	1	BELLOWS	
17	31132562	2	SCREW TSVEI M6X16 UNI 5933	
18	561A3105	1	STAFFA FISS.REG.CAVI ACCEL.K60	
19	31112087	2	SCREW TE M6X22 UNI 5739 8G	
20	F0843570000	2	WASHER 6	
21	561A3104	1	STAFFA FISS.MOZZO-CAVI ACC.K60	
22	31111091	1	SCREW E M6X14 UNI 5739 8G	
23	31211060	1	HEXAGONAL NUT M8	
24	F0843570000	1	WASHER 6	
25	530A3103	1	MOZZO CARRUCOLA ACCEL.K60	
26	31111089	1	SCREW TE M5X10 UNI 5739 8G	
27	F0843561000	1	WASHER 5	
28	561A3118	1	COLONNETTA AGG.MOLLA ACCEL.K60	
29	580A3099	2	COMPLETE CABLE FOR ACCELERATOR PEDAL K60	
30	580A3102	1	COMPLETE CABLE FOR ACCELERATOR BY HAND	
31	561A3106	3	MORSETTO CAVO ACCEL.K60	
32	31152040	3	SCREW TCEI M3x8 UNI 5931 ZNT/B	

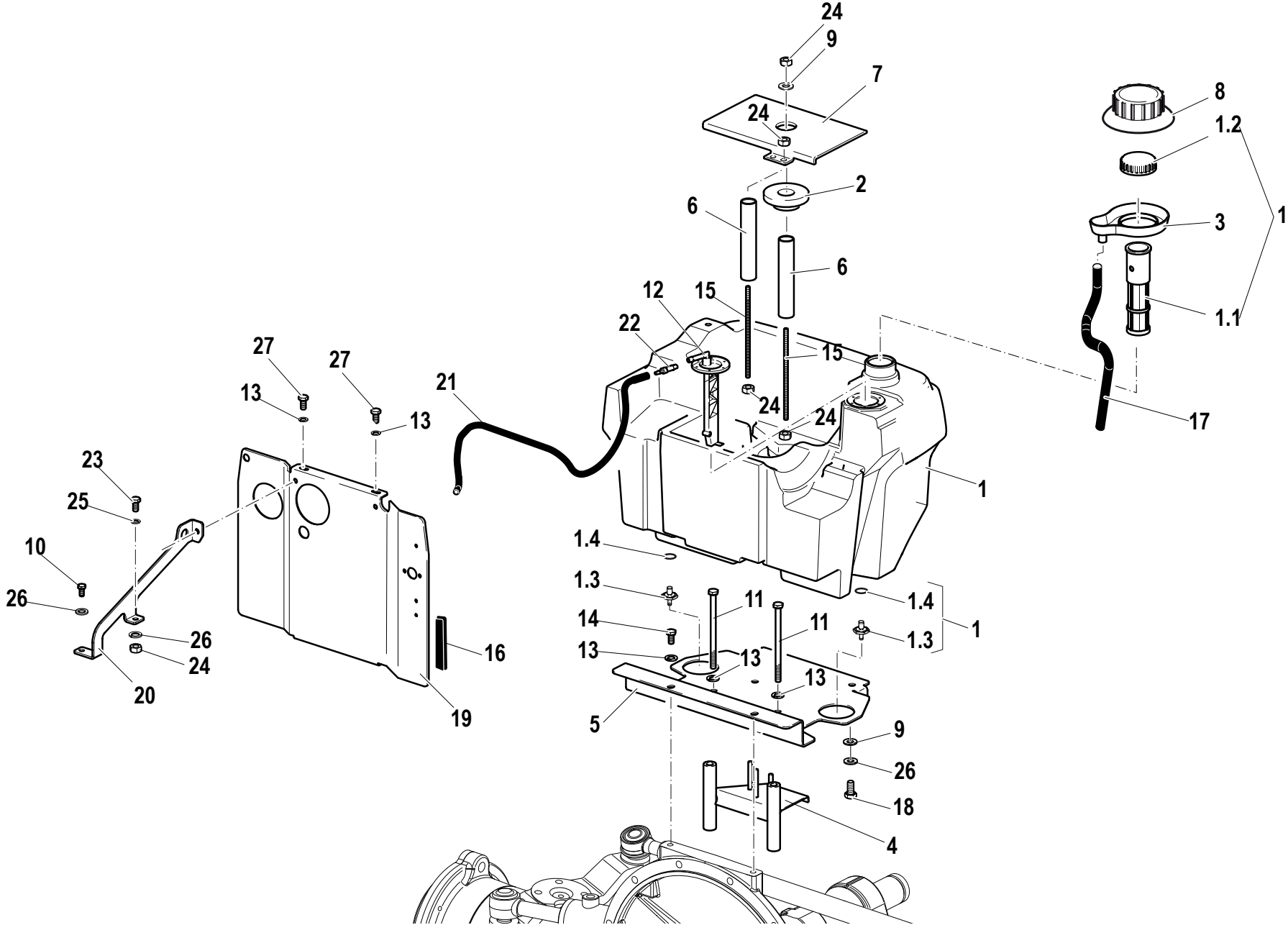


Pos.	Code	Q.ty	Description	Notes
1	581A2791	1	GUARN.DX RADIAT-CONV.K60	
2	581A2789	1	GUARN.SX RADIAT-CONV.K60	
3	581A2790	2	GUARN.SUP-INF.RADIAT-CONV.K60	
4	573A2200	1	CONVOGLIATORE COMPLETO K60	
5	561A2972	6	DIST.D.10x7/11 ZNT/B	
6	31112089	6	SCREW TE M6X25 UNI 5739 8G	
7	581A2199	1	RADIATORE 5 RANGHI K60-L60	
8	561A3085	1	STAFFA SUPP.VASCHETTA K60	
9	561A2970	1	STAFFA FIS.RADI-CONVOG.K60 grz	
10	590A2944	1	STAFFA INF.FISS.RADIATORE K60	
11	551A2222	1	MANICOTTO ENTR.ACQ.RADIAT.K60	
12	551A2797	1	MANICOTTO USCITA RADIATORE K60	
13	580A1040	1	PIPE	
15	58093053	1	CUP	
16	58179783	2	SILENT-BLOCK	
17	31112210	4	SCREW TE M10X20 UNI 5739	
18	F0843755000	4	WASHER 10	
19	30010250	1	SILENT BLOCK	
19	573A0622	1	SPUGNA TENUTA RADIATORE 55-65	
20	F0843570000	6	WASHER 6	

AIR FILTER



Pos.	Code	Q.ty	Description	Notes
1	581A2235	1	FILTRO ARIA FCK6-18186-C9	
2	560A2995	1	TIRANTE M8x275 ZNT/B	
3	561A0081	1	FIXING BRACKET	
4	31211080	1	NUT M8	
5	31200501	1	NUT M8	
7	58076753	1	SUCTION PIPE	
8	30021180	1	CLAMP 60-80 SX9CW1060080	
9	551A2224	1	MAN.FILTRO ARIA-COLLET.ASP.K60	
10	30021170	2	CLAMP 50-70 SX9CW1050070	



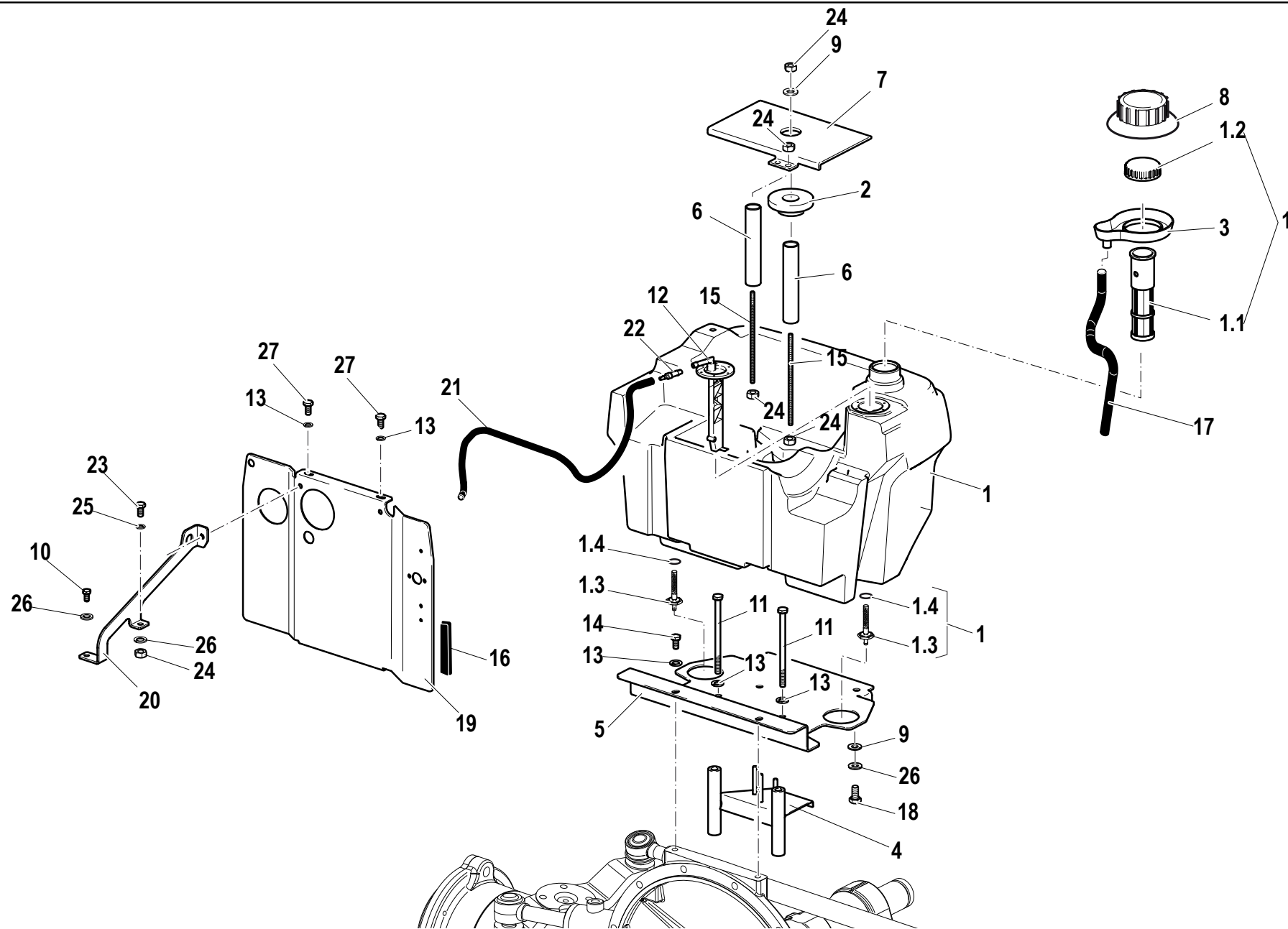
Pos.	Code	Q.ty	Description	Notes
10	31111151	1	SCREW TE M8X16 UNI 5739 8G	
11	31111700	2	SCREW TE M10X160 UNI 5737 8G	
23	31112146	2	SCREW TE M8X22 UNI 5739 8G	
18	31112147	4	SCREW TE M8X18 UNI 5739 8G	
14	31112210	2	SCREW TE M10X20 UNI 5739	
27	31112899	2	SCREW TE M10X1,25X18 UNI5740	
24	31211080	3	NUT M8	
9	31411084	4	WASHER 8,4x17	
1.4	38112024	1	O-RING	
1	552A2212	1	SERBATOIO CARB.K60-592A3994 *	
15	56077608	2	ROD	
22	56172950	1	PIPE FITTING	
6	561A2993	2	DIST.D.30x25/164 ZNT/B	
20	561A3086	1	STAFFA FISS.PARATIA K60	
1.3	571A2278	2	RUBBER HOLDER	
8	57371900	1	LINING	
2	580A2216	1	TAMPONE FISS.SERBATOIO K60	
3	580A2234	1	RACCOGLITORE GASOLIO K60	
17	580A3112	1	TUBO CARBOPRESS(4x9)L=740	
21	580A3112	1	TUBO CARBOPRESS(4x9)L=740	
12	581A3066	1	INDICATORE LIV.COMB.K60-A3995*	
4	590A2913	1	STAFFA FISS.SUPP.SERBATOIO K60	
5	590A2914	1	PIASTRA FISS.SERBATOIO K60	
7	590A2994	1	PIASTRA APPOGGIO BATTERIA K60	
19	590A3082	1	PARAT.SERBATOIO MOTORE K60	
16	F0256808000	1	FLAT BAND	
26	F0843643060	1	WASHER 8	
25	F0843696000	2	WASHER	
13	F0843755000	4	WASHER 10	
1.1	F0849500001	1	TANK COVER	
1.2	F0849500002	1	FILTER	

SERIAL

FUEL TANK

CODE REV

A.05.01.L20003_0



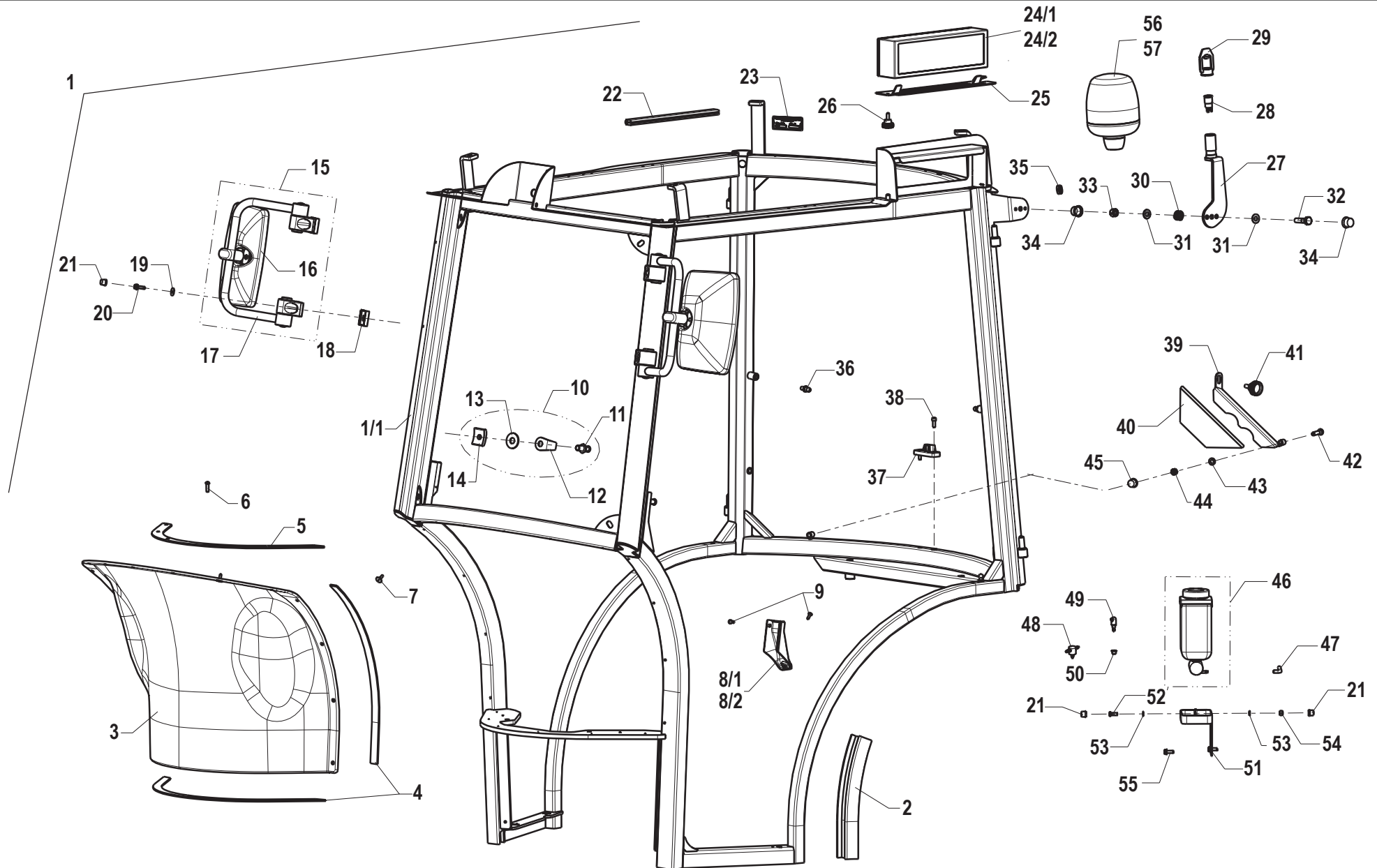
Pos.	Code	Q.ty	Description	Notes
10	31111151	1	SCREW TE M8X16 UNI 5739 8G	
11	31111700	2	SCREW TE M10X160 UNI 5737 8G	
23	31112146	2	SCREW TE M8X22 UNI 5739 8G	
18	31112147	4	SCREW TE M8X18 UNI 5739 8G	
14	31112210	2	SCREW TE M10X20 UNI 5739	
27	31112899	2	SCREW TE M10X1,25X18 UNI5740	
24	31211080	3	NUT M8	
9	31411084	4	WASHER 8,4x17	
1.4	38112024	1	O-RING	
15	56077608	2	ROD	
22	56172950	1	PIPE FITTING	
6	561A2993	2	DIST.D.30x25/164 ZNT/B	
20	561A3086	1	STAFFA FISS.PARATIA K60	
8	57371900	1	LINING	
2	580A2216	1	TAMPONE FISS.SERBATOIO K60	
3	580A2234	1	RACCOGLITORE GASOLIO K60	
17	580A3112	1	TUBO CARBOPRESS(4x9)L=740	
21	580A3112	1	TUBO CARBOPRESS(4x9)L=740	
12	581A3995	1	INDICATORE LIVELLO CARB.K60	
4	590A2913	1	STAFFA FISS.SUPP.SERBATOIO K60	
5	590A2914	1	PIASTRA FISS.SERBATOIO K60	
7	590A2994	1	PIASTRA APPOGGIO BATTERIA K60	
19	590A3082	1	PARAT.SERBATOIO MOTORE K60	
1.3	590A4404	2	RACC.PORT-FILTRO SERB.02910006	
1	592A3994	1	SERBATOIO CARBURANTE K60	
16	F0256808000	1	FLAT BAND	
26	F0843643060	1	WASHER 8	
25	F0843696000	2	WASHER	
13	F0843755000	4	WASHER 10	
1.1	F0849500001	1	TANK COVER	
1.2	F0849500002	1	FILTER	

SERIAL

FUEL TANK

CODE REV

A.05.01.L20003_1



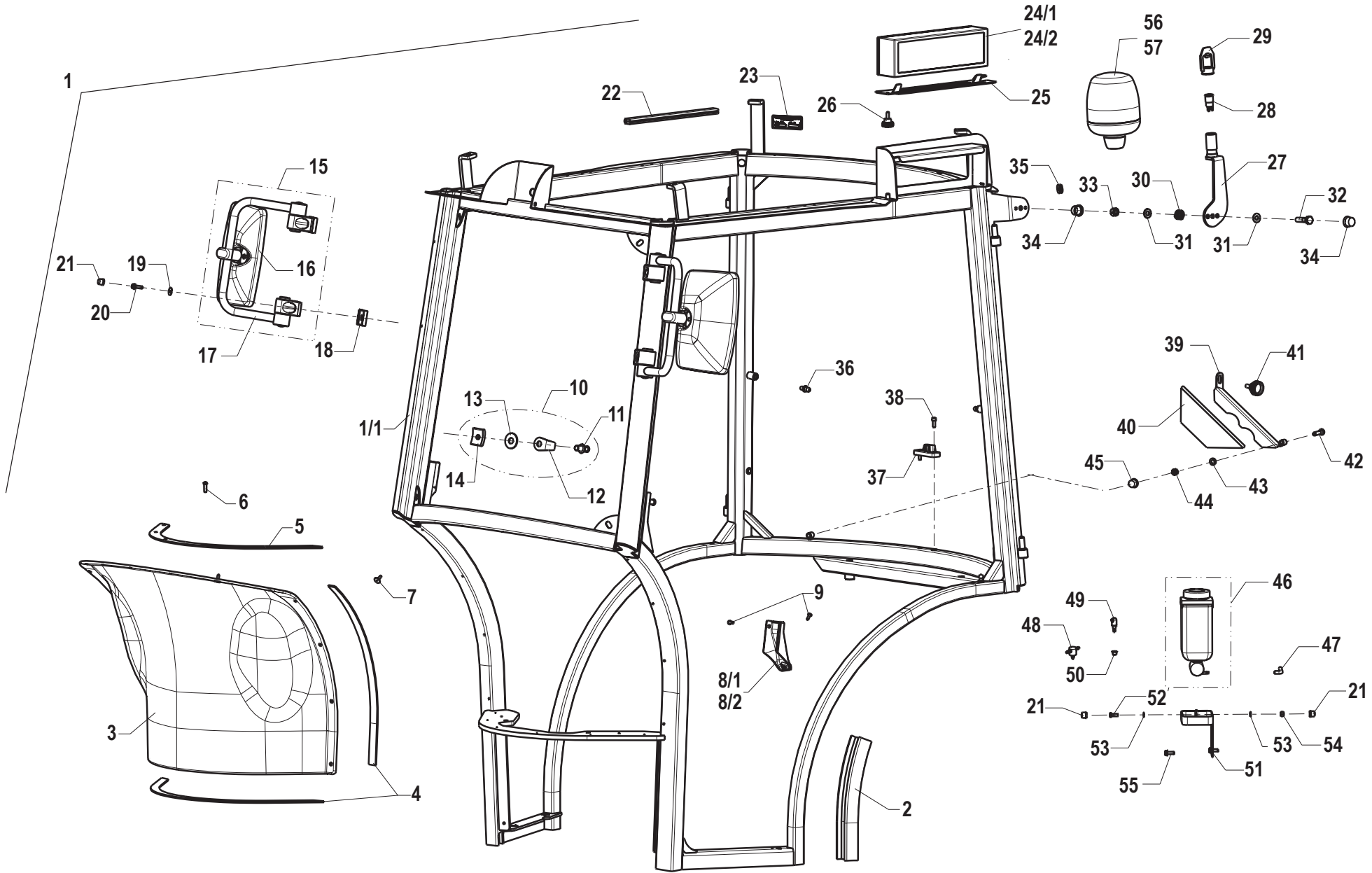
Pos.	Code	Q.ty	Description	Notes
54	31241060	1	HEXAGON SELFLOCK NUT M6	
44	31241080	1	HEXAGON SELFLOCK NUT M8	
33	31241100	1	SELFLOCK HEXAGON NUT M10	
31	31411105	2	WASHER 10,5x21	
56	58177756	1	ROTARY WARN. LAMP	
16	59900006	2	SUMP	
41	59900013	1	KNOB	
12	59900026	2	CLEVIS	
13	59900027	2	SHIM M12X36	
14	59900028	2	SMALL PLATE	
55	59900031	2	SCREW	
11	59900034	2	PIN	
20	59900035	4	SCREW 6X20	
21	59900037	4	NUT COVER	
29	59900046	1	PLASTIC PLUG	
28	59900047	1	SOCKET	
35	59900075	1	GASKET	
36	59900106	4	JOINT	
34	59900108	2	NUT COVER	
45	59900109	1	NUT COVER	
17	59900381	2	ROD	
18	59900383	4	SHIM	
48	59900388	1	PIPE FITTING	
46	59900389	1	TANK	
43	59900393	1	ELASTIC WASHER M8 D.17MM	
52	59900396	1	HEXAGON SCREW M6X15	
7	59900397	14	RIVET	
19	59900398	4	WASHER M6X18	
49	59900466	2	COOLING NOZZLE	
50	59900477	2	RUBBER PLUG	
10	59900564	2	KIT	
37	59900565	1	STOP	
38	59900566	2	SCREW	
23	59900567	1	PLATE	

SERIAL

FRAME BF8B

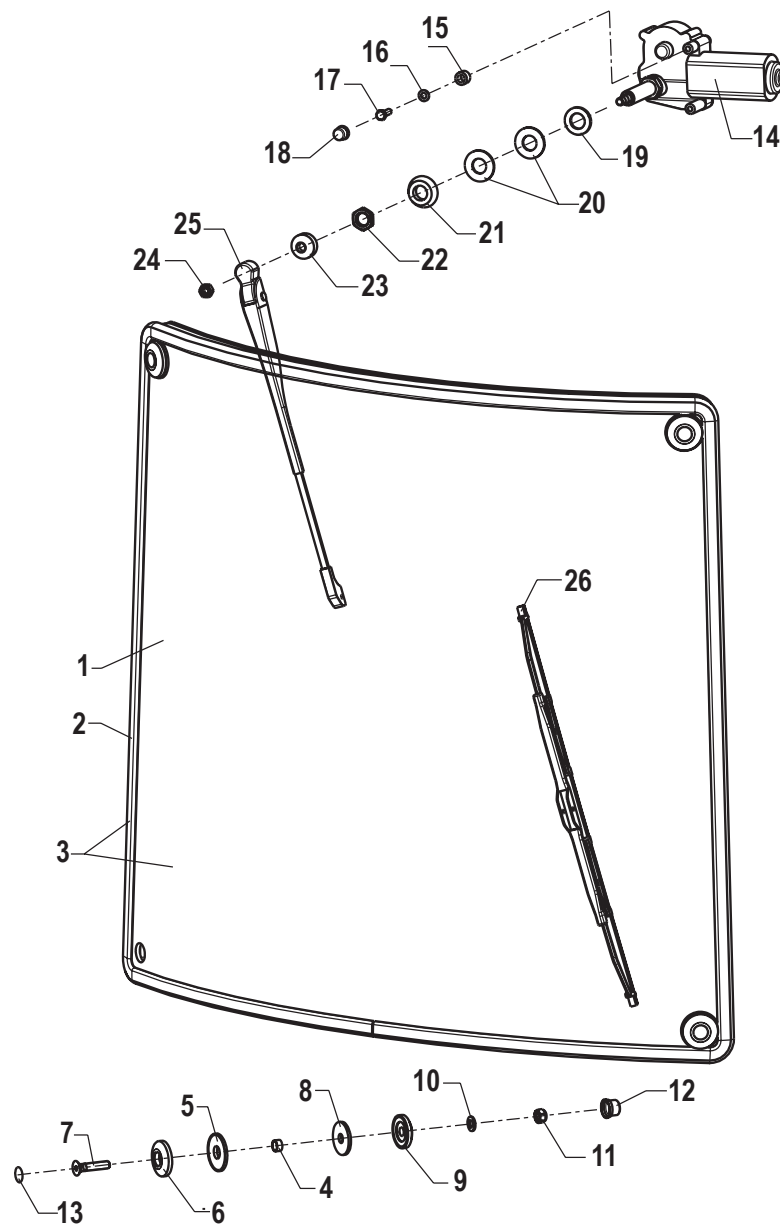
CODE REV

Y.01.01.L20003_0

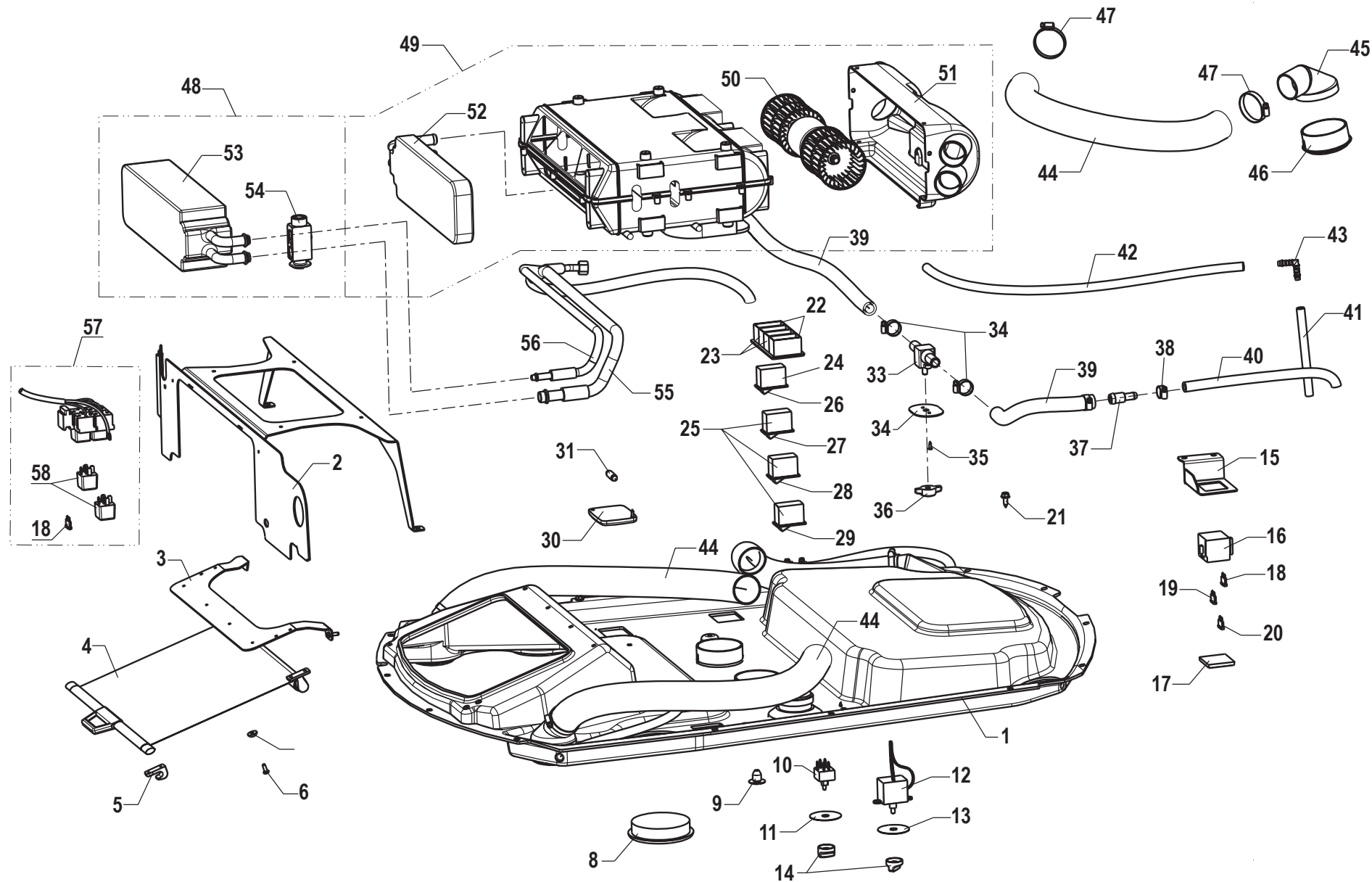


Pos.	Code	Q.ty	Description	Notes
51	59900590	1	SUPPORT	
24/1	59900676	1	FILTER	
24/2	59900677	1	CARBON FILTER	
26	59900725	1	KNOB	
15	59900773	2	MIRROR	
30	59900782	1	SPRING	
47	59900787	1	PIPE	
9	59905006	4	RIBBED SCREW	
2	59905129	1	MUDGUARD GASKET	
4	59905130	1	FOAM RUBBER	
5	59905131	1	PLATE	
6	59905132	6	VITE TBEI M6X15 (613100616)	
8/1	59905133	1	COVER	
8/2	59905134	1	COVER	
22	59905135	1	GASKET	
25	59905136	1	GRILLE	
27	59905137	1	SUPPORT	
32	59905138	1	VITE TE M10X40 (606100040)	
39	59905139	1	CABLE GLAND	
40	59905140	1	FOAM RUBBER	
42	59905141	1	VITE TSPEI M8X45 (604080045)	
53	59905142	2	WASHER M6	
1	59905324	1	TELAIO CABINA BF8-B 701B18850	
1/1	59905325	1	TEL.CPL SEMIC.BF8-B 701B18849	
3	59905326	1	CHIUSERA FRONT.BF8-B 627B18860	

FRONT GLASS



Pos.	Code	Q.ty	Description	Notes
17	31112093	2	SCREW TE M6X20	
24	31211060	3	HEXAGONAL NUT M8	
11	31241080	4	HEXAGON SELFLOCK NUT M8	
16	31411064	1	WASHER 6,4x12,5	
10	31411090	4	WASHER 9x24	
18	59900037	1	NUT COVER	
8	59900074	4	WASHER	
6	59900102	4	PLASTIC WASHER 10x36/8	
9	59900102	4	PLASTIC WASHER 10x36/8	
4	59900103	4	RING	
23	59900107	1	PIN COVER	
12	59900109	4	NUT COVER	
19	59900407	1	WASHER M16 D.30MM	
20	59900408	2	RUBBER WIPER MOTOR WASHER	
21	59900409	1	CONICAL WASHER FOR WIPER MOTOR	
13	59900604	1	SCREW COVER	
14	59900606	1	WIPER MOTOR	
22	59900608	1	NUT SHAFT WIPER MOTOR	
7	59900625	4	SCREW	
15	59900802	1	SPACER	
25	59900814	1	WIPER ARM	
5	59905043	4	RUBBER WASHER	
1	59905143	1	FRONT GLASS	
2	59905144	1	GLASS GASKET	
3	59905145	1	FRONT GLASS	
26	59905146	1	WIPER BLADE	



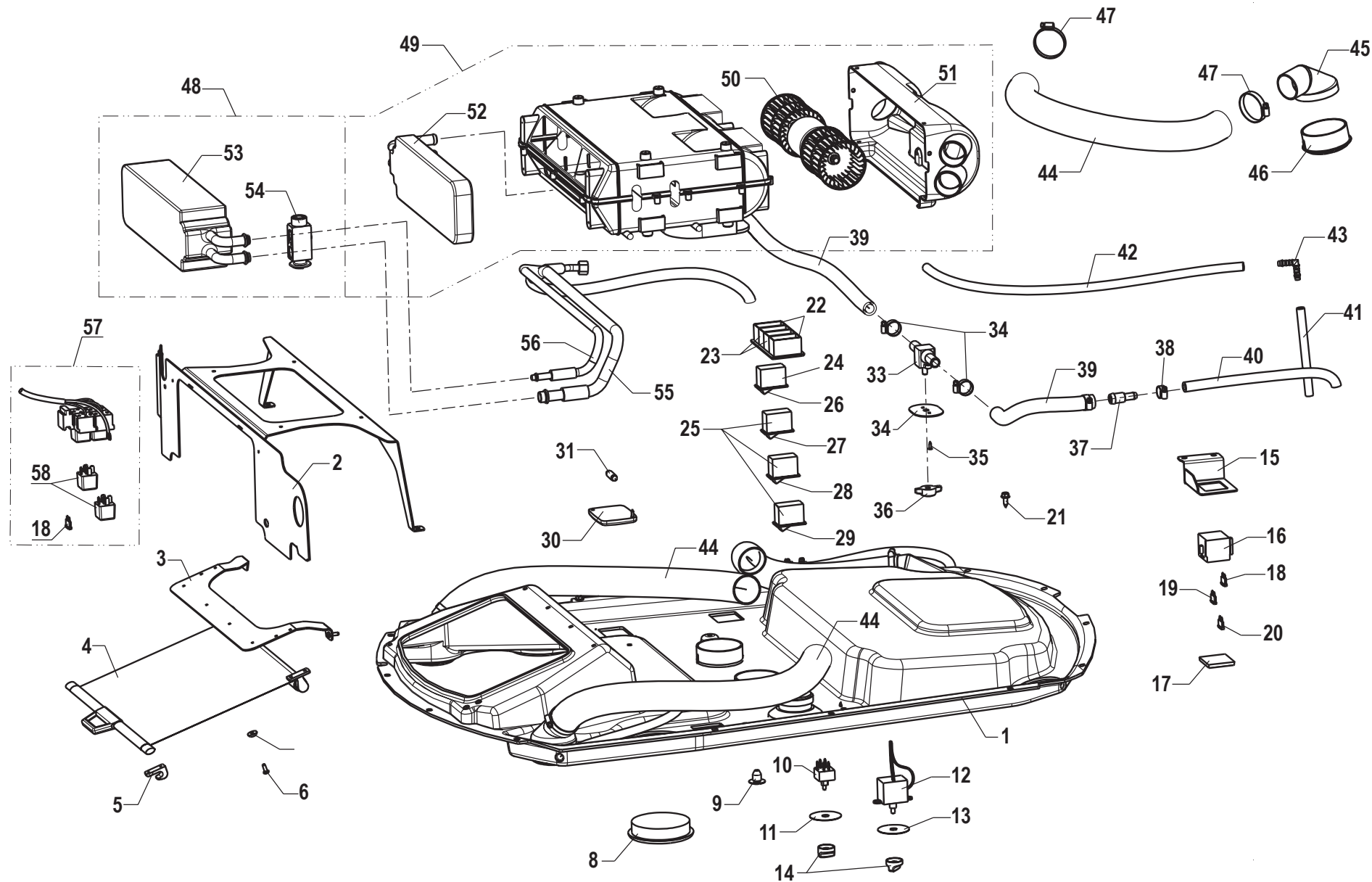
Pos.	Code	Q.ty	Description	Notes
22	59900051	2	SWITCH SUPPORT	
23	59900052	2	SWITCH SUPPORT	
25	59900053	3	SWITCH	
24	59900054	1	SWITCH	
17	59900057	1	COVER	
16	59900058	1	FUSE-HOLDER	
33	59900068	1	COCK OR TAP	
36	59900070	1	KNOB	
38	59900071	2	PIPE CONNECTION	
21	59900395	14	RIBBED SCREW 6,5X20	
34	59900444	1	FRONT GRILLE	
14	59900447	2	KNOB	
10	59900449	1	SWITCH	
47	59900455	8	HOSE CLIP	
30	59900459	1	PLAFONIERA PER VENTILAZIONE	
8	59900463	2	TONGUE	
7	59900561	4	WASHER	
9	59900577	1	PLUG	
18	59900665	2	FUSE/LOCK	
19	59900666	3	FUSE/LOCK	
20	59900667	2	FUSE/LOCK	
31	59900668	1	LAMP	
26	59900669	1	GLASS	
27	59900670	1	GLASS	
28	59900671	1	GLASS	
29	59900672	1	GLASS	
45	59900686	4	PIPE FITTING	
43	59900688	6	ELBOW	
5	59900697	2	CLEVIS	
35	59900699	2	SCREW	
6	59905006	10	RIBBED SCREW	
54	59905068	1	VALVE	
37	59905074	2	REDUCTION	
32	59905075	6	CLAMP	

SERIAL

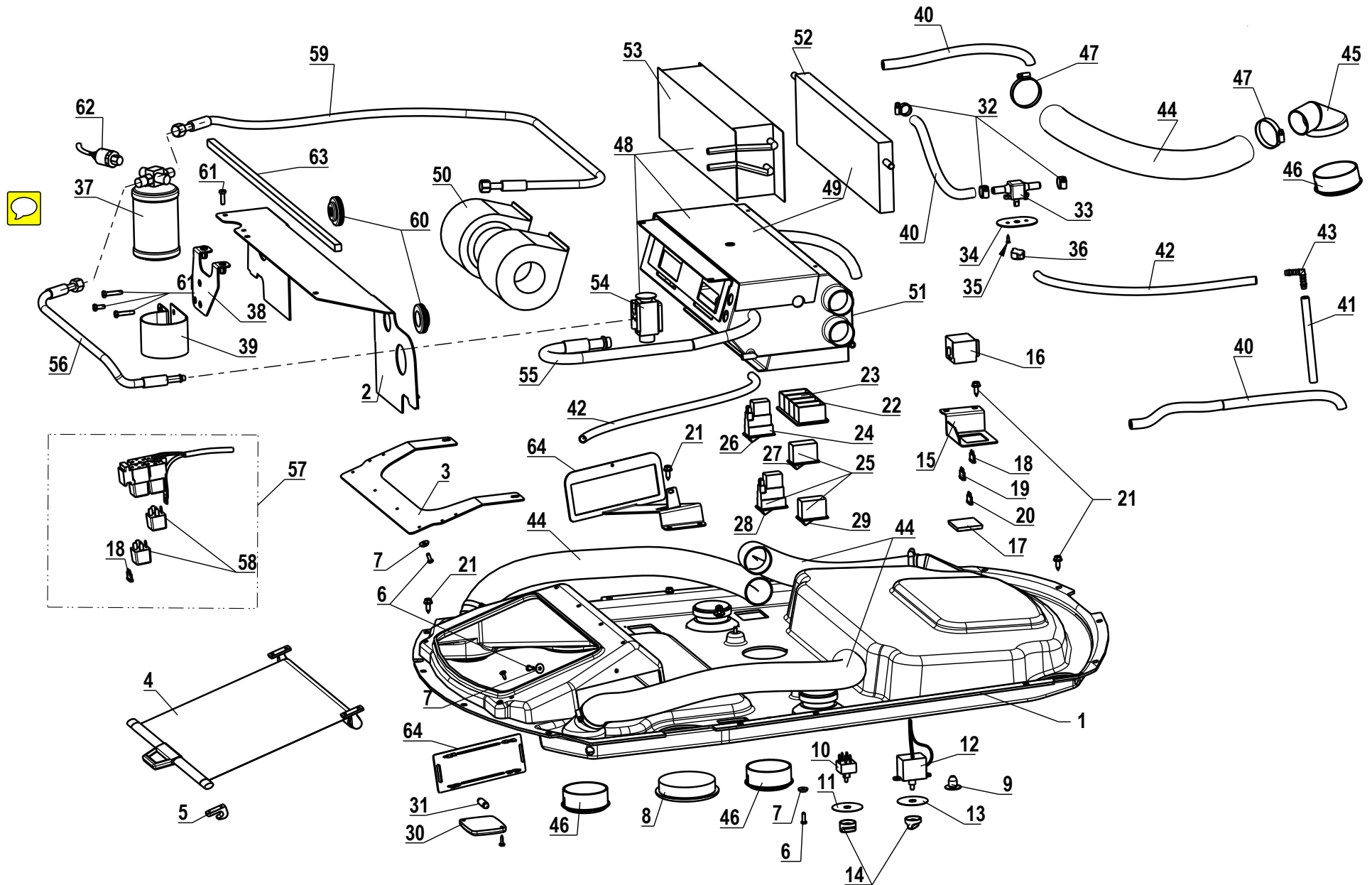
UNDER-ROOF - AIR CONDITIONING - HEATING

CODE REV

Y.01.05.L20003_0



Pos.	Code	Q.ty	Description	Notes
46	59905080	4	PIPE UNION	
58	59905088	4	RELAY	
1	59905169	1	LINING	
2	59905170	1	SUPPORT	
3	59905171	1	SUPPORT	
4	59905172	1	TENDINA PARASOLE (624220705)	
11	59905173	1	MOSTRINA VENTIL. (624073052)	
12	59905174	1	THERMOSTAT A/C	
13	59905175	1	MOSTRINA A/C (624073053)	
15	59905176	1	SUPPORT	
39	59905177	1	TUBO RISCALD.15X23 (724115033)	
40	59905178	1	TUBO RISCALD.9X15 (724115032)	
41	59905179	1	TUBO SC.CONDENSE (724091354)	
42	59905180	1	TUBO SC.CONDENSE (724091600)	
44	59905181	1	TUBO RISC.ARIA D45 (724116000)	
48	59905182	1	UNIT	
49	59905183	1	UNIT	
50	59905184	1	ELECTRO-FAN	
51	59905185	1	BLOWER	
52	59905186	1	RADIATOR	
53	59905187	1	VAPORIZER	
55	59905188	1	TUBO A/C (624990523)	
56	59905189	1	TUBO A/C (624990524)	
57	59905190	1	ELECTRICAL SYSTEM	



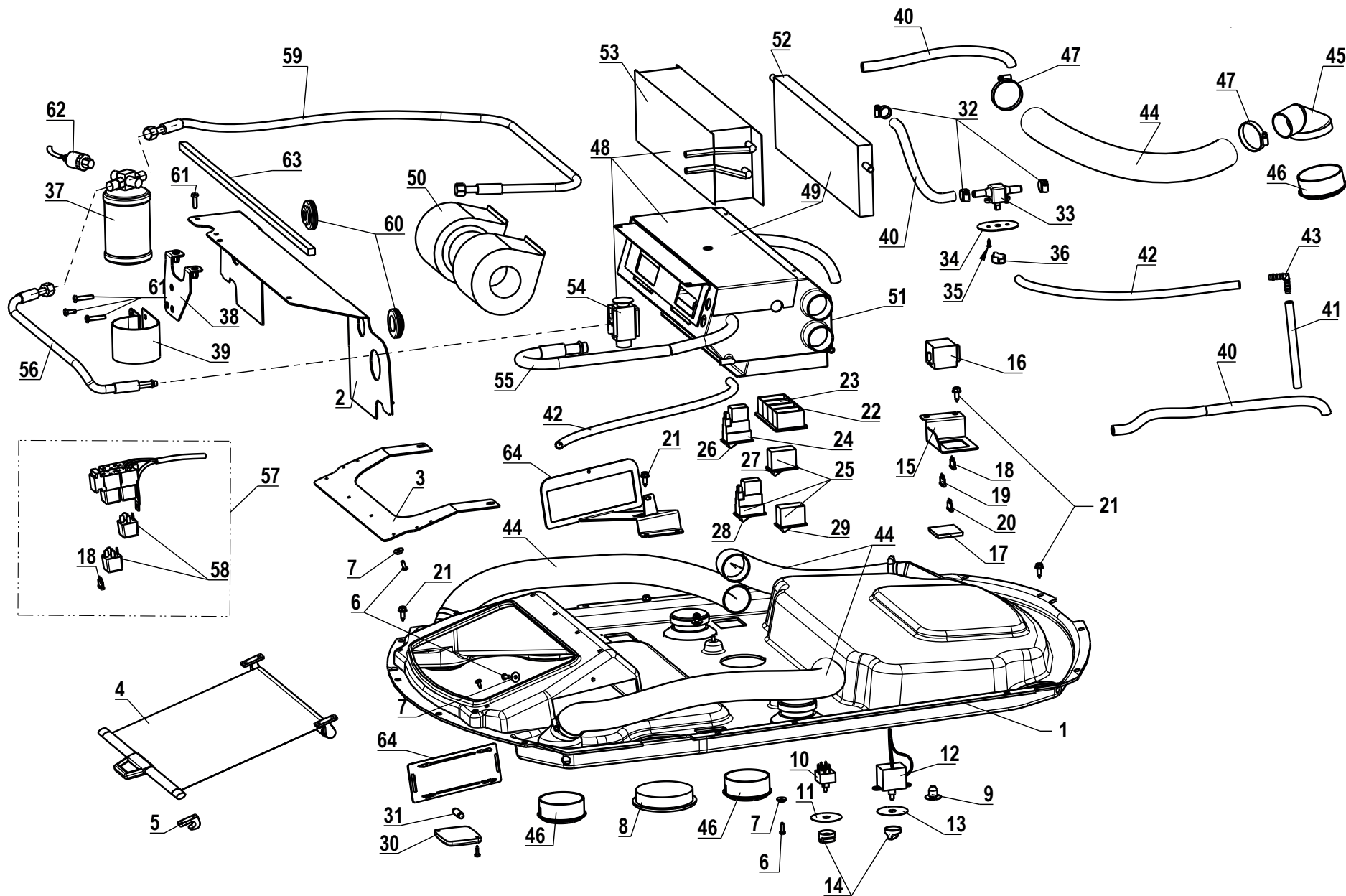
Pos.	Code	Q.ty	Description	Notes
61	31112093	6	SCREW TE M6X20	
22	59900051	2	SWITCH SUPPORT	
23	59900052	2	SWITCH SUPPORT	
25	59900053	3	SWITCH	
24	59900054	1	SWITCH	
17	59900057	1	COVER	
16	59900058	1	FUSE-HOLDER	
33	59900068	1	COCK OR TAP	
36	59900070	1	KNOB	
21	59900395	14	RIBBED SCREW 6,5X20	
14	59900447	2	KNOB	
10	59900449	1	SWITCH	
47	59900455	8	HOSE CLIP	
30	59900459	1	PLAFONIERA PER VENTILAZIONE	
8	59900463	2	TONGUE	
60	59900469	2	PLUG	
7	59900561	4	WASHER	
9	59900577	1	PLUG	
18	59900665	2	FUSE/LOCK	
19	59900666	3	FUSE/LOCK	
20	59900667	2	FUSE/LOCK	
31	59900668	1	LAMP	
26	59900669	1	GLASS	
27	59900670	1	GLASS	
28	59900671	1	GLASS	
29	59900672	1	GLASS	
45	59900686	4	PIPE FITTING	
43	59900688	6	ELBOW	
5	59900697	2	CLEVIS	
35	59900699	2	SCREW	
6	59905006	10	RIBBED SCREW	
32	59905075	6	CLAMP	
46	59905080	4	PIPE UNION	
58	59905088	4	RELAY	

SERIAL

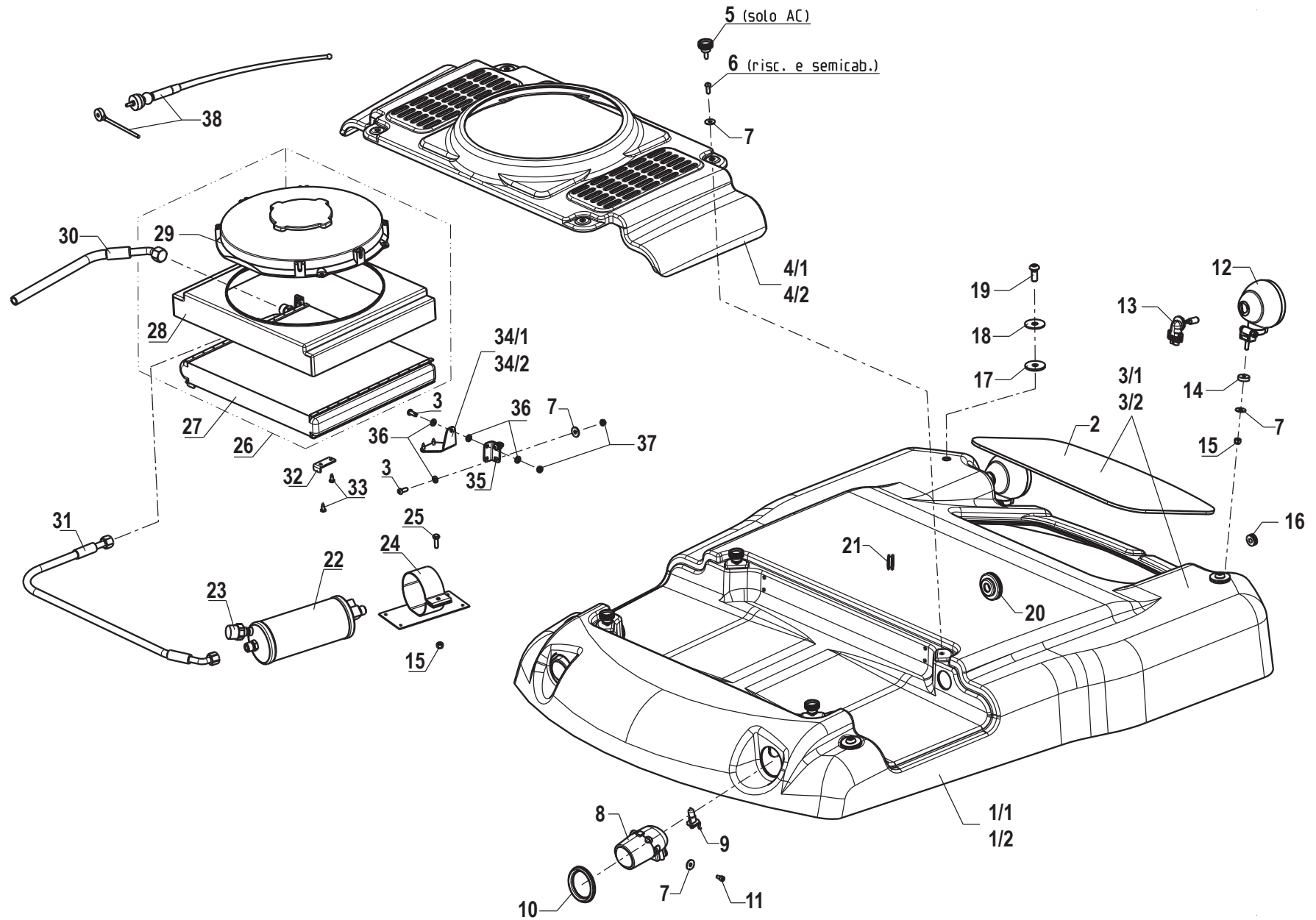
UNDER-ROOF - AIR CONDITIONING - HEATING

CODE REV

Y.01.05.L20003_1



Pos.	Code	Q.ty	Description	Notes
4	59905172	1	TENDINA PARASOLE (624220705)	
11	59905173	1	MOSTRINA VENTIL. (624073052)	
12	59905174	1	THERMOSTAT A/C	
13	59905175	1	MOSTRINA A/C (624073053)	
15	59905176	1	SUPPORT	
40	59905178	1	TUBO RISCALD.9X15 (724115032)	
41	59905179	1	TUBO SC.CONDENSE (724091354)	
42	59905180	1	TUBO SC.CONDENSE (724091600)	
44	59905181	1	TUBO RISC.ARIA D45 (724116000)	
57	59905190	1	ELECTRICAL SYSTEM	
1	59905234	1	RIVESTIMENTO BF8 V2 627B18415	
2	59905235	1	SUPP.GRUPPO VENTIL. 703B18881	
34	59905236	1	MASCHERINA 702842990	
37	59905237	2	DEHYDRATION FILTER	
38	59905238	1	STAFFA SIPP.FILTRO 703B18883	
39	59905239	1	STAFFA FILTRO 624141819	
48	59905240	1	GR.VENTILAZ.E A.C.624990111	
49	59905241	1	GR.IMP.VENT.RISC. 624765955	
50	59905242	1	ELETTROVENTILATORE 624990629	
51	59905243	1	SCATOLA GR.VENTIL. 624990626	
52	59905244	1	RADIATORE 624761659	
53	59905245	1	EVAPORATORE 624990627	
54	59905246	1	VALVOLA ESPANSIONE 624990628	
55	59905247	1	TUBO DA EVAP.A COMPR.624990632	
56	59905248	1	TUBO DA EVAP.A FILTR.624990635	
59	59905249	1	TUBO DA COND.A FILTR.624990634	
64	59905250	1	STAFFA FISS. RADIO 703B18884	
65	59905251	1	COPERCHIO FORO RADIO 622031905	
3	59905252	1	SUPP.TENDINA PARAS. 702B18882	
62	59905258	1	PRESSOSTATO TRINARY 043002.1	
63	59905259	1	GUARNIZ.GOMMASPUGNA 628141212	



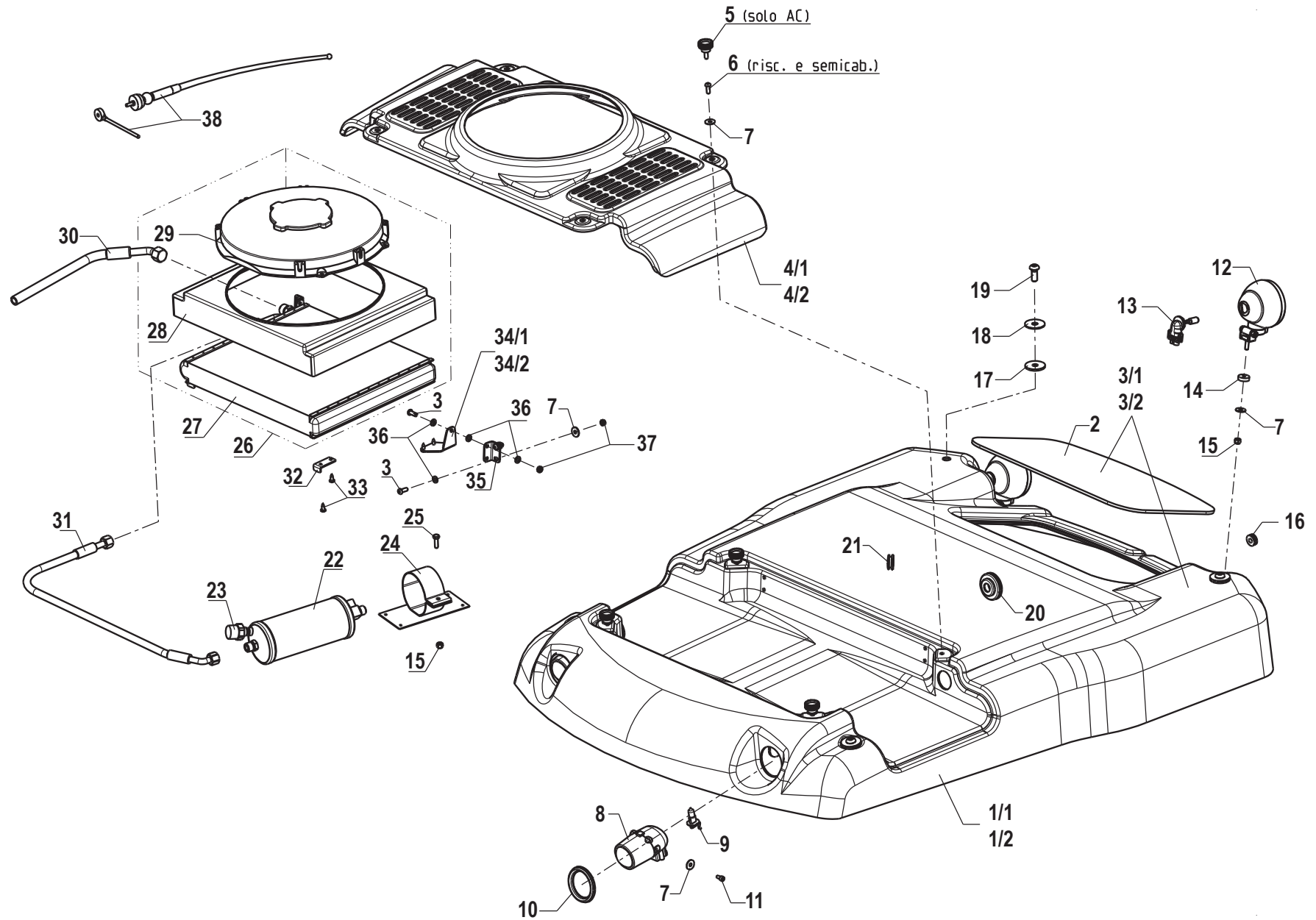
Pos.	Code	Q.ty	Description	Notes
25	31112093	1	SCREW TE M6X20	
15	31241060	2	HEXAGON SELFLOCK NUT M6	
17	59900074	4	WASHER	
16	59900075	2	GASKET	
7	59900398	14	WASHER M6X18	
18	59900404	4	WASHER FOR SUPPORTING M10X36	
20	59900469	2	PLUG	
21	59900576	1	PLUG	
5	59900725	4	KNOB	
8	59900727	2	HEADLIGHT	
9	59900728	2	LAMP	
11	59900730	4	SCREW	
38	59900731	1	AERIAL	
6	59900750	10	SCREW	
12	59900751	2	WORKING SPOTLIGHT	
13	59900752	1	LAMP	
33	59905006	8	RIBBED SCREW	
26	59905009	1	CONDENSER	
22	59905013	1	FILTER	
23	59905014	1	PRESSURE SWITCH	
24	59905015	1	RETAINER	
19	59905094	4	SCREW	
36	59905142	10	WASHER M6	
1a	59905191	1	TETTO VERS. A/C (623698405)	
1b	59905192	1	TETTO VERS.RISC.(623698406)	
2	59905193	1	VETRO TETTO (605050742)	
3a	59905194	1	ROOF FOR CABIN WITH A/C SYSTEM (706698405)	
3b	59905195	1	TETTO RISC C/VETRO (706698406)	
4a	59905196	1	COVER	
4b	59905197	1	COVER	
10	59905198	2	GASKET	
14	59905199	2	SPACER	
27	59905200	1	CONDENSER	
28	59905201	1	DUCT	

SERIAL

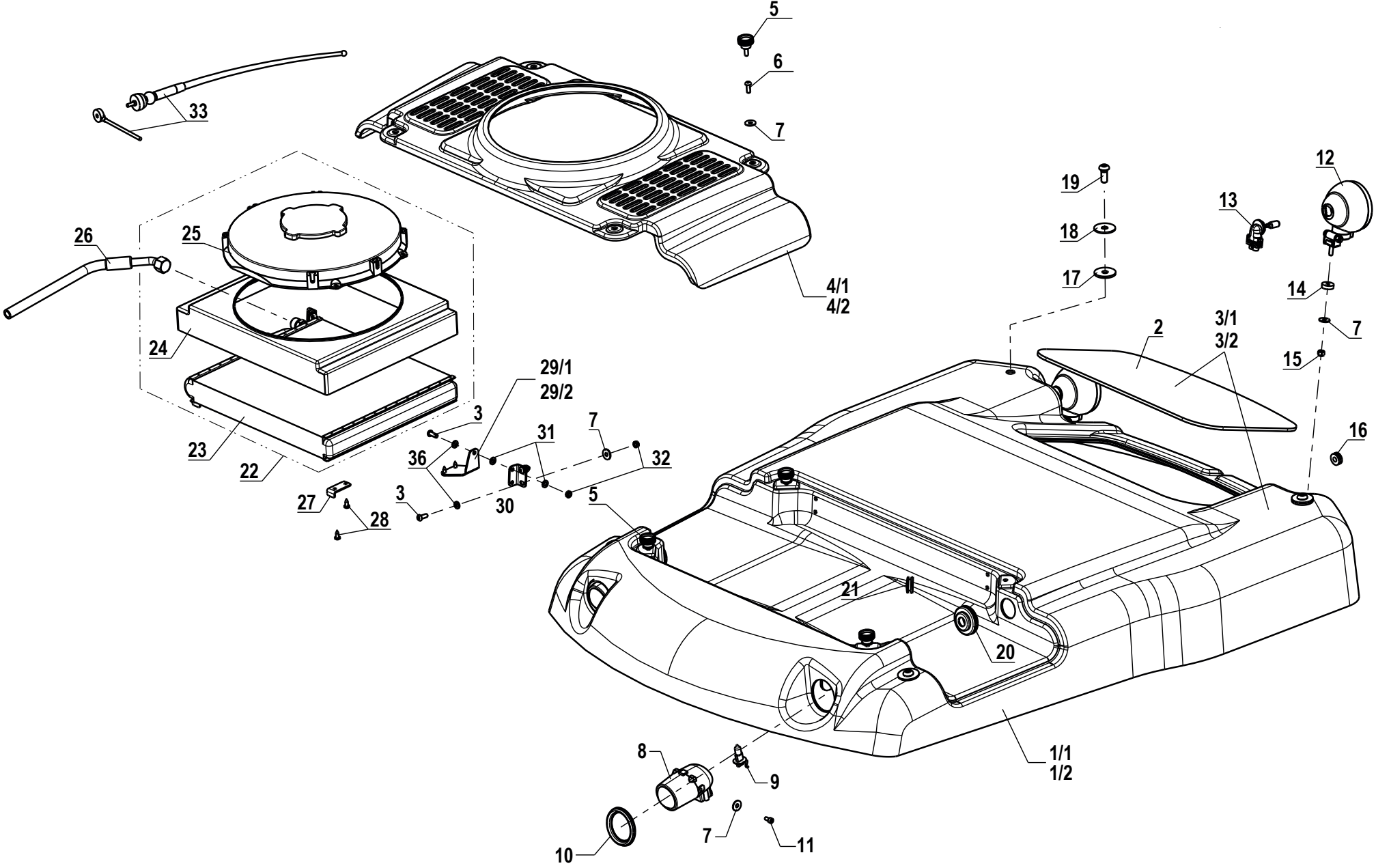
TOP - AIR CONDITIONING - HEATING

CODE REV

Y.01.06.L20003_0



Pos.	Code	Q.ty	Description	Notes
29	59905202	1	ELECTRO-FAN	
30	59905203	1	TUBO A/C (624990522)	
31	59905204	1	TUBO A/C (624990521)	
32	59905205	2	SUPPORT	
34a	59905206	1	LH HINGE	
34b	59905207	1	RH HINGE	
35	59905208	2	FIXING BRACKET	
37	59905210	6	SELFLOCK NUT M6	



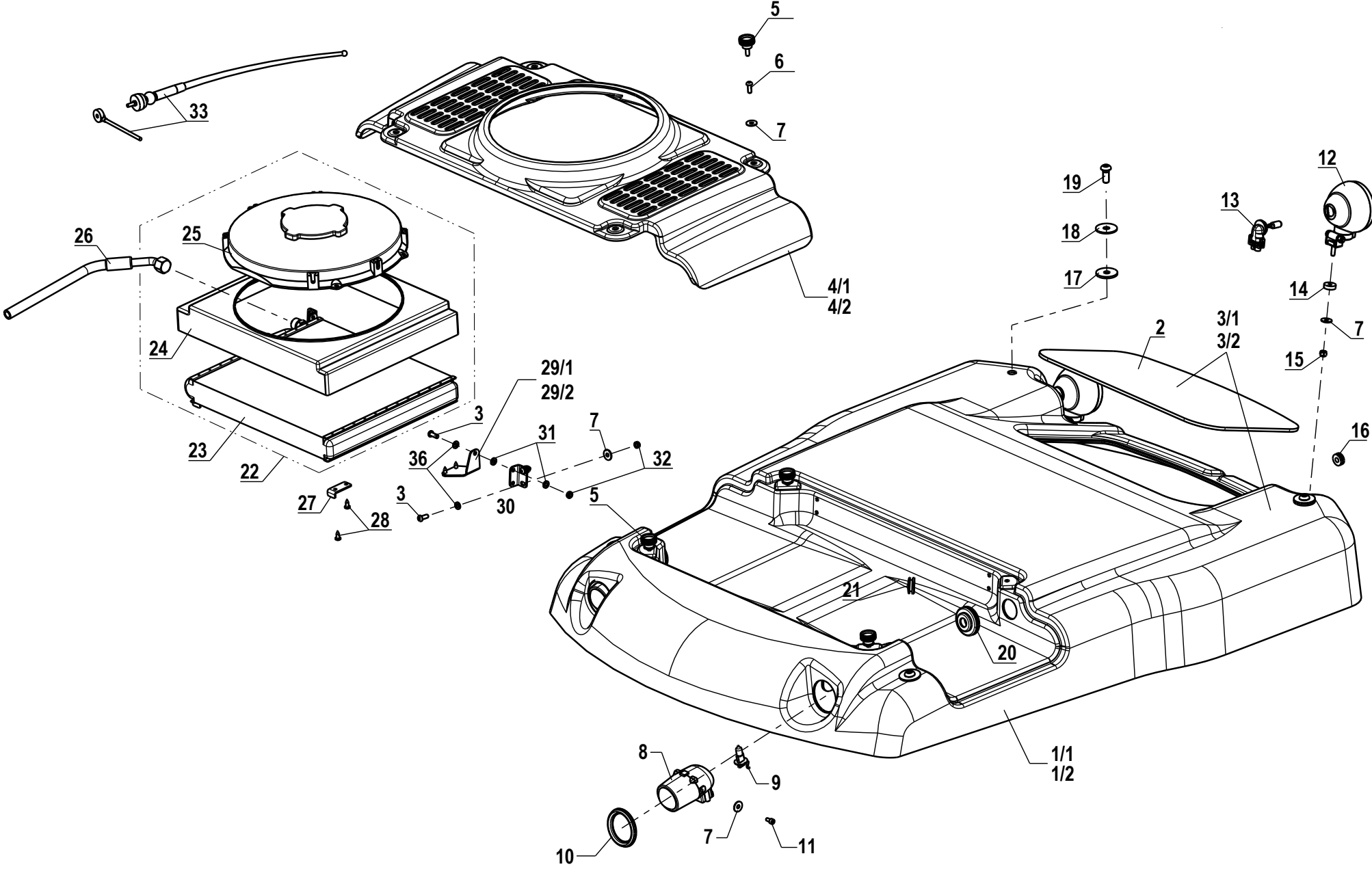
Pos.	Code	Q.ty	Description	Notes
15	31241060	2	HEXAGON SELFLOCK NUT M6	
17	59900074	4	WASHER	
16	59900075	2	GASKET	
7	59900398	14	WASHER M6X18	
18	59900404	4	WASHER FOR SUPPORTING M10X36	
20	59900469	2	PLUG	
21	59900576	1	PLUG	
5	59900725	4	KNOB	
8	59900727	2	HEADLIGHT	
9	59900728	2	LAMP	
11	59900730	4	SCREW	
38	59900731	1	AERIAL	
6	59900750	10	SCREW	
12	59900751	2	WORKING SPOTLIGHT	
13	59900752	1	LAMP	
33	59905006	8	RIBBED SCREW	
19	59905094	4	SCREW	
36	59905142	10	WASHER M6	
1a	59905191	1	TETTO VERS. A/C (623698405)	
1b	59905192	1	TETTO VERS.RISC.(623698406)	
2	59905193	1	VETRO TETTO (605050742)	
3a	59905194	1	ROOF FOR CABIN WITH A/C SYSTEM (706698405)	
3b	59905195	1	TETTO RISC C/VETRO (706698406)	
4a	59905196	1	COVER	
4b	59905197	1	COVER	
10	59905198	2	GASKET	
14	59905199	2	SPACER	
27	59905200	1	CONDENSER	
28	59905201	1	DUCT	
29	59905202	1	ELECTRO-FAN	
30	59905203	1	TUBO A/C (624990522)	
31	59905204	1	TUBO A/C (624990521)	
32	59905205	2	SUPPORT	
34a	59905206	1	LH HINGE	

SERIAL

TOP - AIR CONDITIONING - HEATING

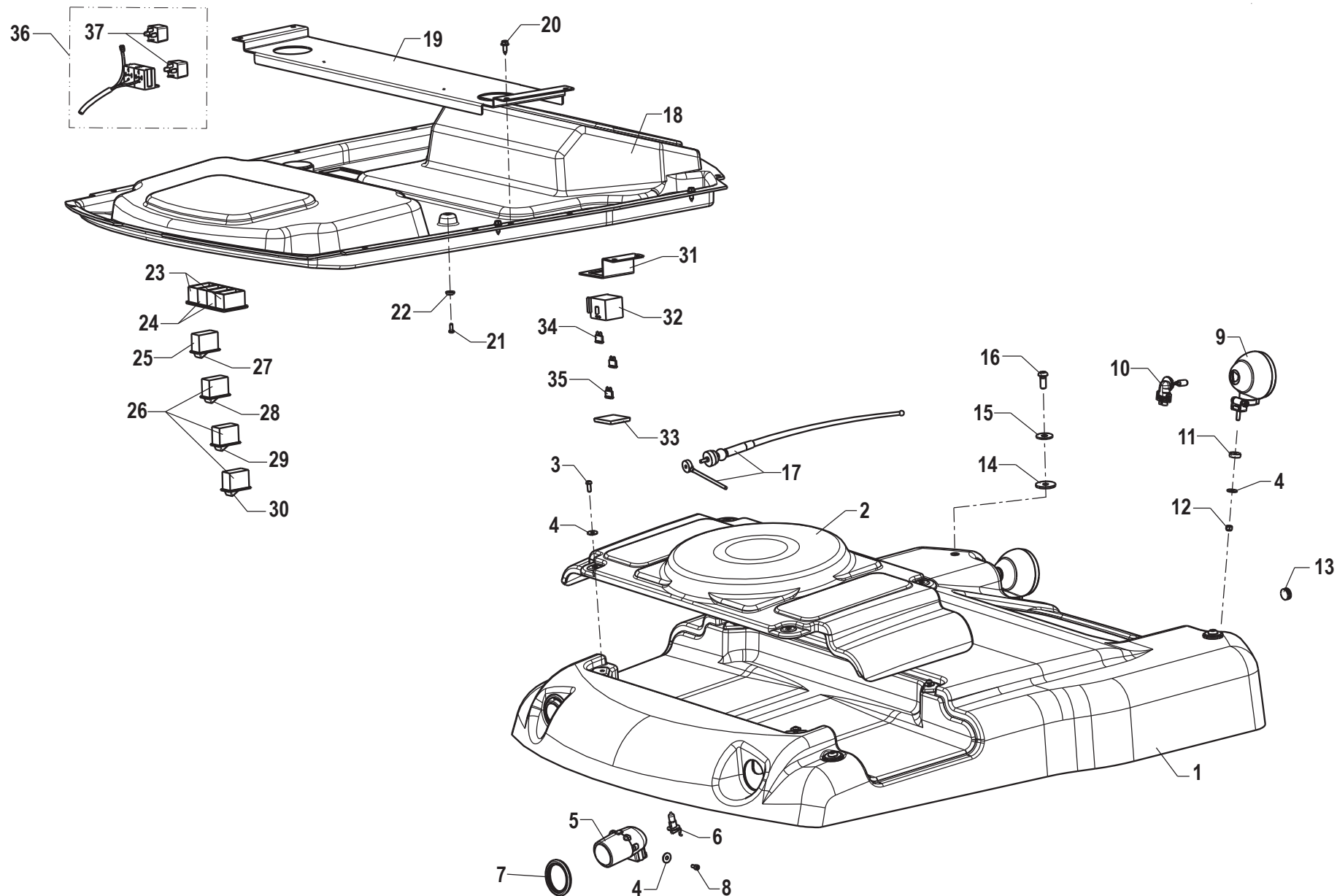
CODE REV

Y.01.06.L20003_1



Pos.	Code	Q.ty	Description	Notes
34b	59905207	1	RH HINGE	
35	59905208	2	FIXING BRACKET	
37	59905210	6	SELFLOCK NUT M6	
22	59905253	1	CONDENSATORE COMPL.624990631	
23	59905254	1	CONDENSATORE X CABINE BF8/BF9	
24	59905255	1	CONVOGLIATORE 624990630	
25	59905256	1	ELETTROVENTILATORE 624763565	
26	59905257	1	TUBO DA COND.A FILTR.624990633	

TOP AND UNDER-ROOF FOR CAB



Pos.	Code	Q.ty	Description	Notes
12	31241060	2	HEXAGON SELFLOCK NUT M6	
23	59900051	2	SWITCH SUPPORT	
24	59900052	2	SWITCH SUPPORT	
26	59900053	3	SWITCH	
25	59900054	1	SWITCH	
33	59900057	1	COVER	
32	59900058	1	FUSE-HOLDER	
14	59900074	4	WASHER	
13	59900075	2	GASKET	
20	59900395	14	RIBBED SCREW 6,5X20	
4	59900398	8	WASHER M6X18	
15	59900404	4	WASHER FOR SUPPORTING M10X36	
22	59900561	2	WASHER	
34	59900666	3	FUSE/LOCK	
35	59900667	2	FUSE/LOCK	
27	59900669	1	GLASS	
28	59900670	1	GLASS	
29	59900671	1	GLASS	
30	59900672	1	GLASS	
5	59900727	2	HEADLIGHT	
6	59900728	2	LAMP	
8	59900730	4	SCREW	
17	59900731	1	AERIAL	
3	59900750	4	SCREW	
9	59900751	2	WORKING SPOTLIGHT	
10	59900752	1	LAMP	
21	59905006	2	RIBBED SCREW	
37	59905088	2	RELAY	
16	59905094	4	SCREW	
36	59905147	1	ELECTRICAL SYSTEM	
18	59905150	1	LINING	
31	59905176	1	SUPPORT	
2	59905197	1	COVER	
7	59905198	2	GASKET	

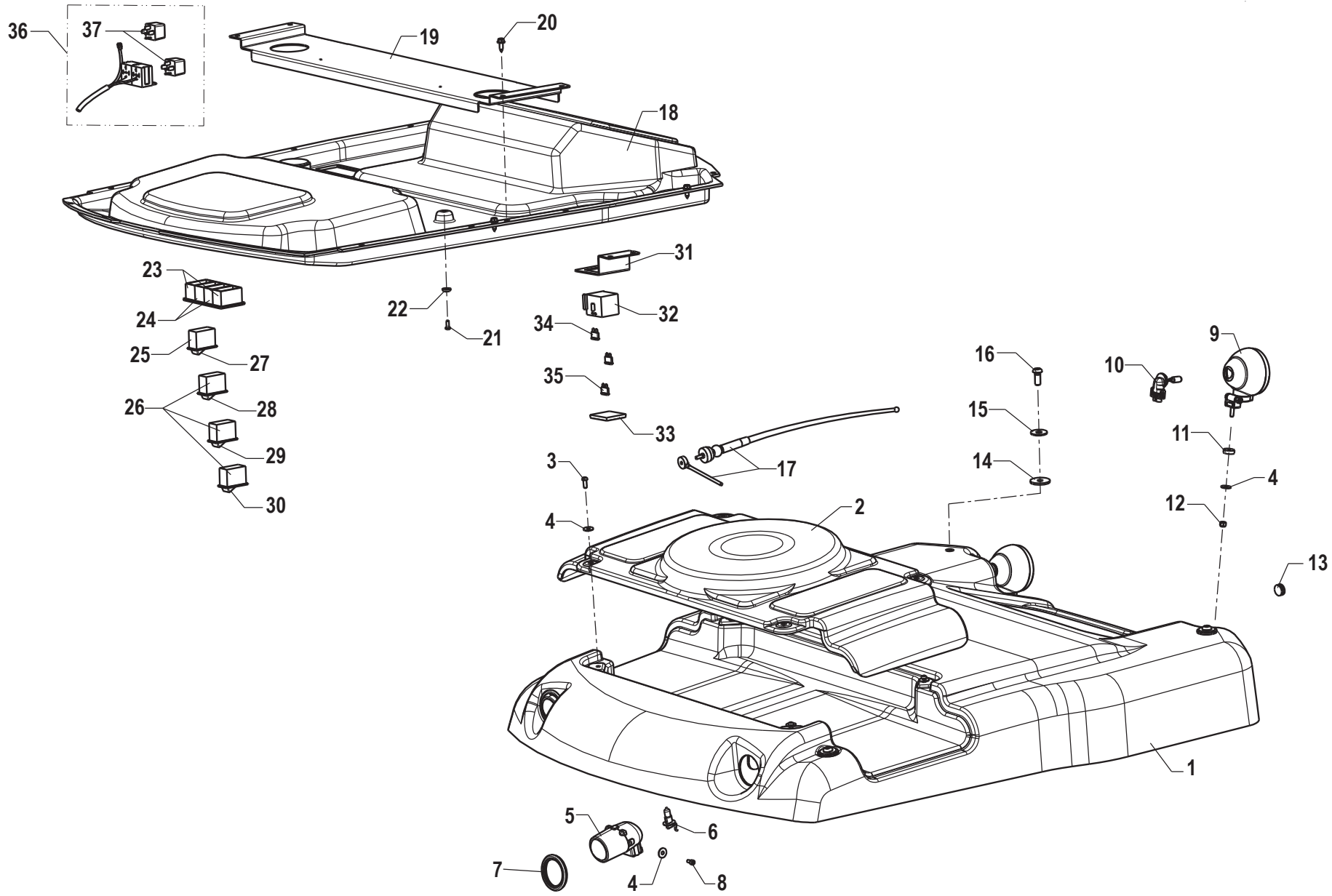
SERIAL

TOP AND UNDER-ROOF FOR CAB

CODE REV

Y.01.07.L20003_0

TOP AND UNDER-ROOF FOR CAB



Pos.	Code	Q.ty	Description	Notes
11	59905199	2	SPACER	
19	59905209	1	TRAVERSA (703B18499)	
1	59905211	1	TETTO SEMICABINA (623698407)	

SPARE PARTS INSTANCE INDEX





SPARE PARTS INSTANCE INDEX

Code	Parts Table	Pos.	Q.ty	Code	Parts Table	Pos.	Q.ty	Code	Parts Table	Pos.	Q.ty	
28177274	B.01.01.L20003_0	8	1	31111700	A.05.01.L20003_1	11	2	31112150	D.06.01.L20003_0	13	2	
30000007	C.01.01.L20003_0	35	4	31112047	B.09.01.L20004_0	36	1		D.16.02.L20004_0	2	3	
30000197	F.02.01.L20003_0	17	1		B.09.02.L20005_0	55	1		L.02.01.L20004_0	4	2	
30000200	L.02.01.L20004_0	29	2	31112082	B.01.01.L20003_0	18	2	31112151	A.01.01.L20003_0	4	2	
30000506	E.03.01.L20004_0	11	1		C.02.01.L20003_0	17	1		A.01.02.L20003_0	15	4	
30000797	B.08.01.L20003_0	19	1		D.07.01.L20003_0	21	3		A.06.01.L20003_0	3	1	
30010250	A.03.01.L20003_0	19	1		L.01.01.L20003_0	25	3		B.01.01.L20003_0	14	1	
30021170	A.04.01.L20003_0	10	2		M.01.01.L20003_0	25	3		M.02.01.L20004_0	5	2	
30021180	A.04.01.L20003_0	8	1	31112087	A.02.01.L20004_0	19	2	31112153	A.01.02.L20003_0	4	3	
30030016	A.02.01.L20004_0	4	1	31112089	A.03.01.L20003_0	6	6	31112154	B.03.01.L20003_0	19	6	
31100920	C.02.01.L20003_0	19	1	31112090	A.01.01.L20003_0	21	1		B.03.02.L20003_0	10	8	
31111084	B.08.01.L20003_0	15	4	31112093	B.01.01.L20003_0	25	2		L.01.01.L20003_0	8	1	
31111089	A.02.01.L20004_0	26	1		D.03.01.L20004_0	12	2		M.01.01.L20003_0	8	1	
	E.03.01.L20004_0	20	2		D.16.02.L20004_0	33	1	31112208	B.05.02.L20004_0	36	2	
	T.01.03.L20003_0	33	4		M.02.01.L20004_0	21	2		D.06.01.L20003_0	35	1	
31111090	E.03.01.L20004_0	16	2		T.01.01.L20003_0	18	1		E.02.01.L20003_0	10	1	
	M.02.01.L20004_0	11	4		T.01.02.L20003_0	18	2		L.02.01.L20004_0	11	2	
31111091	A.02.01.L20004_0	22	1		T.01.03.L20003_0	44	1	31112210	A.03.01.L20003_0	17	4	
	B.02.01.L20003_0	13	4		Y.01.02.L20003_0	17	2		A.05.01.L20003_0	14	2	
	D.02.01.L20004_0	18	8		Y.01.05.L20003_1	61	6		A.05.01.L20003_1	14	2	
31111102	L.02.01.L20004_0	2	2		Y.01.06.L20003_0	25	1		B.01.01.L20003_0	28	2	
31111151	A.05.01.L20003_0	10	1	31112146	A.05.01.L20003_0	23	2		B.05.02.L20004_0	21	2	
	A.05.01.L20003_1	10	1		A.05.01.L20003_1	23	2		L.02.01.L20004_0	21	2	
	B.03.01.L20003_0	33	6		D.02.01.L20004_0	20	2		T.01.03.L20003_0	4	2	
	B.03.02.L20003_0	31	6		D.03.01.L20004_0	15	2	31112211	L.01.01.L20003_0	5	4	
	B.05.02.L20004_0	16	8		D.05.01.L20004_0	8	3		M.01.01.L20003_0	5	4	
	C.01.01.L20003_0	11	1	31112147	A.05.01.L20003_0	18	4		T.01.01.L20003_0	8	6	
	F.02.01.L20003_0	4	4		A.05.01.L20003_1	18	4		T.01.02.L20003_0	8	6	
	L.01.01.L20003_0	18	2		D.06.01.L20003_0	27	1		T.01.03.L20003_0	12	6	
	L.02.01.L20004_0	17	1		31112149	T.01.03.L20003_0	36	2		U.01.01.L20003_0	20	1
	M.01.01.L20003_0	18	2	31112150	B.01.01.L20003_0	11	2	31112212	L.01.01.L20003_0	6	4	
	M.02.01.L20004_0	2	4		B.02.01.L20003_0	25	2		M.01.01.L20003_0	6	4	
31111330	U.01.01.L20003_0	15	2		C.02.01.L20003_0	13	6		M.01.01.L20003_0	35	4	
31111700	A.05.01.L20003_0	11	2		D.02.01.L20004_0	32	2	31112215	D.05.01.L20004_0	22	2	



SPARE PARTS INSTANCE INDEX

Code	Parts Table	Pos.	Q.ty	Code	Parts Table	Pos.	Q.ty	Code	Parts Table	Pos.	Q.ty
31112219	A.01.02.L20003_0	16	4	31132565	B.03.02.L20003_0	6	4	31211100	D.05.01.L20004_0	35	2
	B.08.01.L20003_0	6	4	31132566	B.09.01.L20004_0	28	4		U.01.01.L20003_0	21	1
	B.09.02.L20005_0	38	4		B.09.02.L20005_0	28	4	31211140	U.01.01.L20003_0	12	2
	C.03.01.L20003_0	4	4	31133590	D.06.01.L20003_0	16	1	31212100	B.05.02.L20004_0	38	2
	U.01.01.L20003_0	2	2	31152040	A.02.01.L20004_0	32	3		D.16.02.L20004_0	31	1
31112264	B.05.02.L20004_0	2	4	31152066	B.09.01.L20004_0	42	4	31221120	B.05.02.L20004_0	10	2
	C.01.01.L20003_0	16	14		B.09.02.L20005_0	49	4		B.09.02.L20005_0	36	2
31112272	B.01.01.L20003_0	24	6	31152083	D.02.01.L20004_0	23	1	31231080	A.02.01.L20004_0	11	2
	B.03.01.L20003_0	3	8	31152088	B.02.01.L20003_0	21	2		B.01.01.L20003_0	20	1
	B.03.02.L20003_0	3	8	31152098	B.05.02.L20004_0	20	2		M.02.01.L20004_0	28	4
	U.01.01.L20003_0	4	4	31200501	A.04.01.L20003_0	5	1	31231090	D.06.01.L20003_0	9	1
31112285	B.05.02.L20004_0	8	2	31211040	B.08.01.L20003_0	17	4	31231120	D.04.01.L20003_0	13	4
31112328	U.01.01.L20003_0	11	2	31211050	E.03.01.L20004_0	6	3		D.05.01.L20004_0	17	2
31112445	U.01.01.L20003_0	17	2	31211060	A.02.01.L20004_0	23	1	31231141	D.06.01.L20003_0	33	2
31112700	B.09.02.L20005_0	35	2		B.01.01.L20003_0	26	2	31241051	B.03.02.L20003_0	28	
31112880	E.02.01.L20003_0	4	1		T.01.01.L20003_0	3	1	31241060	Y.01.01.L20003_0	54	1
31112899	A.05.01.L20003_0	27	2		T.01.02.L20003_0	20	1		Y.01.06.L20003_0	15	2
	A.05.01.L20003_1	27	2		T.01.03.L20003_0	46	1		Y.01.06.L20003_1	15	2
31112902	A.01.01.L20003_0	8	2		Y.01.02.L20003_0	24	3		Y.01.07.L20003_0	12	2
31112903	A.01.01.L20003_0	25	2	31211080	A.01.01.L20003_0	5	2	31241080	B.01.01.L20003_0	17	1
31112904	A.01.01.L20003_0	22	5		A.01.01.L20003_0	14	2		Y.01.01.L20003_0	44	1
	A.01.02.L20003_0	17	5		A.01.02.L20003_0	19	2		Y.01.02.L20003_0	11	4
	B.01.01.L20003_0	22	10		A.04.01.L20003_0	4	1	31241081	B.02.01.L20003_0	20	2
31112910	A.01.01.L20003_0	20	5		A.05.01.L20003_0	24	3		B.09.01.L20004_0	24	1
	A.01.02.L20003_0	20	1		A.05.01.L20003_1	24	3		B.09.01.L20004_0	33	1
31112914	A.01.01.L20003_0	24	2		B.02.01.L20003_0	12	2		B.09.02.L20005_0	24	1
31121007	B.09.01.L20004_0	43	2		B.02.01.L20003_0	23	2		B.09.02.L20005_0	33	1
	B.09.02.L20005_0	43	2		B.03.01.L20003_0	36	6	31241100	Y.01.01.L20003_0	33	1
31132440	D.06.01.L20003_0	15	2		B.03.02.L20003_0	34	6	31241101	A.02.01.L20004_0	6	1
	D.06.01.L20003_0	31	1		B.05.02.L20004_0	18	6	31241142	M.01.01.L20003_0	41	1
31132562	A.02.01.L20004_0	17	2		D.01.01.L20003_0	2	1	31241181	D.03.01.L20004_0	23	1
	D.16.02.L20004_0	24	1		D.14.01.L20003_0	34	6	31312087	B.09.01.L20004_0	23	1
	T.01.03.L20003_0	21	4	31211100	B.09.02.L20005_0	39	4		B.09.02.L20005_0	23	1
31132565	B.03.01.L20003_0	15	4		D.02.01.L20004_0	29	1		D.14.01.L20003_0	33	6



SPARE PARTS INSTANCE INDEX

Code	Parts Table	Pos.	Q.ty	Code	Parts Table	Pos.	Q.ty	Code	Parts Table	Pos.	Q.ty
31400300	D.06.01.L20003_0	24	1	31411105	D.05.01.L20004_0	34	4	35111027	D.02.02.L20003_0	8	1
31400302	D.06.01.L20003_0	26	1		D.06.01.L20003_0	11	1	35111063	D.01.01.L20003_0	11	2
31411053	B.03.02.L20003_0	23	4		T.01.03.L20003_0	30	2	35121018	D.06.01.L20003_0	25	1
31411054	B.03.02.L20003_0	27			Y.01.01.L20003_0	31	2	35121030	D.07.01.L20003_0	11	1
31411064	B.02.01.L20003_0	16	6	31411130	B.05.02.L20004_0	9	2		D.14.01.L20003_0	2	1
	B.03.01.L20003_0	27	8		D.04.01.L20003_0	11	2	35121040	D.02.01.L20004_0	3	1
	B.03.02.L20003_0	18	8		D.05.01.L20004_0	20	2		D.14.01.L20003_0	3	1
	B.05.02.L20004_0	26	8	31411170	D.16.02.L20004_0	16	1	35131026	D.03.01.L20004_0	19	1
	D.06.01.L20003_0	22	1		T.01.02.L20003_0	35	1		D.05.01.L20004_0	14	1
	E.03.01.L20004_0	17	2		U.01.01.L20003_0	18	2		L.01.01.L20003_0	20	2
	F.02.01.L20003_0	7	2	31411212	T.01.03.L20003_0	7	2		M.01.01.L20003_0	20	2
	Y.01.02.L20003_0	16	1	31414400	L.01.01.L20003_0	12	2	35211060	B.02.01.L20003_0	8	1
31411066	T.01.01.L20003_0	19	1		M.01.01.L20003_0	12	2	37111400	D.02.01.L20004_0	5	2
	T.01.03.L20003_0	45	1	31421083	C.02.01.L20003_0	4	6	37111460	D.02.01.L20004_0	19	1
31411084	A.05.01.L20003_0	9	4	31450060	D.07.01.L20003_0	22	3	37111461	D.15.01.L20003_0	22	1
	A.05.01.L20003_1	9	4		L.01.01.L20003_0	26	3	37112503	D.15.01.L20003_0	4	1
	B.01.01.L20003_0	12	2		M.01.01.L20003_0	26	3	37120000	D.08.01.L20003_0	2	1
	B.01.01.L20003_0	15	1	31480191	C.03.01.L20003_0	2	1	37221300	D.01.01.L20003_0	10	2
	B.02.01.L20003_0	10	2	31510096	B.08.01.L20003_0	10	8	37321317	D.14.01.L20003_0	14	2
	B.03.01.L20003_0	34	6	34110021	D.06.01.L20003_0	23	1	37931413	D.14.01.L20003_0	16	1
	B.03.02.L20003_0	32	6	34110030	M.02.01.L20004_0	24	1	38110992	F.04.01.L20003_0	10	2
	B.05.02.L20004_0	19	6		T.01.03.L20003_0	9	2	38112024	A.05.01.L20003_0	1.4	1
	B.09.01.L20004_0	4	4	34110051	T.01.02.L20003_0	26	2		A.05.01.L20003_1	1.4	1
	B.09.01.L20004_0	32	2	34211028	B.09.01.L20004_0	19	1	38112200	D.16.02.L20004_0	5	1
	B.09.01.L20004_0	46	4		B.09.01.L20004_0	38	1	38112507	C.02.01.L20003_0	11	1
	B.09.02.L20005_0	4	4		B.09.02.L20005_0	19	1	38112670	D.01.01.L20003_0	6	1
	B.09.02.L20005_0	32	2		B.09.02.L20005_0	51	1	38112982	F.04.01.L20003_0	2	1
	B.09.02.L20005_0	46	4	34211054	D.16.02.L20004_0	8	2	38116317	D.15.01.L20003_0	3	1
	D.14.01.L20003_0	23	2	34213020	M.02.01.L20004_0	33	1	38118720	D.15.01.L20003_0	29	1
31411090	B.01.01.L20003_0	16	1	34213054	D.16.02.L20004_0	21	2	38211601	D.16.02.L20004_0	15	2
	Y.01.02.L20003_0	10	4	34221005	B.09.01.L20004_0	10	1	38212503	C.01.01.L20003_0	27	2
31411104	M.02.01.L20004_0	23	4		B.09.02.L20005_0	10	1		D.02.01.L20004_0	22	1
31411105	B.05.02.L20004_0	37	2	34240085	T.01.03.L20003_0	19	2	41AH0000	A.01.01.L20003_0	1	1
	D.03.01.L20004_0	18	1		T.01.03.L20003_0	40	2	50974166	D.07.01.L20003_0	17	1



SPARE PARTS INSTANCE INDEX

Code	Parts Table	Pos.	Q.ty	Code	Parts Table	Pos.	Q.ty	Code	Parts Table	Pos.	Q.ty
51171603	C.03.01.L20003_0	6	1	523A2300	D.10.01.L20004_0	19	1	524A2293	D.15.01.L20003_0	19	1
51171604	C.03.01.L20003_0	7	1	523A2301	D.10.01.L20004_0	18	2	524A2294	D.14.01.L20003_0	18	1
51172508	D.12.01.L20003_0	3	2	52471459	D.08.01.L20003_0	20	1	524A2295	D.15.01.L20003_0	20	1
51172962	M.01.01.L20003_0	40	1	52471509	D.01.01.L20003_0	19	2	524A2296	D.14.01.L20003_0	21	1
51173115	M.01.01.L20003_0	38	1	52471513	D.01.01.L20003_0	15	1	524A2302	D.08.01.L20003_0	15	1
51179309	U.01.01.L20003_0	13	4	52471516	D.01.01.L20003_0	16	1	524A2303	D.08.01.L20003_0	7	1
51179547	L.01.01.L20003_0	1	1	52472344	D.02.02.L20003_0	7	1	52579212	D.02.02.L20003_0	5	1
51179555	M.01.01.L20003_0	1	1	52472430	D.16.02.L20004_0	6	1	52579229	D.15.01.L20003_0	18	1
511A0111	C.03.01.L20003_0	8	1	52473721	D.08.01.L20003_0	19	1	525A1190	D.15.01.L20003_0	1	1
511A0112	C.03.01.L20003_0	9	1	52473789	D.08.01.L20003_0	6	0.33	530A2299	B.09.01.L20004_0	40	1
511A0116	D.05.01.L20004_0	1	1	52473796	D.08.01.L20003_0	17	1		B.09.02.L20005_0	47	1
511A0935	C.03.01.L20003_0	1	1	52473812	D.08.01.L20003_0	6	0.34	530A3103	A.02.01.L20004_0	25	1
511A2198N	B.01.01.L20003_0	1	1	52473813	D.08.01.L20003_0	6	0.33	53273891	D.15.01.L20003_0	34	1
511A2265	C.01.01.L20003_0	1	1	52473920	D.12.01.L20003_0	4	2	53279226	D.15.01.L20003_0	8	1
511A2298	D.10.01.L20004_0	25	1	52473921	D.12.01.L20003_0	12	6	55170047	D.04.01.L20003_0	9	2
511A2835	C.02.01.L20003_0	1	1	52473922	D.01.01.L20003_0	25	2	55175174	B.03.01.L20003_0	29	6
51271597	C.01.01.L20003_0	25	2	52474190	D.14.01.L20003_0	1	1		B.03.02.L20003_0	22	4
51271607	C.01.01.L20003_0	14	1	52479154	D.07.01.L20003_0	6	1	55178581	D.16.02.L20004_0	35	1
51271608	C.01.01.L20003_0	15	1	52479155	D.07.01.L20003_0	9	1		L.02.01.L20004_0	20	3
51272405	D.10.01.L20004_0	15	1	52479156	D.07.01.L20003_0	13	1	551A1601	B.09.01.L20004_0	26	1
51279318	D.10.01.L20004_0	16	1	52479157	D.08.01.L20003_0	25	1		B.09.02.L20005_0	26	1
51374866	D.01.01.L20003_0	20	1	52479158	D.07.01.L20003_0	16	1	551A1602	B.09.01.L20004_0	25	2
51379585	M.01.01.L20003_0	34	1	52479160	D.08.01.L20003_0	23	1		B.09.02.L20005_0	25	2
52071702	D.02.01.L20004_0	17	4	52479164	D.08.01.L20003_0	12	1	551A1603	D.10.01.L20004_0	3	3
52275923	D.10.01.L20004_0	12	1	52479220	D.14.01.L20003_0	6	1	551A2222	A.03.01.L20003_0	11	1
52275924	D.10.01.L20004_0	14	1	52479222	D.14.01.L20003_0	13	1	551A2224	A.04.01.L20003_0	9	1
522A1185	D.02.01.L20004_0	24	1	52479223	D.14.01.L20003_0	11	1	551A2797	A.03.01.L20003_0	12	1
52371679	D.16.02.L20004_0	4	1	52479225	D.14.01.L20003_0	10	1	55277307	A.02.01.L20004_0	15	1
52371733	D.02.01.L20004_0	26	1	52479233	D.14.01.L20003_0	17	1	55279804	B.03.01.L20003_0	21	1
52372292	D.15.01.L20003_0	16	1	52479236	D.15.01.L20003_0	24	1		B.03.02.L20003_0	12/1	1
52373177	D.05.01.L20004_0	16	2	52479238	D.15.01.L20003_0	26	1	55279805	B.03.01.L20003_0	22	1
52373240	D.10.01.L20004_0	13	1	52479321	D.16.02.L20004_0	22	2		B.03.02.L20003_0	13/1	1
523A0199	C.01.01.L20003_0	30	1	52479521	D.02.02.L20003_0	1	1	55279806	B.05.02.L20004_0	27	1
523A0200	C.01.01.L20003_0	31	1	524A1233	D.02.01.L20004_0	13	1	55279807	B.05.02.L20004_0	28	1



SPARE PARTS INSTANCE INDEX

Code	Parts Table	Pos.	Q.ty	Code	Parts Table	Pos.	Q.ty	Code	Parts Table	Pos.	Q.ty
55279820	B.08.01.L20003_0	08-gen	1	56170017	L.01.01.L20003_0	3	1	56179766	D.06.01.L20003_0	6	1
55279821V	B.08.01.L20003_0	12-mar	1		M.01.01.L20003_0	3	1	56179767	D.06.01.L20003_0	34	1
55279823	B.08.01.L20003_0	12-gen	1	56170043	D.04.01.L20003_0	10	2	56179770	D.06.01.L20003_0	4	1
55279866	B.02.01.L20003_0	3	1	56170226	C.01.01.L20003_0	13	1	56179791	T.01.01.L20003_0	13	2
	B.02.01.L20003_0	18	1	56171569	C.01.01.L20003_0	36	2		T.01.02.L20003_0	13	2
55279867	B.02.01.L20003_0	2	1	56171572	C.01.01.L20003_0	12	1	56179825	T.01.02.L20003_0	32	2
	B.02.01.L20003_0	19	1	56171671	D.01.01.L20003_0	7	1	56179896	T.01.02.L20003_0	28	2
552A0542	B.08.01.L20003_0	08-feb	1	56171672	D.01.01.L20003_0	9	1	56179958	L.02.01.L20004_0	3	1
552A0771	B.03.02.L20003_0	12/2	1	56171787	D.05.01.L20004_0	15	2	561A0003	L.02.01.L20004_0	6	1
552A0772	B.03.02.L20003_0	13/2	1	56171996	B.03.01.L20003_0	30	6	561A0004	L.02.01.L20004_0	8	1
552A2212	A.05.01.L20003_0	1	1		B.03.02.L20003_0	21	4	561A0081	A.04.01.L20003_0	3	1
56071725	T.01.01.L20003_0	6	1	56172547	F.02.01.L20003_0	12	2	561A0084	B.02.01.L20003_0	24	1
	T.01.02.L20003_0	6	1		L.02.01.L20004_0	26	1	561A0393	B.03.02.L20003_0	9	2
56071801	T.01.01.L20003_0	7	1	56172950	A.05.01.L20003_0	22	1	561A0393F	B.03.01.L20003_0	18	2
	T.01.02.L20003_0	7	1		A.05.01.L20003_1	22	1	561A0430	D.16.02.L20004_0	7	1
56072960	M.01.01.L20003_0	30	1	56173919	D.12.01.L20003_0	7	2	561A0432	B.05.02.L20004_0	5	2
56073148	M.01.01.L20003_0	33	1	56174658	B.01.01.L20003_0	10	1	561A0448	M.02.01.L20004_0	4	1
56074313	D.14.01.L20003_0	27	1	56174659	B.01.01.L20003_0	13	1	561A0546	F.02.01.L20003_0	11	2
56075197	M.02.01.L20004_0	18	1	56174773	B.09.01.L20004_0	41	1		L.02.01.L20004_0	25	1
56075265	M.02.01.L20004_0	22	1		B.09.02.L20005_0	48	1	561A0929	E.02.01.L20003_0	9	1
56075473	M.02.01.L20004_0	20	1	56174835	B.02.01.L20003_0	7	1	561A0940	A.01.02.L20003_0	13	1
56077608	A.05.01.L20003_0	15	2	56177045	B.03.01.L20003_0	25	8	561A0986	B.03.01.L20003_0	13	1
	A.05.01.L20003_1	15	2		B.03.02.L20003_0	16	8		B.03.02.L20003_0	4	1
56077760	M.02.01.L20004_0	19	1		B.05.02.L20004_0	24	4	561A0990	B.03.01.L20003_0	14	1
56079676	D.03.01.L20004_0	11	1	56177086	B.08.01.L20003_0	4	1		B.03.02.L20003_0	5	1
560A0372	D.06.01.L20003_0	30	1	56177222	B.05.02.L20004_0	6	2	561A1007	B.08.01.L20003_0	13	1
560A0440	B.09.01.L20004_0	27	1	56177648	A.02.01.L20004_0	10	1	561A1188	D.02.01.L20004_0	15	4
	B.09.02.L20005_0	27	1	56178695	F.04.01.L20003_0	21	3	561A1469	T.01.01.L20003_0	4	2
560A1025	T.01.03.L20003_0	20	2	56179308	U.01.01.L20003_0	14	2	561A1479	D.05.01.L20004_0	24	1
560A1027	T.01.03.L20003_0	27	2	56179322	D.16.02.L20004_0	23	1	561A1576	D.10.01.L20004_0	29	3
560A1028	T.01.03.L20003_0	28	2	56179473	T.01.03.L20003_0	18	2	561A1658Z	C.02.01.L20003_0	16	1
560A1029	T.01.03.L20003_0	29	2	56179531	F.04.01.L20003_0	9	1	561A2205	A.01.02.L20003_0	2	1
560A1035	D.14.01.L20003_0	35	1	56179625	B.01.01.L20003_0	9	1	561A2225	A.01.02.L20003_0	10	1
560A2995	A.04.01.L20003_0	2	1	56179763	D.06.01.L20003_0	19	1	561A2236	B.02.01.L20003_0	4	1



SPARE PARTS INSTANCE INDEX

Code	Parts Table	Pos.	Q.ty	Code	Parts Table	Pos.	Q.ty	Code	Parts Table	Pos.	Q.ty
561A2353	B.09.01.L20004_0	14	2	56349629	D.03.01.L20004_0	24	1	56371652	D.08.01.L20003_0	1	1
	B.09.02.L20005_0	14	2		D.05.01.L20004_0	13	1	56371661	D.08.01.L20003_0	26	0.2
561A2357	B.09.01.L20004_0	18	1		L.01.01.L20003_0	19	2	56371662	D.08.01.L20003_0	26	0.2
	B.09.02.L20005_0	18	1		M.01.01.L20003_0	19	2	56371663	D.08.01.L20003_0	26	0.2
561A2371N	B.03.01.L20003_0	10	1		T.01.02.L20003_0	27	4	56371664	D.08.01.L20003_0	26	0.2
561A2600	B.09.02.L20005_0	34	2	56370018	D.10.01.L20004_0	26	6	56371666	D.01.01.L20003_0	4	1
561A2635	M.02.01.L20004_0	6	1	56370081	C.01.01.L20003_0	8	1	56371667	D.01.01.L20003_0	12.2	0.25
561A2636	M.02.01.L20004_0	8	1		D.12.01.L20003_0	14	2	56371668	D.01.01.L20003_0	12.3	0.25
561A2718Z	C.02.01.L20003_0	14	1	56370172	D.10.01.L20004_0	6	3	56371669	D.01.01.L20003_0	12.4	0.25
561A2740	D.02.01.L20004_0	8	1	56370228	C.01.01.L20003_0	32	4	56371670	D.01.01.L20003_0	12.1	0.25
561A2741	E.03.01.L20004_0	19	1		C.02.01.L20003_0	1.4	2	56371708	D.04.01.L20003_0	6	2
561A2808	A.01.02.L20003_0	8	1		L.01.01.L20003_0	4	1	56371714	D.03.01.L20004_0	8	2
561A2814	B.01.01.L20003_0	4	1		M.01.01.L20003_0	4	1	56371715	D.03.01.L20004_0	9	2
561A2815	A.01.02.L20003_0	6	1	56370486	C.01.01.L20003_0	3	1	56371994	D.01.01.L20003_0	18	1
561A2954Z	A.01.01.L20003_0	2	1	56371440	D.07.01.L20003_0	3	2	56372086	T.01.01.L20003_0	14	2
561A2970	A.03.01.L20003_0	9	1	56371551	D.02.01.L20004_0	14	1		T.01.02.L20003_0	14	2
561A2972	A.03.01.L20003_0	5	6	56371571	C.01.01.L20003_0	21	4	56372952	M.01.01.L20003_0	31	0.25
561A2993	A.05.01.L20003_0	6	2	56371575	D.12.01.L20003_0	5	0.3	56372953	M.01.01.L20003_0	31	0.25
	A.05.01.L20003_1	6	2	56371576	D.12.01.L20003_0	5	0.3	56372954	M.01.01.L20003_0	31	0.25
561A3068	B.02.01.L20003_0	9	2	56371577	D.12.01.L20003_0	5	0.3	56372955	M.01.01.L20003_0	31	0.25
561A3069	B.01.01.L20003_0	5	1	56371578	D.12.01.L20003_0	5	0.3	56373349	D.12.01.L20003_0	5	0.3
561A3070	B.01.01.L20003_0	6	1	56371579	D.12.01.L20003_0	5	0.3	56373350	D.12.01.L20003_0	5	0.3
561A3085	A.03.01.L20003_0	8	1	56371582	C.01.01.L20003_0	17	0.8	56373440	D.08.01.L20003_0	26	0.2
561A3086	A.05.01.L20003_0	20	1	56371583	C.01.01.L20003_0	17	0.8	56375407	L.02.01.L20004_0	37	1
	A.05.01.L20003_1	20	1	56371584	C.01.01.L20003_0	17	0.8	56375436	A.02.01.L20004_0	9	1
561A3104	A.02.01.L20004_0	21	1	56371585	C.01.01.L20003_0	17	0.8	56375609	C.01.01.L20003_0	29	2
561A3105	A.02.01.L20004_0	18	1	56371586	C.01.01.L20003_0	17	0.8	56377112	A.02.01.L20004_0	5	1
561A3106	A.02.01.L20004_0	31	3	56371587	C.01.01.L20003_0	24	1	56379266	D.16.02.L20004_0	27/1	1
561A3118	A.02.01.L20004_0	28	1	56371588	C.01.01.L20003_0	24	1.5	56379267	D.14.01.L20003_0	15	1
561A3119Z	A.01.01.L20003_0	13	1	56371589	C.01.01.L20003_0	24	1	56379286	D.10.01.L20004_0	9	1
561A3125	A.01.01.L20003_0	3	1	56371590	C.01.01.L20003_0	24	2.5	56379287	D.10.01.L20004_0	7	1
56271457	D.08.01.L20003_0	22	1	56371605	D.04.01.L20003_0	4	2	56379288	D.10.01.L20004_0	11	1
56276359	C.02.01.L20003_0	1.6	1	56371606	D.04.01.L20003_0	3	4	56379289	D.10.01.L20004_0	10	1
56276360	C.02.01.L20003_0	1.5	1	56371612	C.03.01.L20003_0	10	2	56379290	D.10.01.L20004_0	8	1



SPARE PARTS INSTANCE INDEX

Code	Parts Table	Pos.	Q.ty	Code	Parts Table	Pos.	Q.ty	Code	Parts Table	Pos.	Q.ty
56379320	D.16.02.L20004_0	25	1	56471813	D.03.01.L20004_0	5	1	57377106	A.02.01.L20004_0	8	1
56379323	D.16.02.L20004_0	12	1	56472318	M.01.01.L20003_0	36	1	57377110	A.02.01.L20004_0	7	1
56379325	D.16.02.L20004_0	14	1	56473890	D.15.01.L20003_0	2	0.3	57379771	D.06.01.L20003_0	5	1
56379660	D.03.01.L20004_0	22	1	56474713	D.15.01.L20003_0	2	0.1	573A0291	B.09.01.L20004_0	29	1
56379765	D.06.01.L20003_0	8	1	56474714	D.15.01.L20003_0	2	0.1		B.09.02.L20005_0	29	1
56379808	T.01.02.L20003_0	25	2	56475517	D.15.01.L20003_0	2	0.25	573A0356	B.09.01.L20004_0	8	1
563A0095	D.16.02.L20004_0	27/2	1	56475518	D.15.01.L20003_0	2	0.25		B.09.02.L20005_0	8	1
563A0449	M.02.01.L20004_0	36	1	56475568	D.14.01.L20003_0	20	1	573A0371	D.06.01.L20003_0	29	1
563A0450	M.02.01.L20004_0	15	1	56475844	D.15.01.L20003_0	33	1	573A0622	A.03.01.L20003_0	19	1
563A0956	T.01.03.L20003_0	14	2	56479039	D.15.01.L20003_0	30	1	573A0754	B.03.02.L20003_0	24	1
563A0970	T.01.03.L20003_0	38	2	56479221	D.15.01.L20003_0	6	1	573A0755	B.03.02.L20003_0	25	1
563A1689	D.02.01.L20004_0	9	1	56479239	D.15.01.L20003_0	5	1	573A0784	B.08.01.L20003_0	12-feb	1
563A2077	D.06.01.L20003_0	18	1	56479240	D.14.01.L20003_0	22	1	573A1949	B.09.01.L20004_0	30	2
563A2120	D.15.01.L20003_0	12	1	56479241	D.15.01.L20003_0	27	1		B.09.02.L20005_0	30	2
563A2356	B.09.01.L20004_0	35	1	56479242	D.15.01.L20003_0	28	1	573A2200	A.03.01.L20003_0	4	1
	B.09.02.L20005_0	54	1	56479697	D.02.02.L20003_0	4	1	573A2215V	B.02.01.L20003_0	6	1
563A2358	B.09.01.L20004_0	17	1	56479768	D.06.01.L20003_0	21	1	573A2267	B.08.01.L20003_0	12-apr	1
	B.09.02.L20005_0	17	1	56479769	D.06.01.L20003_0	10	1	573A2364	B.09.01.L20004_0	21	1
563A2631	M.02.01.L20004_0	34	1	564A2716	C.02.01.L20003_0	10	1		B.09.02.L20005_0	21	1
563A2689	T.01.01.L20003_0	11	2	56571697	D.10.01.L20004_0	20	2	573A2622	B.09.01.L20004_0	5	1
	T.01.02.L20003_0	11	2	56572959	M.01.01.L20003_0	39	2		B.09.02.L20005_0	5	1
563A2975	A.01.02.L20003_0	5	1	56579865	D.02.01.L20004_0	28	1	573A2654	L.02.01.L20004_0	13	1
563A3038	F.04.01.L20003_0	7	1	56579874	L.01.01.L20003_0	11	1	573A2655	L.02.01.L20004_0	14	1
56470365	D.03.01.L20004_0	26	1		M.01.01.L20003_0	11	1	58024193	D.08.01.L20003_0	3	0.2
	D.05.01.L20004_0	32	4	56579895	T.01.02.L20003_0	3	1	58024194	D.08.01.L20003_0	3	0.2
56470797	D.05.01.L20004_0	18	2	565A0971	T.01.03.L20003_0	6	2	58024195	D.08.01.L20003_0	3	0.2
56471441	D.07.01.L20003_0	4	1	565A1468	T.01.01.L20003_0	2	1	58024196	D.08.01.L20003_0	3	0.2
56471461	D.08.01.L20003_0	24	1	565A2289	C.02.01.L20003_0	3	1	58048002	B.01.01.L20003_0	21	1
56471508	D.01.01.L20003_0	17	1	571A2278	A.05.01.L20003_0	1.3	2	58070164	D.10.01.L20004_0	5	3
56471565	D.01.01.L20003_0	24	2	57371570	C.01.01.L20003_0	22	4	58070168	D.10.01.L20004_0	24	3
56471654	D.07.01.L20003_0	10	1	57371900	A.05.01.L20003_0	8	1	58070169	D.10.01.L20004_0	2	3
56471655	D.08.01.L20003_0	4	1		A.05.01.L20003_1	8	1	58070366	D.04.01.L20003_0	12	2
56471665	D.01.01.L20003_0	5	1	57374545	B.09.01.L20004_0	9	1	58070373	D.05.01.L20004_0	10	2
56471709	D.04.01.L20003_0	7	2		B.09.02.L20005_0	9	1	58070390	B.09.01.L20004_0	20	1



SPARE PARTS INSTANCE INDEX

Code	Parts Table	Pos.	Q.ty	Code	Parts Table	Pos.	Q.ty	Code	Parts Table	Pos.	Q.ty
58070390	B.09.01.L20004_0	39	1	58076369	T.01.01.L20003_0	20	1	580A0572	B.07.01.L20003_0	25	1
	B.09.02.L20005_0	20	1		T.01.02.L20003_0	21	1	580A0972	T.01.03.L20003_0	8	2
	B.09.02.L20005_0	52	1		T.01.03.L20003_0	47	1	580A1016	B.07.01.L20003_0	13	1
58070741	D.10.01.L20004_0	23	5	58076753	A.04.01.L20003_0	7	1	580A1023	B.07.01.L20003_0	10	1
	D.16.02.L20004_0	9	2	58077047	B.07.01.L20003_0	16	1	580A1026	T.01.03.L20003_0	32	2
58071790	C.01.01.L20003_0	4	1	58077305	E.03.01.L20004_0	12	1	580A1037	B.07.01.L20003_0	31	1
58071793	C.02.01.L20003_0	1.1	1	58077942	F.02.01.L20003_0	9	2	580A1038	B.07.01.L20003_0	28	1
58071998	T.01.01.L20003_0	16	2	58079786	T.01.02.L20003_0	1	1	580A1039	B.07.01.L20003_0	14	1
	T.01.02.L20003_0	16	2	58079787	T.01.02.L20003_0	2	1	580A1040	A.03.01.L20003_0	13	1
58072389	D.15.01.L20003_0	17	1	58079789	T.01.01.L20003_0	1	2	580A1121	B.07.01.L20003_0	8	1
58072398	D.15.01.L20003_0	35	4	58079790	T.01.01.L20003_0	10	2	580A1189	D.02.01.L20004_0	16	8
58072399	D.15.01.L20003_0	13	1		T.01.02.L20003_0	10	2	580A1227	F.04.01.L20003_0	5	1
58072465	T.01.02.L20003_0	31	1	58079817	T.01.01.L20003_0	5	1	580A1345	L.01.01.L20003_0	16	2
58072505	D.08.01.L20003_0	11	1	58079818	T.01.02.L20003_0	5	1		M.01.01.L20003_0	16	2
58072510	B.07.01.L20003_0	23	1		T.01.03.L20003_0	41	1	580A1580	B.07.01.L20003_0	19	1
58072511	B.07.01.L20003_0	17	1	58079881	E.03.01.L20004_0	1	1	580A1581	B.07.01.L20003_0	18	1
58072573	B.07.01.L20003_0	21	1	58079929	B.02.01.L20003_0	15	4	580A1583	B.07.01.L20003_0	20	1
58072575	B.07.01.L20003_0	22	1		B.03.01.L20003_0	26	8	580A1605	B.07.01.L20003_0	30	1
58072642	T.01.01.L20003_0	12	2		B.03.02.L20003_0	17	8	580A1606	B.07.01.L20003_0	32	1
	T.01.02.L20003_0	12	2		B.05.02.L20004_0	32	8	580A1607	B.07.01.L20003_0	33	1
58073192	M.01.01.L20003_0	32	1	58092972	B.02.01.L20003_0	5	1	580A1609	B.07.01.L20003_0	34	4
58073227	A.02.01.L20004_0	13	1	58093053	A.03.01.L20003_0	15	1	580A1908	F.04.01.L20003_0	25	1
	D.06.01.L20003_0	28	1	580A0285	B.07.01.L20003_0	26	1	580A2134	B.08.01.L20003_0	21	2
58073788	D.07.01.L20003_0	18	1	580A0360	D.03.01.L20004_0	4	2	580A2171	B.07.01.L20003_0	7	1
58074092	D.15.01.L20003_0	11	1		D.05.01.L20004_0	29	1	580A2179	B.07.01.L20003_0	9	1
58074109	D.08.01.L20003_0	3	0.2	580A0478	E.01.01.L20003_0	1	1	580A2216	A.05.01.L20003_0	2	1
58074488	B.09.01.L20004_0	16	1	580A0479	E.01.01.L20003_0	6	2		A.05.01.L20003_1	2	1
	B.09.02.L20005_0	16	1	580A0481	E.03.01.L20004_0	8	1	580A2234	A.05.01.L20003_0	3	1
58074841	B.07.01.L20003_0	24	1	580A0482	D.16.02.L20004_0	32	1		A.05.01.L20003_1	3	1
58074880	B.07.01.L20003_0	15	1	580A0528	L.02.01.L20004_0	40	1	580A2365	B.03.01.L20003_0	12	1
58075515	D.15.01.L20003_0	32	6	580A0529	L.02.01.L20004_0	41	1	580A2623	B.09.01.L20004_0	6	1
58075603	L.01.01.L20003_0	10	1	580A0532	L.02.01.L20004_0	35	1		B.09.02.L20005_0	6	1
	M.01.01.L20003_0	10	1	580A0534	L.02.01.L20004_0	36	1	580A2681	B.09.01.L20004_0	37	1
58076077	B.07.01.L20003_0	12	1	580A0536	F.04.01.L20003_0	20	1		B.09.02.L20005_0	50	1



SPARE PARTS INSTANCE INDEX

Code	Parts Table	Pos.	Q.ty	Code	Parts Table	Pos.	Q.ty	Code	Parts Table	Pos.	Q.ty
580A2742	E.02.01.L20003_0	7	1	58171901	B.05.02.L20004_0	14	2	58175472	I.01.01.L20003_0	10	1
580A2747	E.03.01.L20004_0	3	1	58172011	I.01.01.L20003_0	1	1		M.02.01.L20004_0	1	1
580A2757	E.03.01.L20004_0	7	1	58172012	I.01.01.L20003_0	3	2	58175700	E.03.01.L20004_0	2	1
580A2864	B.07.01.L20003_0	2	1	58172014	I.01.01.L20003_0	2	1	58175783	T.01.02.L20003_0	4	2
580A2865	B.07.01.L20003_0	1	1	58172043	B.08.01.L20003_0	24	1		T.01.03.L20003_0	17	2
580A2867	B.07.01.L20003_0	5	2	58172304	I.01.01.L20003_0	5	1	58175937	D.08.01.L20003_0	10	1
580A2895	B.07.01.L20003_0	3	2	58172400	D.15.01.L20003_0	9	1	58176233	B.05.02.L20004_0	7	2
580A3035	E.02.01.L20003_0	6	1	58172402	D.15.01.L20003_0	10	1	58176395	E.01.01.L20003_0	3	2
580A3036	E.02.01.L20003_0	3	1	58172447	D.15.01.L20003_0	15	4	58176396	E.03.01.L20004_0	9	2
580A3042	F.02.01.L20003_0	14	1	58172448	D.15.01.L20003_0	14	4	58176406	E.01.01.L20003_0	7	2
580A3043	F.02.01.L20003_0	15	1	58172463	F.04.01.L20003_0	13	2		E.03.01.L20004_0	10	4
580A3099	A.02.01.L20004_0	29	2	58172489	I.01.01.L20003_0	7	1	58176593	B.08.01.L20003_0	18	1
580A3102	A.02.01.L20004_0	30	1	58173116	B.08.01.L20003_0	26.1	1	58176743	E.01.01.L20003_0	5	4
580A3112	A.05.01.L20003_0	17	1	58173119	B.08.01.L20003_0	25.3	1	58177087	B.08.01.L20003_0	03-gen	1
	A.05.01.L20003_0	21	1		B.08.01.L20003_0	26.3	1	58177240	D.16.02.L20004_0	13	1
	A.05.01.L20003_1	17	1	58173120	B.08.01.L20003_0	25.2	1	58177268	B.08.01.L20003_0	25.1	1
	A.05.01.L20003_1	21	1	58173121	B.08.01.L20003_0	26.2	1	58177330	B.05.02.L20004_0	22	2
580A3121	B.07.01.L20003_0	4	2	58173230	D.06.01.L20003_0	32	1	58177756	Y.01.01.L20003_0	56	1
580A3133	B.07.01.L20003_0	11	1		D.16.02.L20004_0	28	1	58177761	M.02.01.L20004_0	17	1
58170039	C.01.01.L20003_0	19	2	58173345	B.08.01.L20003_0	14	1	58179169	D.08.01.L20003_0	8	33
58170069	C.01.01.L20003_0	2	1	58173361	I.01.01.L20003_0	8	1	58179237	D.14.01.L20003_0	4	1
58170571	E.03.01.L20004_0	3,2	1	58173775	B.07.01.L20003_0	29	1	58179399	T.01.02.L20003_0	23	2
58170572	E.03.01.L20004_0	3,1	1	58173790	D.08.01.L20003_0	5	1	58179783	A.03.01.L20003_0	16	2
58171514	D.01.01.L20003_0	22	1	58173797	D.08.01.L20003_0	18	1	58179811	C.02.01.L20003_0	1.3	5
58171515	D.01.01.L20003_0	23	1	58174547	F.04.01.L20003_0	19	1	58179859	D.06.01.L20003_0	20	1
58171558	D.02.01.L20004_0	11	7	58175014	A.01.01.L20003_0	11	1	58179860	D.06.01.L20003_0	3	1
58171559	D.02.01.L20004_0	12	6	58175187	L.02.01.L20004_0	10	2	58179928	D.07.01.L20003_0	7	1
58171567	D.12.01.L20003_0	10	12		M.02.01.L20004_0	10	2	581A0029	B.08.01.L20003_0	28	1
58171596	C.01.01.L20003_0	26	2	58175188	L.02.01.L20004_0	7	1	581A0071	E.01.01.L20003_0	2	2
	D.03.01.L20004_0	2	4		M.02.01.L20004_0	7	1	581A0108	C.03.01.L20003_0	3	1
	D.05.01.L20004_0	2	2	58175211	L.02.01.L20004_0	9	1	581A0174	A.01.02.L20003_0	14	1
58171653	D.12.01.L20003_0	11	120		M.02.01.L20004_0	9	1	581A0379	B.08.01.L20003_0	03-feb	1
58171706	D.04.01.L20003_0	1	2	58175318	L.01.01.L20003_0	2	2	581A0443	I.01.01.L20003_0	6	1
58171707	D.04.01.L20003_0	2	6		M.01.01.L20003_0	2	2	581A0444	I.01.01.L20003_0	4	2



SPARE PARTS INSTANCE INDEX

Code	Parts Table	Pos.	Q.ty	Code	Parts Table	Pos.	Q.ty	Code	Parts Table	Pos.	Q.ty
581A0907	I.01.01.L20003_0	9	1	59078588	L.01.01.L20003_0	21	1	590A0064	B.03.02.L20003_0	2	1
	L.02.01.L20004_0	1	1		M.01.01.L20003_0	21	1	590A0091	B.05.02.L20004_0	40	1
581A0988	E.01.01.L20003_0	8	2		T.01.01.L20003_0	17	1		L.02.01.L20004_0	16	1
581A1577	D.10.01.L20004_0	1	3		T.01.02.L20003_0	17	1	590A0093	L.02.01.L20004_0	19	1
581A2199	A.03.01.L20003_0	7	1		T.01.03.L20003_0	43	1	590A0101	D.16.02.L20004_0	30	1
581A2213	A.06.01.L20003_0	2	1	59079172	C.03.01.L20003_0	12	1	590A0298	T.01.02.L20003_0	33	1
581A2235	A.04.01.L20003_0	1	1	59079319	D.16.02.L20004_0	20	1	590A0301	T.01.02.L20003_0	34	1
581A2277	C.02.01.L20003_0	12	1	59079324	D.16.02.L20004_0	18/1	1	590A0329	D.16.02.L20004_0	18/2	1
581A2292	D.01.01.L20003_0	1	1	59079538	D.02.01.L20004_0	6	1	590A0446	M.01.01.L20003_0	29	1
581A2355	F.02.01.L20003_0	1	1	59079592	L.01.01.L20003_0	14	1	590A0451	M.02.01.L20004_0	31	1
581A2708	B.09.01.L20004_0	34	1		M.01.01.L20003_0	14	1	590A0454	M.02.01.L20004_0	29	1
	B.09.02.L20005_0	53	1	59079593	L.01.01.L20003_0	15	1	590A0457	M.02.01.L20004_0	32	1
581A2789	A.03.01.L20003_0	2	1		M.01.01.L20003_0	15	1	590A0544	L.02.01.L20004_0	33	1
581A2790	A.03.01.L20003_0	3	2	59079597	D.03.01.L20004_0	1	1	590A0570	F.04.01.L20003_0	17	1
581A2791	A.03.01.L20003_0	1	1	59079605	D.05.01.L20004_0	3	1	590A0571	F.04.01.L20003_0	18	1
581A2805	A.06.01.L20003_0	5	1	59079609	D.05.01.L20004_0	4	1	590A0638	M.02.01.L20004_0	35	1
581A3051	B.08.01.L20003_0	09-gen	1	59079632	D.05.01.L20004_0	27	1	590A0756	D.07.01.L20003_0	23	1
581A3053	B.08.01.L20003_0	09-feb	1	59079638	D.03.01.L20004_0	21	1		L.01.01.L20003_0	23	1
581A3066	A.05.01.L20003_0	12	1	59079643	D.03.01.L20004_0	14	2		M.01.01.L20003_0	23	1
581A3265	A.01.01.L20003_0	10	1		D.05.01.L20004_0	28	1	590A0795	U.01.01.L20003_0	9	1
581A3995	A.05.01.L20003_1	12	1	59079645	D.05.01.L20004_0	7	1	590A0796	U.01.01.L20003_0	10	1
59070592	B.05.02.L20004_0	35	1	59079649	D.05.01.L20004_0	6	1	590A0848	B.03.01.L20003_0	24	1
59071171	C.01.01.L20003_0	10	1	59079665	D.03.01.L20004_0	25	1		B.03.02.L20003_0	15/1	1
59071518	D.01.01.L20003_0	21	1	59079675	D.03.01.L20004_0	20	1	590A0849	B.03.01.L20003_0	23	1
59071640	D.03.01.L20004_0	7	1		D.05.01.L20004_0	11	1		B.03.02.L20003_0	14/1	1
59071953	C.01.01.L20003_0	7	1	59079759	D.06.01.L20003_0	1	1	590A0950	T.01.03.L20003_0	1	1
59072754	D.16.02.L20004_0	1	1	59079760	D.06.01.L20003_0	2	1	590A0954	T.01.03.L20003_0	2	1
59073066	D.05.01.L20004_0	30	2	59079792	T.01.02.L20003_0	24	2	590A0957	T.01.03.L20003_0	15	1
59074317	D.05.01.L20004_0	26	1	59079844	B.03.01.L20003_0	1	1	590A0960	T.01.03.L20003_0	16	1
59076690	B.03.01.L20003_0	5	2	59079845	B.03.01.L20003_0	2	1	590A0963	T.01.03.L20003_0	23	1
59077101	A.02.01.L20004_0	3	1	590A0057	B.05.02.L20004_0	29	1	590A0964	T.01.03.L20003_0	22	1
59077107	A.02.01.L20004_0	1	1	590A0058	B.05.02.L20004_0	31	1	590A0968	T.01.03.L20003_0	24	1
59077242	E.03.01.L20004_0	13	1	590A0059	B.05.02.L20004_0	34	1	590A0969	T.01.03.L20003_0	25	1
59077943	F.02.01.L20003_0	8	2	590A0063	B.03.02.L20003_0	1	1	590A0973	T.01.03.L20003_0	10.1	1



SPARE PARTS INSTANCE INDEX

Code	Parts Table	Pos.	Q.ty	Code	Parts Table	Pos.	Q.ty	Code	Parts Table	Pos.	Q.ty
590A0977	T.01.03.L20003_0	11.1	1	590A2339V	B.09.02.L20005_0	2	1	590A3082	A.05.01.L20003_1	19	1
590A0980	T.01.03.L20003_0	10	1	590A2344	B.09.01.L20004_0	7	1	590A3120	U.01.01.L20003_0	19	1
590A0982	T.01.03.L20003_0	11	1		B.09.02.L20005_0	7	1	590A4404	A.05.01.L20003_1	1.3	2
590A1009	B.03.02.L20003_0	14/2	1	590A2346	D.07.01.L20003_0	20	1	59271011	F.04.01.L20003_0	14	1
590A1010	B.03.02.L20003_0	15/2	1		L.01.01.L20003_0	24	1		L.01.01.L20003_0	27	1
590A1030	T.01.03.L20003_0	35	2		M.01.01.L20003_0	24	1		M.01.01.L20003_0	27	1
590A1204	F.02.01.L20003_0	6	1	590A2348	B.09.01.L20004_0	13	1	59273944	D.12.01.L20003_0	9	2
	L.02.01.L20004_0	32	1		B.09.02.L20005_0	13	1	592A1187	D.02.01.L20004_0	10	1
590A1645	L.01.01.L20003_0	17	2	590A2372N	B.03.01.L20003_0	11	1	592A3994	A.05.01.L20003_1	1	1
	M.01.01.L20003_0	17	2	590A2387V	B.09.01.L20004_0	47	1	59379041	D.14.01.L20003_0	26	1
590A1683	D.02.01.L20004_0	21	1		B.09.02.L20005_0	42	1	59379589	F.04.01.L20003_0	1	1
590A1686	D.02.01.L20004_0	31	1	590A2629	M.02.01.L20004_0	25	1	593A0864	B.09.01.L20004_0	11	1
590A1919N	B.05.02.L20004_0	39	1	590A2648	B.09.01.L20004_0	22	1		B.09.02.L20005_0	11	1
590A1990V	B.03.01.L20003_0	16	1		B.09.02.L20005_0	22	1	593A2290	D.01.01.L20003_0	13	1
590A1991V	B.03.01.L20003_0	17	1	590A2721	B.01.01.L20003_0	27	1	59900006	Y.01.01.L20003_0	16	2
590A1994V	B.03.02.L20003_0	07/2	1	590A2787	D.06.01.L20003_0	7	1	59900013	Y.01.01.L20003_0	41	1
590A1995V	B.03.02.L20003_0	8/2	1	590A2802	A.01.02.L20003_0	12	1	59900026	Y.01.01.L20003_0	12	2
590A1996V	B.05.02.L20004_0	13	1	590A2802N	B.01.01.L20003_0	3	1	59900027	Y.01.01.L20003_0	13	2
590A1997V	B.05.02.L20004_0	12	1	590A2807	A.01.01.L20003_0	18	1	59900028	Y.01.01.L20003_0	14	2
590A2000V	B.03.02.L20003_0	07/1	1		A.01.02.L20003_0	7	1	59900031	Y.01.01.L20003_0	55	2
590A2001V	B.03.02.L20003_0	08/1	1	590A2810	A.01.02.L20003_0	11	1	59900034	Y.01.01.L20003_0	11	2
590A2059	D.16.02.L20004_0	11	1	590A2810N	A.01.01.L20003_0	19	1	59900035	Y.01.01.L20003_0	20	4
590A2204N	B.01.01.L20003_0	2	1	590A2830	U.01.01.L20003_0	1	1	59900037	Y.01.01.L20003_0	21	4
590A2214	A.06.01.L20003_0	1	1	590A2832	U.01.01.L20003_0	6	1		Y.01.02.L20003_0	18	1
590A2220V	B.02.01.L20003_0	1	1	590A2913	A.05.01.L20003_0	4	1	59900046	Y.01.01.L20003_0	29	1
590A2228	F.02.01.L20003_0	2	1		A.05.01.L20003_1	4	1	59900047	Y.01.01.L20003_0	28	1
590A2229	F.02.01.L20003_0	3	1	590A2914	A.05.01.L20003_0	5	1	59900051	Y.01.05.L20003_0	22	2
590A2237	A.01.02.L20003_0	9	1		A.05.01.L20003_1	5	1		Y.01.05.L20003_1	22	2
590A2250	B.05.02.L20004_0	1	1	590A2944	A.03.01.L20003_0	10	1		Y.01.07.L20003_0	23	2
590A2254N	B.03.01.L20003_0	4	1		B.01.01.L20003_0	30	1	59900052	Y.01.05.L20003_0	23	2
590A2316	B.09.01.L20004_0	1	1	590A2994	A.05.01.L20003_0	7	1		Y.01.05.L20003_1	23	2
	B.09.02.L20005_0	1	1		A.05.01.L20003_1	7	1		Y.01.07.L20003_0	24	2
590A2335V	B.05.02.L20004_0	4	1	590A3081	A.01.02.L20003_0	1	1	59900053	Y.01.05.L20003_0	25	3
590A2339V	B.09.01.L20004_0	2	1	590A3082	A.05.01.L20003_0	19	1		Y.01.05.L20003_1	25	3

SPARE PARTS INSTANCE INDEX

Code	Parts Table	Pos.	Q.ty	Code	Parts Table	Pos.	Q.ty	Code	Parts Table	Pos.	Q.ty
59900053	Y.01.07.L20003_0	26	3	59900389	Y.01.01.L20003_0	46	1	59900561	Y.01.05.L20003_1	7	4
59900054	Y.01.05.L20003_0	24	1	59900393	Y.01.01.L20003_0	43	1		Y.01.07.L20003_0	22	2
	Y.01.05.L20003_1	24	1	59900395	Y.01.05.L20003_0	21	14	59900564	Y.01.01.L20003_0	10	2
	Y.01.07.L20003_0	25	1		Y.01.05.L20003_1	21	14	59900565	Y.01.01.L20003_0	37	1
59900057	Y.01.05.L20003_0	17	1		Y.01.07.L20003_0	20	14	59900566	Y.01.01.L20003_0	38	2
	Y.01.05.L20003_1	17	1	59900396	Y.01.01.L20003_0	52	1	59900567	Y.01.01.L20003_0	23	1
	Y.01.07.L20003_0	33	1	59900397	Y.01.01.L20003_0	7	14	59900576	Y.01.06.L20003_0	21	1
59900058	Y.01.05.L20003_0	16	1	59900398	Y.01.01.L20003_0	19	4		Y.01.06.L20003_1	21	1
	Y.01.05.L20003_1	16	1		Y.01.06.L20003_0	7	14	59900577	Y.01.05.L20003_0	9	1
	Y.01.07.L20003_0	32	1		Y.01.06.L20003_1	7	14		Y.01.05.L20003_1	9	1
59900068	Y.01.05.L20003_0	33	1		Y.01.07.L20003_0	4	8	59900590	Y.01.01.L20003_0	51	1
	Y.01.05.L20003_1	33	1	59900404	Y.01.06.L20003_0	18	4	59900604	Y.01.02.L20003_0	13	1
59900070	Y.01.05.L20003_0	36	1		Y.01.06.L20003_1	18	4	59900606	Y.01.02.L20003_0	14	1
	Y.01.05.L20003_1	36	1		Y.01.07.L20003_0	15	4	59900608	Y.01.02.L20003_0	22	1
59900071	Y.01.05.L20003_0	38	2	59900407	Y.01.02.L20003_0	19	1	59900625	Y.01.02.L20003_0	7	4
59900074	Y.01.02.L20003_0	8	4	59900408	Y.01.02.L20003_0	20	2	59900665	Y.01.05.L20003_0	18	2
	Y.01.06.L20003_0	17	4	59900409	Y.01.02.L20003_0	21	1		Y.01.05.L20003_1	18	2
	Y.01.06.L20003_1	17	4	59900444	Y.01.05.L20003_0	34	1	59900666	Y.01.05.L20003_0	19	3
	Y.01.07.L20003_0	14	4	59900447	Y.01.05.L20003_0	14	2		Y.01.05.L20003_1	19	3
59900075	Y.01.01.L20003_0	35	1		Y.01.05.L20003_1	14	2		Y.01.07.L20003_0	34	3
	Y.01.06.L20003_0	16	2	59900449	Y.01.05.L20003_0	10	1	59900667	Y.01.05.L20003_0	20	2
	Y.01.06.L20003_1	16	2		Y.01.05.L20003_1	10	1		Y.01.05.L20003_1	20	2
	Y.01.07.L20003_0	13	2	59900455	Y.01.05.L20003_0	47	8		Y.01.07.L20003_0	35	2
59900102	Y.01.02.L20003_0	6	4		Y.01.05.L20003_1	47	8	59900668	Y.01.05.L20003_0	31	1
	Y.01.02.L20003_0	9	4	59900459	Y.01.05.L20003_0	30	1		Y.01.05.L20003_1	31	1
59900103	Y.01.02.L20003_0	4	4		Y.01.05.L20003_1	30	1	59900669	Y.01.05.L20003_0	26	1
59900106	Y.01.01.L20003_0	36	4	59900463	Y.01.05.L20003_0	8	2		Y.01.05.L20003_1	26	1
59900107	Y.01.02.L20003_0	23	1		Y.01.05.L20003_1	8	2		Y.01.07.L20003_0	27	1
59900108	Y.01.01.L20003_0	34	2	59900466	Y.01.01.L20003_0	49	2	59900670	Y.01.05.L20003_0	27	1
59900109	Y.01.01.L20003_0	45	1	59900469	Y.01.05.L20003_1	60	2		Y.01.05.L20003_1	27	1
	Y.01.02.L20003_0	12	4		Y.01.06.L20003_0	20	2		Y.01.07.L20003_0	28	1
59900381	Y.01.01.L20003_0	17	2		Y.01.06.L20003_1	20	2	59900671	Y.01.05.L20003_0	28	1
59900383	Y.01.01.L20003_0	18	4	59900477	Y.01.01.L20003_0	50	2		Y.01.05.L20003_1	28	1
59900388	Y.01.01.L20003_0	48	1	59900561	Y.01.05.L20003_0	7	4		Y.01.07.L20003_0	29	1



SPARE PARTS INSTANCE INDEX

Code	Parts Table	Pos.	Q.ty	Code	Parts Table	Pos.	Q.ty	Code	Parts Table	Pos.	Q.ty
59900672	Y.01.05.L20003_0	29	1	59900752	Y.01.06.L20003_0	13	1	59905131	Y.01.01.L20003_0	5	1
	Y.01.05.L20003_1	29	1		Y.01.06.L20003_1	13	1	59905132	Y.01.01.L20003_0	6	6
	Y.01.07.L20003_0	30	1		Y.01.07.L20003_0	10	1	59905133	Y.01.01.L20003_0	8/1	1
59900676	Y.01.01.L20003_0	24/1	1	59900773	Y.01.01.L20003_0	15	2	59905134	Y.01.01.L20003_0	8/2	1
59900677	Y.01.01.L20003_0	24/2	1	59900782	Y.01.01.L20003_0	30	1	59905135	Y.01.01.L20003_0	22	1
59900686	Y.01.05.L20003_0	45	4	59900787	Y.01.01.L20003_0	47	1	59905136	Y.01.01.L20003_0	25	1
	Y.01.05.L20003_1	45	4	59900802	Y.01.02.L20003_0	15	1	59905137	Y.01.01.L20003_0	27	1
59900688	Y.01.05.L20003_0	43	6	59900814	Y.01.02.L20003_0	25	1	59905138	Y.01.01.L20003_0	32	1
	Y.01.05.L20003_1	43	6	59901087	E.03.01.L20004_0	9,1	2	59905139	Y.01.01.L20003_0	39	1
59900697	Y.01.05.L20003_0	5	2	59905006	Y.01.01.L20003_0	9	4	59905140	Y.01.01.L20003_0	40	1
	Y.01.05.L20003_1	5	2		Y.01.05.L20003_0	6	10	59905141	Y.01.01.L20003_0	42	1
59900699	Y.01.05.L20003_0	35	2		Y.01.05.L20003_1	6	10	59905142	Y.01.01.L20003_0	53	2
	Y.01.05.L20003_1	35	2		Y.01.06.L20003_0	33	8		Y.01.06.L20003_0	36	10
59900725	Y.01.01.L20003_0	26	1		Y.01.06.L20003_1	33	8		Y.01.06.L20003_1	36	10
	Y.01.06.L20003_0	5	4		Y.01.07.L20003_0	21	2	59905143	Y.01.02.L20003_0	1	1
	Y.01.06.L20003_1	5	4	59905009	Y.01.06.L20003_0	26	1	59905144	Y.01.02.L20003_0	2	1
59900727	Y.01.06.L20003_0	8	2	59905013	Y.01.06.L20003_0	22	1	59905145	Y.01.02.L20003_0	3	1
	Y.01.06.L20003_1	8	2	59905014	Y.01.06.L20003_0	23	1	59905146	Y.01.02.L20003_0	26	1
	Y.01.07.L20003_0	5	2	59905015	Y.01.06.L20003_0	24	1	59905147	Y.01.07.L20003_0	36	1
59900728	Y.01.06.L20003_0	9	2	59905043	Y.01.02.L20003_0	5	4	59905150	Y.01.07.L20003_0	18	1
	Y.01.06.L20003_1	9	2	59905068	Y.01.05.L20003_0	54	1	59905169	Y.01.05.L20003_0	1	1
	Y.01.07.L20003_0	6	2	59905074	Y.01.05.L20003_0	37	2	59905170	Y.01.05.L20003_0	2	1
59900730	Y.01.06.L20003_0	11	4	59905075	Y.01.05.L20003_0	32	6	59905171	Y.01.05.L20003_0	3	1
	Y.01.06.L20003_1	11	4		Y.01.05.L20003_1	32	6	59905172	Y.01.05.L20003_0	4	1
	Y.01.07.L20003_0	8	4	59905080	Y.01.05.L20003_0	46	4		Y.01.05.L20003_1	4	1
59900731	Y.01.06.L20003_0	38	1		Y.01.05.L20003_1	46	4	59905173	Y.01.05.L20003_0	11	1
	Y.01.06.L20003_1	38	1	59905088	Y.01.05.L20003_0	58	4		Y.01.05.L20003_1	11	1
	Y.01.07.L20003_0	17	1		Y.01.05.L20003_1	58	4	59905174	Y.01.05.L20003_0	12	1
59900750	Y.01.06.L20003_0	6	10		Y.01.07.L20003_0	37	2		Y.01.05.L20003_1	12	1
	Y.01.06.L20003_1	6	10	59905094	Y.01.06.L20003_0	19	4	59905175	Y.01.05.L20003_0	13	1
	Y.01.07.L20003_0	3	4		Y.01.06.L20003_1	19	4		Y.01.05.L20003_1	13	1
59900751	Y.01.06.L20003_0	12	2		Y.01.07.L20003_0	16	4	59905176	Y.01.05.L20003_0	15	1
	Y.01.06.L20003_1	12	2	59905129	Y.01.01.L20003_0	2	1		Y.01.05.L20003_1	15	1
	Y.01.07.L20003_0	9	2	59905130	Y.01.01.L20003_0	4	1		Y.01.07.L20003_0	31	1

SPARE PARTS INSTANCE INDEX

Code	Parts Table	Pos.	Q.ty	Code	Parts Table	Pos.	Q.ty	Code	Parts Table	Pos.	Q.ty
59905177	Y.01.05.L20003_0	39	1	59905198	Y.01.06.L20003_0	10	2	59905240	Y.01.05.L20003_1	48	1
59905178	Y.01.05.L20003_0	40	1		Y.01.06.L20003_1	10	2	59905241	Y.01.05.L20003_1	49	1
	Y.01.05.L20003_1	40	1		Y.01.07.L20003_0	7	2	59905242	Y.01.05.L20003_1	50	1
59905179	Y.01.05.L20003_0	41	1	59905199	Y.01.06.L20003_0	14	2	59905243	Y.01.05.L20003_1	51	1
	Y.01.05.L20003_1	41	1		Y.01.06.L20003_1	14	2	59905244	Y.01.05.L20003_1	52	1
59905180	Y.01.05.L20003_0	42	1		Y.01.07.L20003_0	11	2	59905245	Y.01.05.L20003_1	53	1
	Y.01.05.L20003_1	42	1	59905200	Y.01.06.L20003_0	27	1	59905246	Y.01.05.L20003_1	54	1
59905181	Y.01.05.L20003_0	44	1		Y.01.06.L20003_1	27	1	59905247	Y.01.05.L20003_1	55	1
	Y.01.05.L20003_1	44	1	59905201	Y.01.06.L20003_0	28	1	59905248	Y.01.05.L20003_1	56	1
59905182	Y.01.05.L20003_0	48	1		Y.01.06.L20003_1	28	1	59905249	Y.01.05.L20003_1	59	1
59905183	Y.01.05.L20003_0	49	1	59905202	Y.01.06.L20003_0	29	1	59905250	Y.01.05.L20003_1	64	1
59905184	Y.01.05.L20003_0	50	1		Y.01.06.L20003_1	29	1	59905251	Y.01.05.L20003_1	65	1
59905185	Y.01.05.L20003_0	51	1	59905203	Y.01.06.L20003_0	30	1	59905252	Y.01.05.L20003_1	3	1
59905186	Y.01.05.L20003_0	52	1		Y.01.06.L20003_1	30	1	59905253	Y.01.06.L20003_1	22	1
59905187	Y.01.05.L20003_0	53	1	59905204	Y.01.06.L20003_0	31	1	59905254	Y.01.06.L20003_1	23	1
59905188	Y.01.05.L20003_0	55	1		Y.01.06.L20003_1	31	1	59905255	Y.01.06.L20003_1	24	1
59905189	Y.01.05.L20003_0	56	1	59905205	Y.01.06.L20003_0	32	2	59905256	Y.01.06.L20003_1	25	1
59905190	Y.01.05.L20003_0	57	1		Y.01.06.L20003_1	32	2	59905257	Y.01.06.L20003_1	26	1
	Y.01.05.L20003_1	57	1	59905206	Y.01.06.L20003_0	34a	1	59905258	Y.01.05.L20003_1	62	1
59905191	Y.01.06.L20003_0	1a	1		Y.01.06.L20003_1	34a	1	59905259	Y.01.05.L20003_1	63	1
	Y.01.06.L20003_1	1a	1	59905207	Y.01.06.L20003_0	34b	1	59905324	Y.01.01.L20003_0	1	1
59905192	Y.01.06.L20003_0	1b	1		Y.01.06.L20003_1	34b	1	59905325	Y.01.01.L20003_0	1/1	1
	Y.01.06.L20003_1	1b	1	59905208	Y.01.06.L20003_0	35	2	59905326	Y.01.01.L20003_0	3	1
59905193	Y.01.06.L20003_0	2	1		Y.01.06.L20003_1	35	2	59921000	A.01.01.L20003_0	7	1
	Y.01.06.L20003_1	2	1	59905209	Y.01.07.L20003_0	19	1	59921001	A.01.01.L20003_0	16	1
59905194	Y.01.06.L20003_0	3a	1	59905210	Y.01.06.L20003_0	37	6	F0190018909	E.02.01.L20003_0	2	1
	Y.01.06.L20003_1	3a	1		Y.01.06.L20003_1	37	6	F0256808000	A.05.01.L20003_0	16	1
59905195	Y.01.06.L20003_0	3b	1	59905211	Y.01.07.L20003_0	1	1		A.05.01.L20003_1	16	1
	Y.01.06.L20003_1	3b	1	59905234	Y.01.05.L20003_1	1	1	F0800056050	D.02.02.L20003_0	6	1
59905196	Y.01.06.L20003_0	4a	1	59905235	Y.01.05.L20003_1	2	1	F0801050000	M.02.01.L20004_0	27	4
	Y.01.06.L20003_1	4a	1	59905236	Y.01.05.L20003_1	34	1		T.01.03.L20003_0	31	2
59905197	Y.01.06.L20003_0	4b	1	59905237	Y.01.05.L20003_1	37	2	F0801095000	D.06.01.L20003_0	17	1
	Y.01.06.L20003_1	4b	1	59905238	Y.01.05.L20003_1	38	1	F0801116050	D.16.02.L20004_0	17	1
	Y.01.07.L20003_0	2	1	59905239	Y.01.05.L20003_1	39	1	F0801156050	D.02.02.L20003_0	3	2

SPARE PARTS INSTANCE INDEX

Code	Parts Table	Pos.	Q.ty	Code	Parts Table	Pos.	Q.ty	Code	Parts Table	Pos.	Q.ty
F0801175050	D.01.01.L20003_0	26	2	F0810510000	D.05.01.L20004_0	33	4	F0814794000	B.03.01.L20003_0	9	2
F0801175500	D.14.01.L20003_0	9	1		D.06.01.L20003_0	12	1	F0817500470	D.10.01.L20004_0	4	3
F0801241010	D.02.01.L20004_0	30	2	F0812525100	D.14.01.L20003_0	7	1	F0817640003	D.10.01.L20004_0	28	3
	D.07.01.L20003_0	1	1	F0812578050	D.02.02.L20003_0	2	2	F0819180080	D.02.01.L20004_0	25	2
F0801244080	D.14.01.L20003_0	12	1	F0812599090	D.14.01.L20003_0	8	1	F0822537050	D.03.01.L20004_0	3	2
F0801264050	D.15.01.L20003_0	21	2	F0812686100	D.08.01.L20003_0	14	1		D.05.01.L20004_0	5	3
F0801266000	D.07.01.L20003_0	14	4	F0812689050	D.15.01.L20003_0	25	1	F0824022000	F.04.01.L20003_0	27	1
F0801266050	D.07.01.L20003_0	8	2	F0812705000	C.01.01.L20003_0	23	4	F0824110000	F.02.01.L20003_0	20	6
F0801280100	D.08.01.L20003_0	9	1	F0812732080	D.08.01.L20003_0	16	1		L.02.01.L20004_0	31	15
F0801282000	L.02.01.L20004_0	22	4	F0812736010	D.07.01.L20003_0	15	1	F0824113000	F.02.01.L20003_0	13	4
F0801297050	D.14.01.L20003_0	24	2		D.15.01.L20003_0	7	1		L.02.01.L20004_0	27	2
	L.01.01.L20003_0	13	2	F0812737000	D.07.01.L20003_0	5	2	F0824141000	L.02.01.L20004_0	44	2
	M.01.01.L20003_0	13	2	F0812750000	D.07.01.L20003_0	2	1	F0825115010	B.08.01.L20003_0	23	1
F0801331000	D.15.01.L20003_0	23	1	F0812810101	D.08.01.L20003_0	1	2	F0825400060	B.08.01.L20003_0	22	1
F0801331050	C.02.01.L20003_0	15	1	F0812810102	D.08.01.L20003_0	1	2	F0825403050	B.08.01.L20003_0	27	1
	D.07.01.L20003_0	19	1	F0812871030	D.08.01.L20003_0	21	2	F0825414000	B.05.02.L20004_0	30	1
F0801346000	D.12.01.L20003_0	6	2	F0812895000	C.01.01.L20003_0	18	2	F0825416000	E.03.01.L20004_0	15	2
F0801346200	D.07.01.L20003_0	12	1	F0812899000	D.14.01.L20003_0	5	2	F0825417000	E.02.01.L20003_0	8	1
F0801408000	D.02.01.L20004_0	4	4	F0812918050	D.08.01.L20003_0	13	1	F0825438000	E.03.01.L20004_0	4	1
F0802088050	D.02.01.L20004_0	27	1	F0812951200	D.14.01.L20003_0	19	1	F0825480100	E.02.01.L20003_0	1	1
F0802119050	C.01.01.L20003_0	20	2	F0812973000	D.12.01.L20003_0	2	4	F0825488000	D.05.01.L20004_0	36	1
F0802187050	D.02.01.L20004_0	2	1	F0814547000	B.02.01.L20003_0	17	4	F0825493000	E.03.01.L20004_0	14	1
F0802190010	D.01.01.L20003_0	8	1		B.03.01.L20003_0	28	8	F0825500210	B.08.01.L20003_0	20	1
F0802228005	D.14.01.L20003_0	25	1		B.03.02.L20003_0	19	8	F0825980030	L.02.01.L20004_0	45	2
F0802700150	D.12.01.L20003_0	1	2		B.05.02.L20004_0	33	8	F0826016000	T.01.02.L20003_0	22	2
F0803072050	F.04.01.L20003_0	4	1		F.02.01.L20003_0	10	2		T.01.03.L20003_0	26	4
F0803186000	D.04.01.L20003_0	5	4	F0814621000	C.01.01.L20003_0	28	2	F0826056000	C.02.01.L20003_0	9	2
F0803199010	D.14.01.L20003_0	28	1						L.01.01.L20003_0	9	1
	F.04.01.L20003_0	3	1	F0814627000	D.03.01.L20004_0	10	2		M.01.01.L20003_0	9	1
F0806533000	D.03.01.L20004_0	17	1						T.01.03.L20003_0	3	2
	D.05.01.L20004_0	12	1	F0814647000	A.01.01.L20003_0	27	2				
F0810510000	D.03.01.L20004_0	6	2								
	D.04.01.L20003_0	8	2		C.01.01.L20003_0	6	2				
	D.05.01.L20004_0	19	2								
					C.02.01.L20003_0	8	6	F0828468050	D.16.02.L20004_0	19	1
				F0814689050	D.02.01.L20004_0	7	1	F0831065000	B.01.01.L20003_0	7	1
				F0814695000	C.03.01.L20003_0	5	14	F0835023000	L.02.01.L20004_0	42	1
				F0814744050	D.16.02.L20004_0	29	1	F0835040000	L.02.01.L20004_0	43	2

SPARE PARTS INSTANCE INDEX

Code	Parts Table	Pos.	Q.ty	Code	Parts Table	Pos.	Q.ty	Code	Parts Table	Pos.	Q.ty
F0838475000	C.01.01.L20003_0	5	2	F0843643060	A.05.01.L20003_0	26	1	F0843755000	D.05.01.L20004_0	23	4
	C.02.01.L20003_0	7	2		A.05.01.L20003_1	26	1		D.06.01.L20003_0	36	1
F0838535050	C.02.01.L20003_0	6	4		A.06.01.L20003_0	4	1		D.16.02.L20004_0	36	1
F0838660000	C.03.01.L20003_0	13	8		B.02.01.L20003_0	11	2		E.02.01.L20003_0	5	1
F0838660100	C.03.01.L20003_0	14	6		B.02.01.L20003_0	22	2		E.02.01.L20003_0	11	1
F0842505030	L.02.01.L20004_0	28	1		B.03.01.L20003_0	20	6		L.02.01.L20004_0	12	2
F0843107000	F.04.01.L20003_0	23	1		B.03.01.L20003_0	35	6		T.01.01.L20003_0	9	6
	L.02.01.L20004_0	38	2		B.03.02.L20003_0	11			T.01.02.L20003_0	9	6
F0843109020	L.02.01.L20004_0	30	6		B.03.02.L20003_0	33	6		T.01.03.L20003_0	5	2
F0843526000	B.08.01.L20003_0	16	4		B.05.02.L20004_0	17	8		T.01.03.L20003_0	13	6
	F.04.01.L20003_0	6	1		B.09.01.L20004_0	44	2		U.01.01.L20003_0	3	2
F0843561000	A.02.01.L20004_0	27	1		B.09.02.L20005_0	44	2		U.01.01.L20003_0	22	1
	E.03.01.L20004_0	18	3		D.02.01.L20004_0	1	2	F0843771000	F.04.01.L20003_0	16	4
	T.01.03.L20003_0	34	4		D.03.01.L20004_0	16	2		M.02.01.L20004_0	26	1
F0843570000	A.02.01.L20004_0	20	2		D.05.01.L20004_0	9	3	F0843843060	A.01.02.L20003_0	18	13
	A.02.01.L20004_0	24	1		D.06.01.L20003_0	14	2		B.01.01.L20003_0	23	16
	A.03.01.L20003_0	20	6		D.14.01.L20003_0	36	2		B.05.02.L20004_0	3	4
	B.01.01.L20003_0	19	2		D.16.02.L20004_0	3	3		B.05.02.L20004_0	11	2
	B.02.01.L20003_0	14	4		F.02.01.L20003_0	5	4		B.09.02.L20005_0	37	2
	B.05.02.L20004_0	25	8		L.02.01.L20004_0	5	3		U.01.01.L20003_0	5	4
	C.02.01.L20003_0	18	1		M.02.01.L20004_0	3	6		U.01.01.L20003_0	8	4
	D.03.01.L20004_0	13	2		T.01.03.L20003_0	37	2	F0843907000	F.04.01.L20003_0	24	2
	D.16.02.L20004_0	34	1	F0843696000	A.05.01.L20003_0	25	2		L.02.01.L20004_0	39	4
	F.04.01.L20003_0	12	2		A.05.01.L20003_1	25	2	F0843921030	U.01.01.L20003_0	16	2
	L.02.01.L20004_0	24	3	F0843708110	B.03.01.L20003_0	31	6	F0843948000	F.04.01.L20003_0	15	1
	M.02.01.L20004_0	16	3		B.03.02.L20003_0	20			L.01.01.L20003_0	28	1
	T.01.01.L20003_0	21	1	F0843755000	A.01.01.L20003_0	9	3		M.01.01.L20003_0	28	1
	T.01.02.L20003_0	19	2		A.01.02.L20003_0	21	1	F0844030070	D.16.02.L20004_0	26	1
	T.01.02.L20003_0	29	2		A.03.01.L20003_0	18	4	F0844150000	T.01.03.L20003_0	39	2
F0843641000	D.14.01.L20003_0	30	1		A.05.01.L20003_0	13	4	F0844200050	F.04.01.L20003_0	8	1
F0843643060	A.01.01.L20003_0	6	2		A.05.01.L20003_1	13	4	F0844273090	C.01.01.L20003_0	9	1
	A.01.01.L20003_0	15	2		B.01.01.L20003_0	29	2		D.12.01.L20003_0	15	2
	A.01.02.L20003_0	3	3		B.08.01.L20003_0	7	4	F0844283050	T.01.02.L20003_0	30	4
	A.02.01.L20004_0	12	2		B.09.02.L20005_0	40	4	F0847434000	D.10.01.L20004_0	22	5

SPARE PARTS INSTANCE INDEX

Code	Parts Table	Pos.	Q.ty	Code	Parts Table	Pos.	Q.ty	Code	Parts Table	Pos.	Q.ty
F0847434000	D.16.02.L20004_0	10	1	F0862448100	D.14.01.L20003_0	29	1	P000000309112	M.02.01.L20004_0	30	2
F0849500001	A.05.01.L20003_0	1.1	1		F.04.01.L20003_0	26	1	P238105000000	B.08.01.L20003_0	5	1
	A.05.01.L20003_1	1.1	1		F.04.01.L20003_0	28	1	P241171000000	L.02.01.L20004_0	34	1
F0849500002	A.05.01.L20003_0	1.2	1	F0862479020	B.03.01.L20003_0	32	2	P254124000000	F.04.01.L20003_0	22	7
	A.05.01.L20003_1	1.2	1		B.03.02.L20003_0	30	2	P439149000000	B.03.01.L20003_0	7	2
F0851180000	D.10.01.L20004_0	17	5		B.05.02.L20004_0	15	4	P453524010000	D.04.01.L20003_0	14	2
F0851226000	D.15.01.L20003_0	31	1		B.09.01.L20004_0	3	4	P470330000000	D.14.01.L20003_0	31	1
F0851262000	D.05.01.L20004_0	25	1		B.09.01.L20004_0	45	2	P470433000000	D.14.01.L20003_0	32	1
F0851486000	L.01.01.L20003_0	22	1		B.09.02.L20005_0	3	4	P917280000000	B.03.01.L20003_0	6	2
	M.01.01.L20003_0	22	1		B.09.02.L20005_0	45	2				
	T.01.01.L20003_0	15	4	F0862479040	A.01.01.L20003_0	23	2				
	T.01.02.L20003_0	15	6	F0862655000	D.12.01.L20003_0	13	6				
	T.01.03.L20003_0	42	4	F0862657000	D.01.01.L20003_0	3	1				
F0852538010	C.02.01.L20003_0	2	1	F0862785000	B.09.01.L20004_0	31	1				
F0852550100	L.02.01.L20004_0	18	2		B.09.02.L20005_0	31	1				
F0852550200	L.02.01.L20004_0	46/5	1	F0863105000	D.10.01.L20004_0	21	2				
F0852550210	L.02.01.L20004_0	46/3	1	F0863208050	B.09.01.L20004_0	12	4				
F0852550220	L.02.01.L20004_0	46/2	1		B.09.02.L20005_0	12	4				
F0852550230	L.02.01.L20004_0	46/1	1	F0863267050	C.01.01.L20003_0	37	8				
F0852550240	L.02.01.L20004_0	46/4	1		C.03.01.L20003_0	11	16				
F0852578060	D.15.01.L20003_0	1,1	2		D.01.01.L20003_0	14	8				
F0860091010	D.05.01.L20004_0	31	2	F0863311250	C.01.01.L20003_0	33	1				
F0861867050	E.01.01.L20003_0	4	16	F0863358050	C.01.01.L20003_0	34	7				
F0861929060	B.03.02.L20003_0	26		F0863359000	C.02.01.L20003_0	5	2				
F0861934060	B.03.02.L20003_0	29			L.01.01.L20003_0	7	4				
F0861941000	E.03.01.L20004_0	5	3		M.01.01.L20003_0	7	4				
F0861973100	B.09.01.L20004_0	15	4	F0863449000	D.05.01.L20004_0	21	2				
	B.09.02.L20005_0	15	4	F0863493000	A.01.01.L20003_0	26	2				
	L.02.01.L20004_0	15	8	F0863925000	U.01.01.L20003_0	7	4				
F0862090000	D.12.01.L20003_0	8	6	F0864377000	B.03.01.L20003_0	8	2				
F0862129000	B.05.02.L20004_0	23	1	F0865040000	B.08.01.L20003_0	1	1				
	L.02.01.L20004_0	23	1	F0865040020	B.08.01.L20003_0	2	1				
F0862345000	F.04.01.L20003_0	11	2	P000000005008	D.10.01.L20004_0	27	4				
F0862443010	M.01.01.L20003_0	37	1	P000000007984	C.02.01.L20003_0	1.2	1				